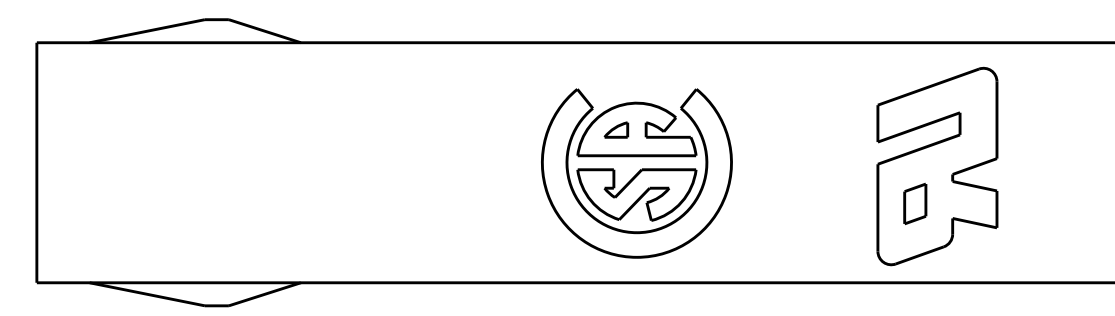
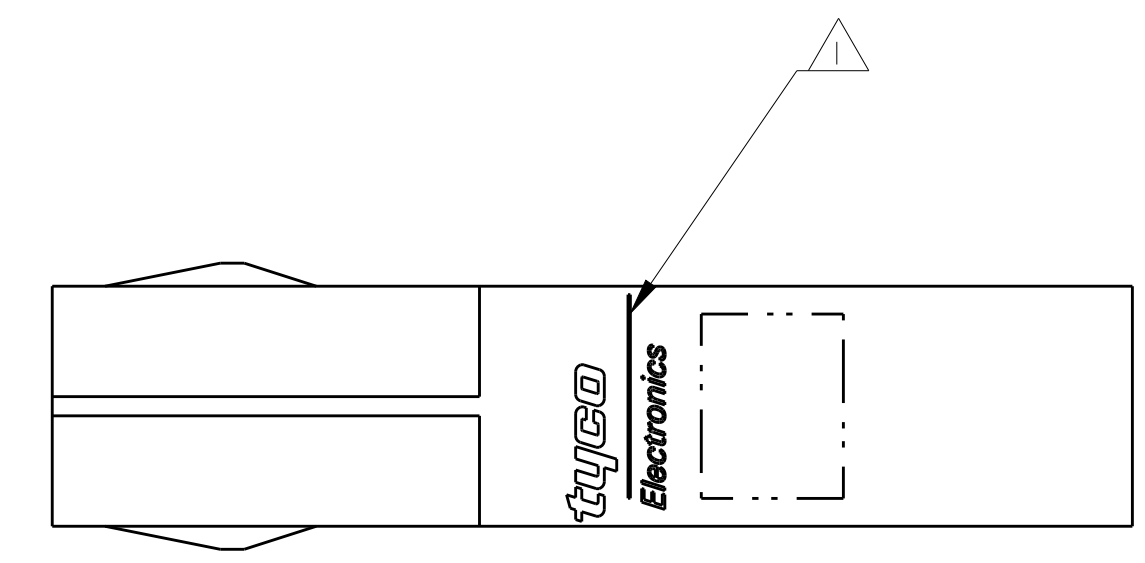
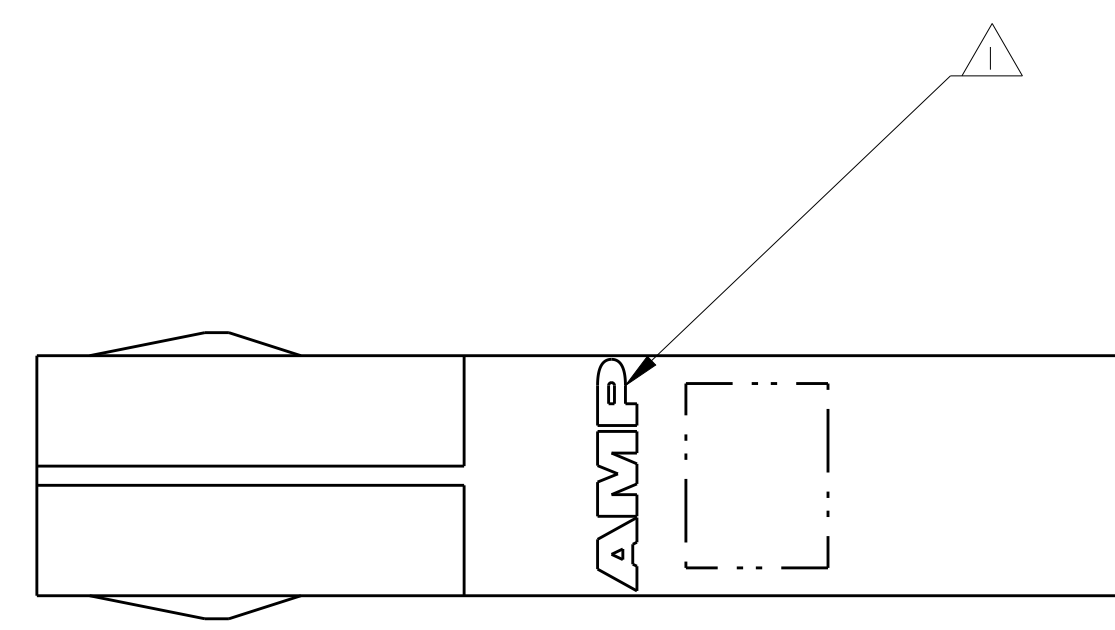
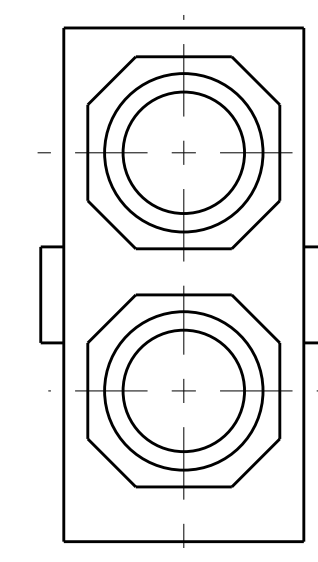
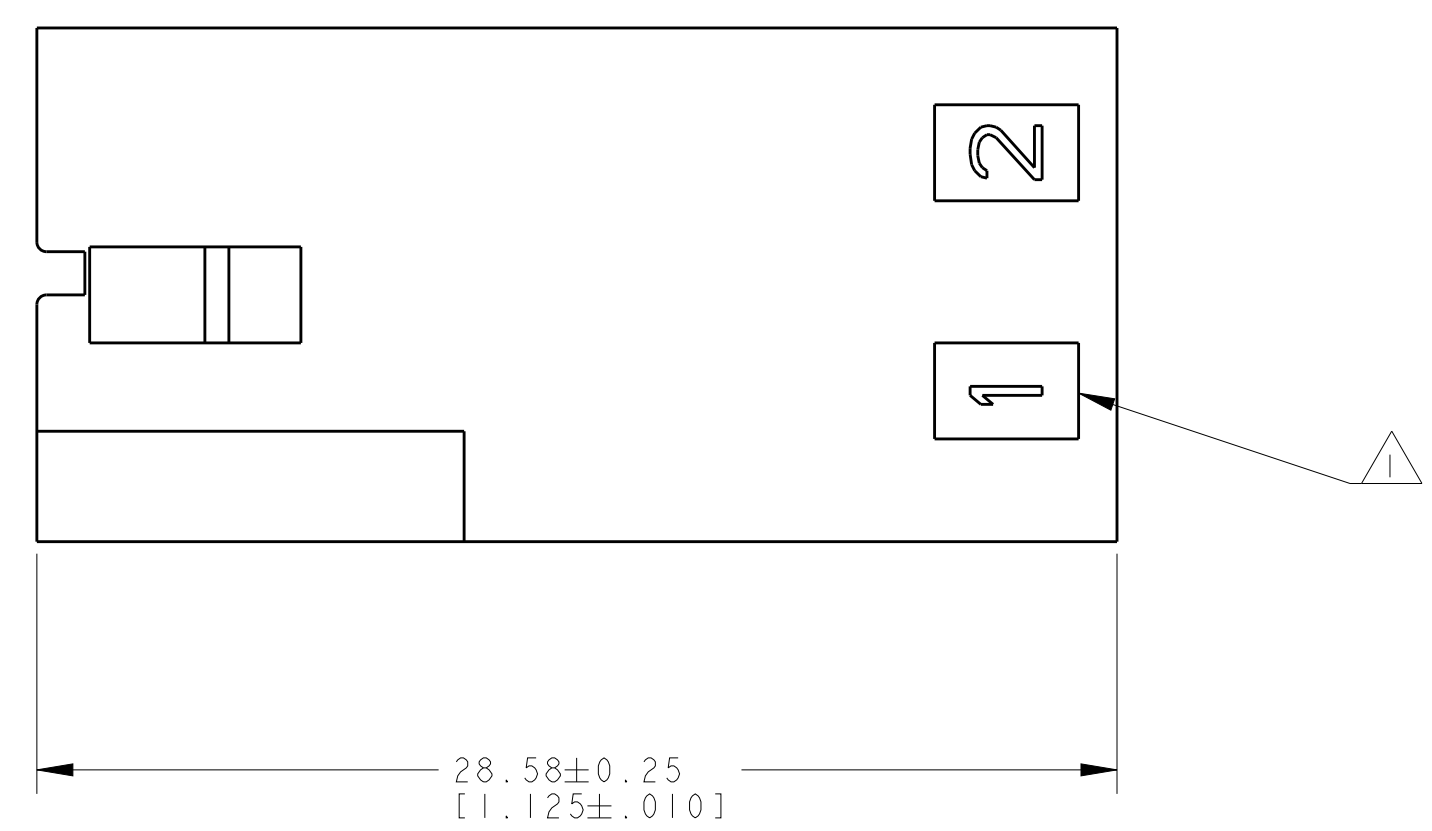
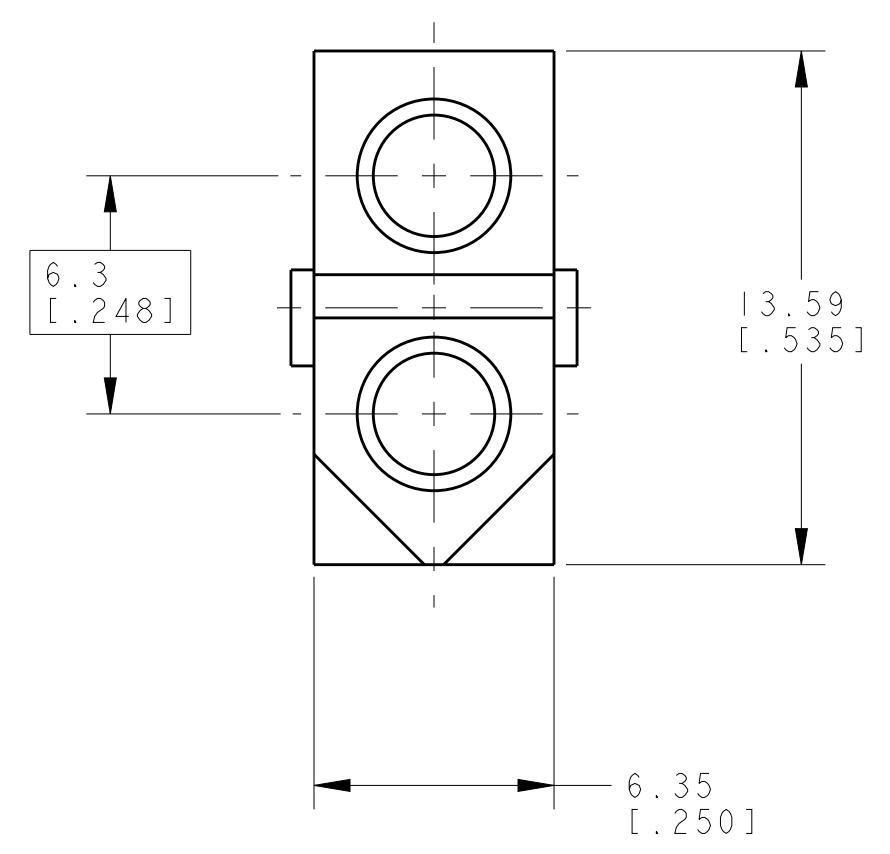


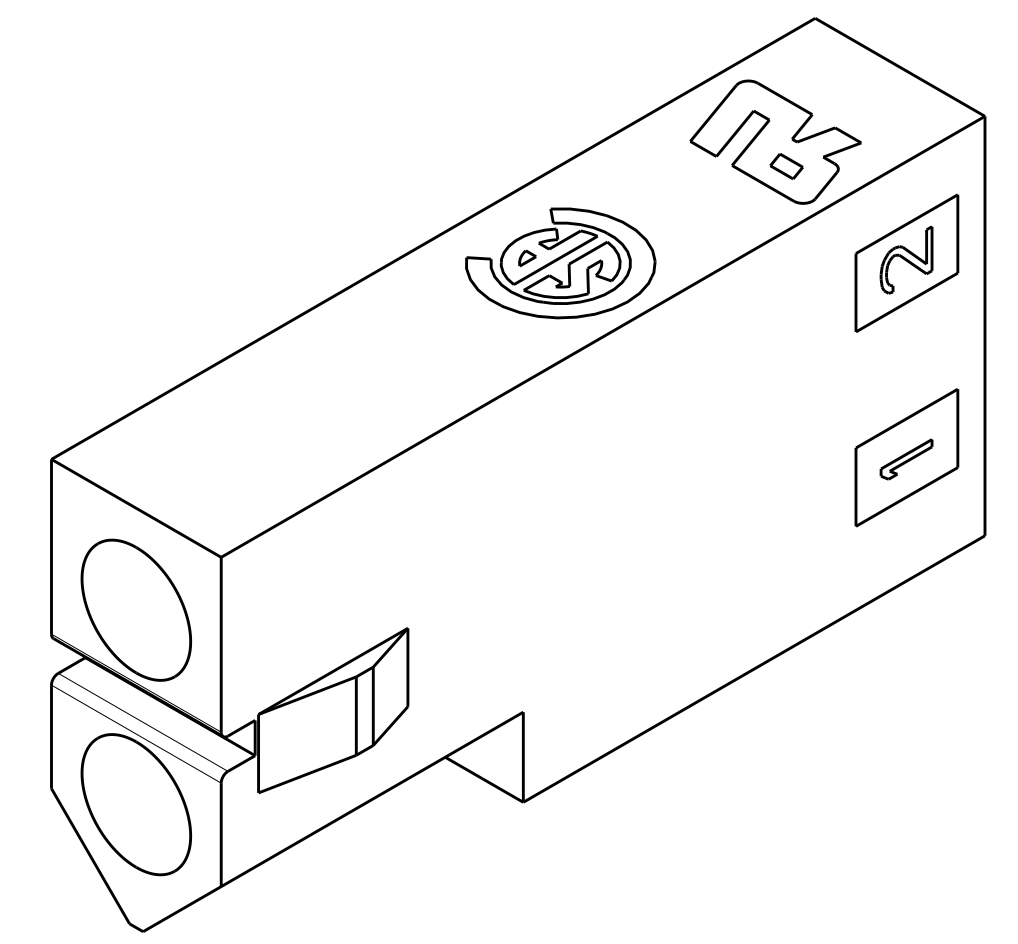
LOC		DIST		REVISIONS			
CM	00	P	LTH	DESCRIPTION	DATE	DWN	APVD
		L2		REVISED PER ECO-12-012443	06JUL2012	KH	SM



- ① AMP OR TYCO ELECTRONICS LOGO AND CIRCUIT NUMBERS LOCATED APPROXIMATELY AS SHOWN.
- ② MATERIAL: NYLON UL 94V-2, NATURAL
- ③ MATERIAL: NYLON UL 94V-0, NATURAL



OPTIONAL CONSTRUCTION



③	770065-2
②	770065-1
	PART NUMBER

METRIC

THIS DRAWING IS A CONTROLLED DOCUMENT.		DWN K. WHITAKER 08DEC2004	NAME STE TE Connectivity
DIMENSIONS: mm [INCHES]		CHK D. COLEY 08DEC2004	
TOLERANCES UNLESS OTHERWISE SPECIFIED:		APVD D. COLEY 08DEC2004	PRODUCT SPEC
0 PLC	±		APPLICATION SPEC
1 PLC	±		SIZE
2 PLC	±0.13 [1.005]		CAGE CODE
3 PLC	±		DRAWING NO
4 PLC	±		RESTRICTED TO
ANGLES	±		
FINISH	±		
MATERIAL NYLON UL 94V-2, NATURAL		WEIGHT	A100779C=770065
		CUSTOMER DRAWING	SCALE 5:1 SHEET 1 OF 1 REV L2