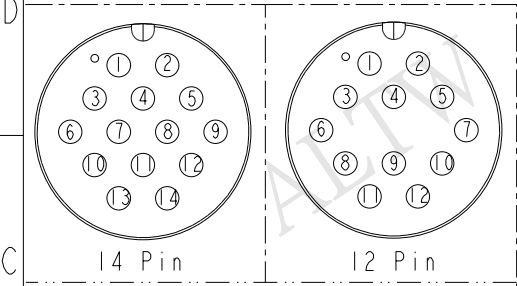
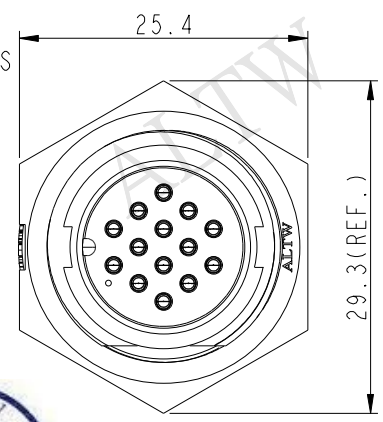
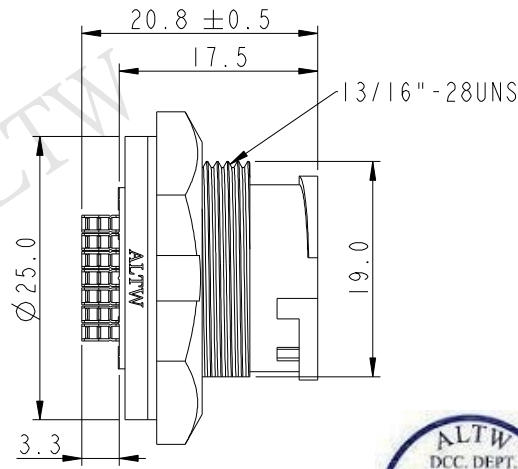
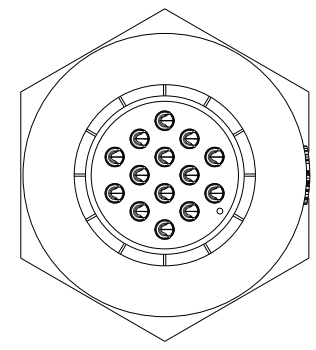
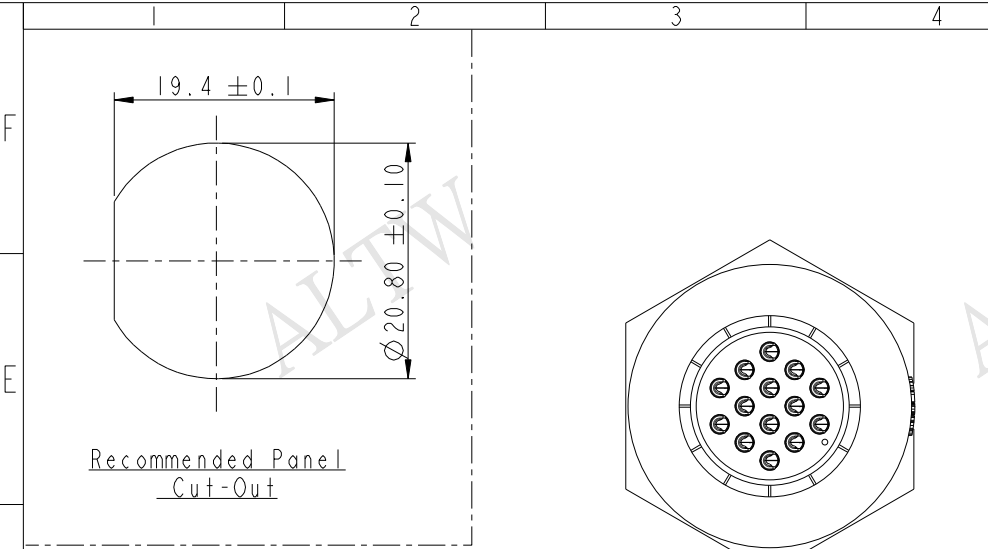
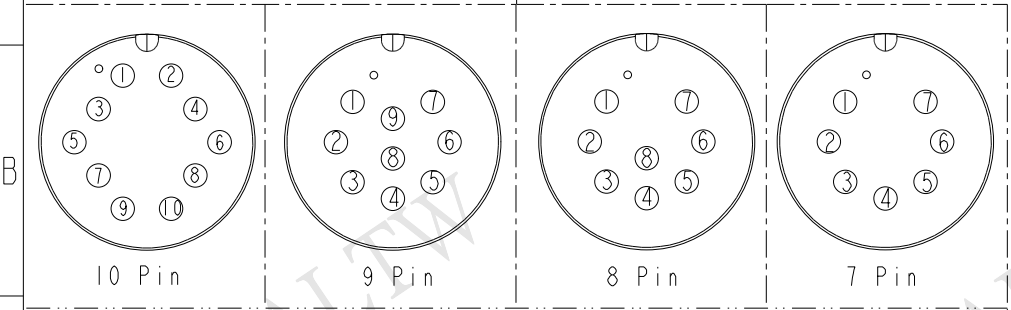


REV.	ECN NO.	DATE	SIGN	DESCRIPTION

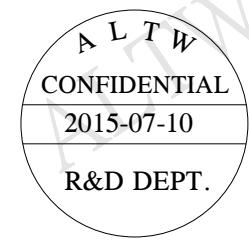
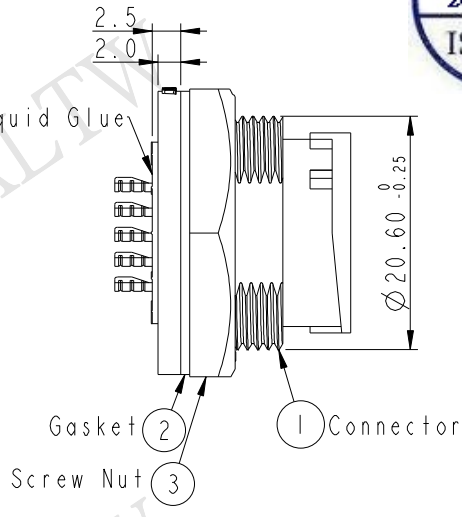


ACD-XXPMS-LC7001  
 07: 7Pin  
 :  
 14: 14Pin

With Liquid Glue



Pin Assignments Front View



- Note:
- \* (CC) Important Dimension To Check.
  - \* Waterproof Rate: IP67
  - \* Housing: Nylon+GF, Black.
  - \* Male Pin: Copper Alloy, Gold Plated
  - \* Screw Nut: Nylon+GF, Black.
  - \* Gasket: Silicone, Gray
  - \* Use with waterproof cap or dust cap  
Maximum Panel Thickness: 2.8mm
  - \* Use without waterproof cap or dust cap  
Maximum Panel Thickness: 4.0mm

UNIT: mm		TITLE	MIDDLE PANEL LOCK M CONN M PIN		
TOLERANCE	.X ±0.25	SCALE	3:2	SIZE	A4
.XX ±0.1	.XXX ±0.05	REV.	A	WC-REV.	A.1
ANGLES ±1°		SHEET 1 OF 1			
		QC: Inspection item			

**Amphenol LTW**  
 安費諾亮泰企業股份有限公司

ITEM NO.	DRAWN BY	DATE
DWG NO.	CHECKED BY	DATE
CUSTOMER	APPROVED BY	DATE
ALTW	Jinhai	2015-07-10
	Rensong	2015-07-10
	Jerry	2015-07-10

THIS DOCUMENT IS SUBJECT TO CHANGE WITHOUT NOTICE. IT IS CONFIDENTIAL AND A PROPERTY OF AMPHENOL LTW. DISCLOSURE TO THIRD PARTY HAS TO BE AUTHORIZED BY AMPHENOL LTW.