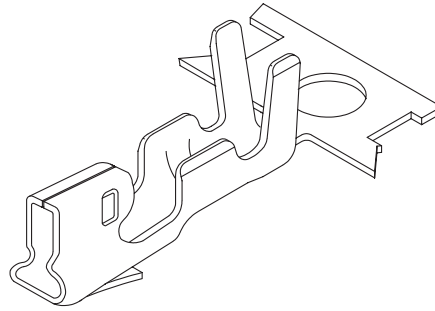




SWT201 Series Crimp Terminal

SPECIFICATIONS

- Material: Phosphor Bronze
- Plating: See Part Number Options
- Contact Resistance: 20 milli Ohms Max
- Current Rating: 1 Amp
- Wire Range: AWG #24 - #28
- Insulation O.D.: Ø1.20mm ~ Ø1.50mm
- Quantity Per Reel = 10,000 Pieces
- Used in SWH201 Series Housing



PART NUMBER OPTIONS

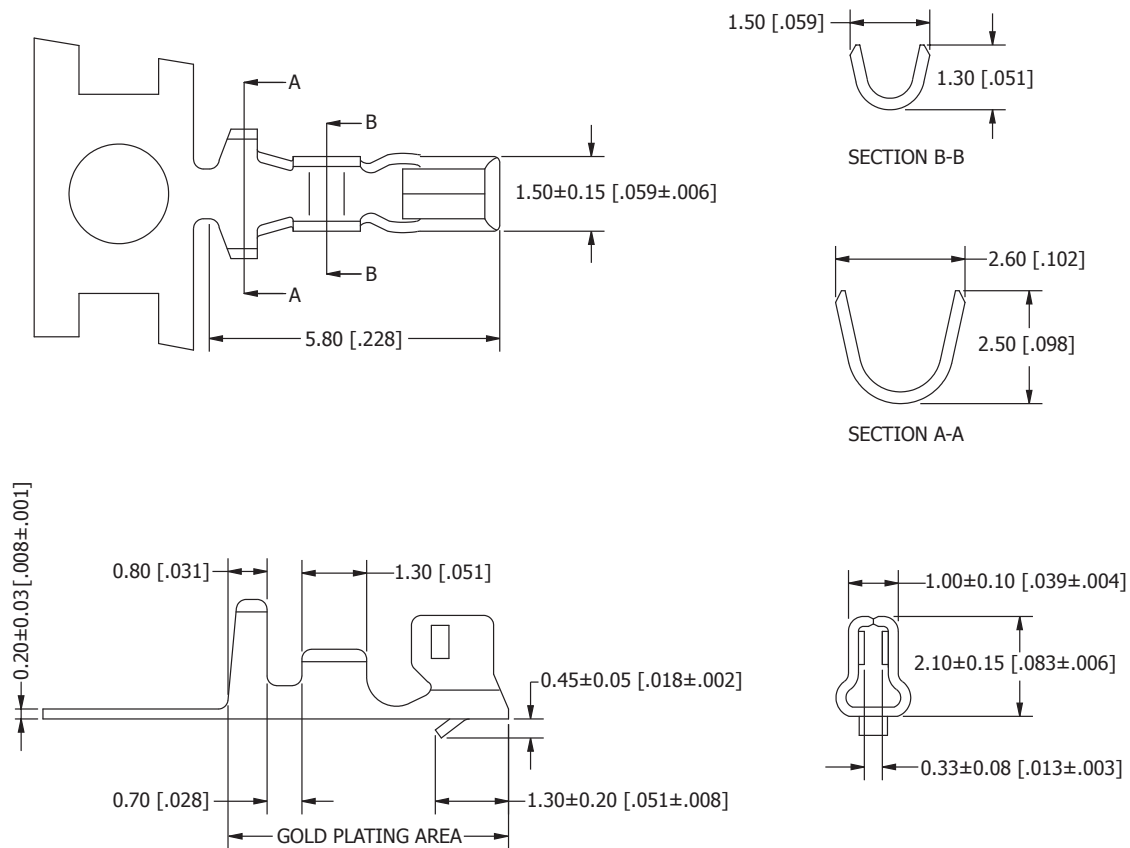
SWT201-UPTN-S01-UU-UU

CONTACT FINISH - RoHS Compliant

T = .000015" Min Nickel Underplate, .000040" Min Pure Tin, Bright Overall

P = .000040" Min Nickel Underplate, Gold Flash Overall

DIMENSIONS Dimensions in [] are in inches, all others are in millimeters.



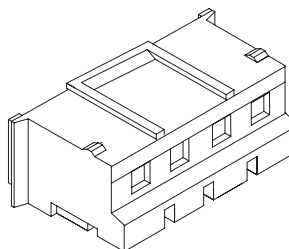
Wafers



SWH201 Series Housing 2.00 mm [.079"] Contact Centers

SPECIFICATIONS

- Insulator Material: Nylon, UL 94V-0 Color: White
- Dielectric Withstanding Voltage: 800 VAC
- Insulator Resistance: 1000 Megohms Minimum
- Operating Temperature: -25°C to +85°C
- Voltage Rating: 125 VAC/DC
- Suitable for SWH201 Series Terminal
- Mates with SWR201 Series Single Row Wafer



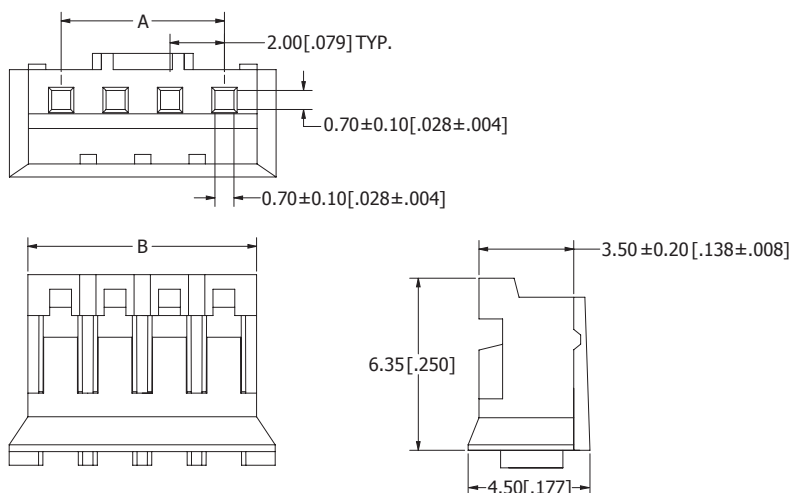
PART NUMBER OPTIONS

SWH201-NULN-S16-UU-WH

NUMBER OF POSITIONS
02 thru 16
See Chart Below

DIMENSIONS

Dimensions in [] are in inches, all others are in millimeters.



| PART NUMBER | POSITIONS/ CONTACTS | A | | B | |
|-----------------------|------------------------|-------|-------|-------|-------|
| | | mm | in | mm | in |
| SWH201-NULN-S02-UU-WH | 02/02 | 2.00 | 0.079 | 4.40 | 0.173 |
| SWH201-NULN-S03-UU-WH | 03/03 | 4.00 | 0.157 | 6.40 | 0.252 |
| SWH201-NULN-S04-UU-WH | 04/04 | 6.00 | 0.236 | 8.40 | 0.331 |
| SWH201-NULN-S05-UU-WH | 05/05 | 8.00 | 0.315 | 10.40 | 0.409 |
| SWH201-NULN-S06-UU-WH | 06/06 | 10.00 | 0.394 | 12.40 | 0.488 |
| SWH201-NULN-S07-UU-WH | 07/07 | 12.00 | 0.472 | 14.40 | 0.567 |
| SWH201-NULN-S08-UU-WH | 08/08 | 14.00 | 0.551 | 16.40 | 0.646 |
| SWH201-NULN-S09-UU-WH | 09/09 | 16.00 | 0.630 | 18.40 | 0.724 |
| SWH201-NULN-S10-UU-WH | 10/10 | 18.00 | 0.709 | 20.40 | 0.803 |
| SWH201-NULN-S11-UU-WH | 11/11 | 20.00 | 0.787 | 22.40 | 0.882 |
| SWH201-NULN-S12-UU-WH | 12/12 | 22.00 | 0.866 | 24.40 | 0.961 |
| SWH201-NULN-S13-UU-WH | 13/13 | 24.00 | 0.945 | 26.40 | 1.039 |
| SWH201-NULN-S14-UU-WH | 14/14 | 26.00 | 1.024 | 28.40 | 1.118 |
| SWH201-NULN-S15-UU-WH | 15/15 | 28.00 | 1.102 | 30.40 | 1.197 |
| SWH201-NULN-S16-UU-WH | 16/16 | 30.00 | 1.181 | 32.40 | 1.276 |