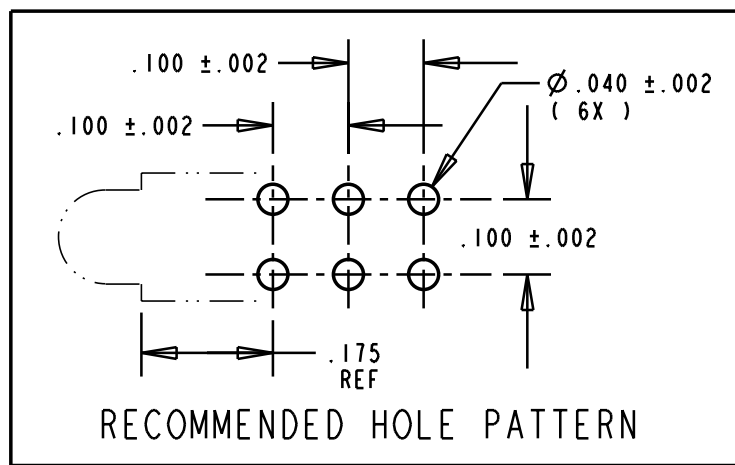
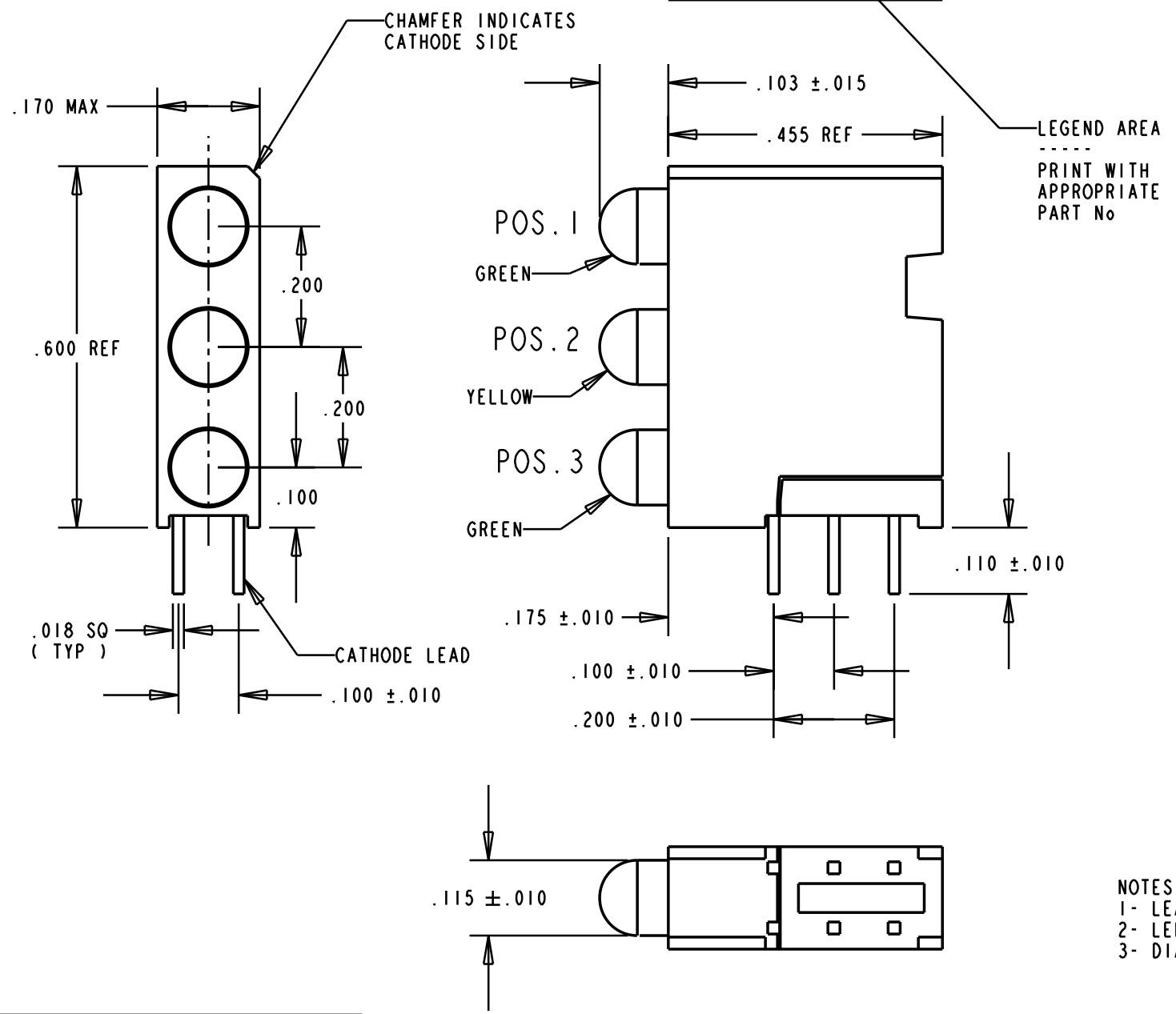
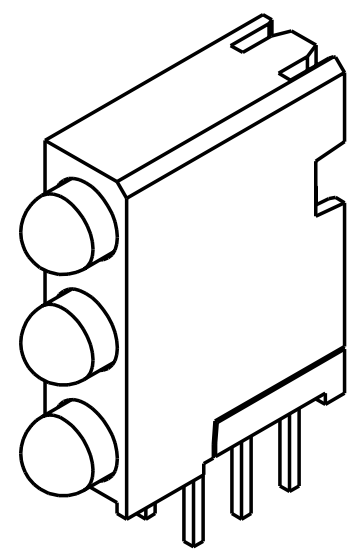
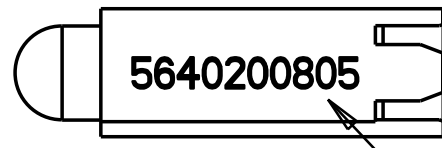


REV.	ECN NO.	REVISIONS	DRN.	CKD.	APP.	DATE
A		NEW RELEASE	DC			



NOTES:
 1- LEADS TO FIT INTO HOLES SPACED AS PER HOLE PATTERN
 2- LED LEAD DIMENSIONS SHOWN ARE MEASURED AT HOUSING EXIT
 3- DIALIGHT PART NO. 564-0200-805

OPERATING CHARACTERISTICS AT 25°C AMBIENT						
CHARACTERISTICS	LED COLOR	MIN	TYP	MAX	UNITS	TEST CONDITIONS
LUMINOUS INTENSITY	YELLOW	1.0	1.6		mcd	I _f = 2 mA
	GREEN	1.0	2.1			
FORWARD VOLTAGE	YELLOW		1.9	2.7	V	I _f = 2 mA
	GREEN		1.8	2.2		
REVERSE VOLTAGE	ALL	5			V	I _r = 50 uA
PEAK WAVELENGTH	YELLOW		583		nm	
	GREEN		565			
VIEWING ANGLE	ALL		50		Degree	

ABSOLUTE MAXIMUM RATING AT 25°C AMBIENT	UNITS	YELLOW	GREEN
TOTAL POWER	mW	36	24
D.C. FORWARD CURRENT	mA	7.0	7.0
LEAD SOLDERING TEMPERATURE, 5 SEC., 1/16" FROM BODY	°C	260	260
OPERATING TEMPERATURE	°C	-55 TO +100	-20 TO +100
STORAGE TEMPERATURE	°C	-55 TO +100	-55 TO +100

THIS DRAWING AND THE CONTENTS HEREIN ARE CONFIDENTIAL AND THE SOLE PROPERTY OF DIALIGHT. REPRODUCTION OF THIS DRAWING OR CONSTRUCTION OF ANY PARTS WITHIN THIS DRAWING ARE FORBIDDEN WITHOUT THE WRITTEN CONSENT OF DIALIGHT.

SCALE 4:1
ALL DIM'S IN: INCHES

TOLERANCES: UNLESS OTHERWISE SPECIFIED
 FRACTIONS: ±1/64
 DECIMALS (.XX): ±.020
 DECIMALS (.XXX): ±.015
 DECIMALS (.XXXX):
 ANGLES: ±1°

FINISH:

FSCM 83330

DRAWING NUMBER	REV
C-16554	A
TITLE STANDARD 3X1 CBI BLOCK	
MATERIAL	
Dialight	1913 ATLANTIC AVE. MANASQUAN, N.J. 08736
SHEET OF	FAMILY TABLE: