

### 83894 metal without locking 838940 3-pole Part number 83894020



- Safety limit switch with tongued key for detecting the moving guard
- Metal bodies and heads
- Heads have 4 possible positions at 90°
- Positive opening contacts

#### Part numbers

	Type	Type of contacts	Action
83 894 020	838940 3-pole	NC+NO+NO (2NO break before make)	Slow action

#### Specifications

##### Environment

Conforming to standards Products	IEC 947-5-1, EN 60 947-5-1, UL 508, CSA C22-2 no.14, JIS C4520 (See P.3/4)
Conforming to standards Machine assemblies	IEC 204-1, EN 60 204-1, EN 1088, EN 2920
Certifications	UL, CSA
Protective treatment in normal operation	"TC"
Temperature Use (°C)	-25 → +70
Storage temperature (°C)	-40 → + 70
Vibration resistance according to IEC/EN 60068-2-6	
Schok resistance according to IEC 28-2-27	
Degree of protection according to IEC 529 and IEC 947-5-1	IP 67
Cable entry	

##### Electrical characteristics

Assigned working characteristics	AC 15 B300 Ue = 240 V, Ie = 1,5 A or Ue = 120 V, Ie = 3 A, DC 13 Q300 Ue = 250 V, Ie = 0,27 A or Ue = 125 V, Ie = 0,55 A
Assigned insulation voltage according to IEC 947-5-1	Ui = 500 V
Assigned insulation voltage according to UL 508, CSA C22-2 no.14	Ui = 300 V
Assigned impulse voltage according to IEC 947-5-1	Uimp = 6 KV
Thermal rating according to IEC 947-5-1	Ithe = 10 A
Electric shock protection Class 2 according to IEC 536	▪
Resistance between terminals according to IEC 954-5-4	≤30 mΩ
Protection against short circuits	Cartridge fuse 10 A gG (gl)
Connection Screw clamp terminals	▪
Clamping capacity with or without ferrule	min. 1 x 0,5 mm <sup>2</sup> , max. 1,5 mm <sup>2</sup>
Electrical life according to IEC 947-5-1 appendix C	

Maximum actuation speed	0,5 m/s
Minimum actuation speed	0,01 m/s
Resistance to removal of key	10 N
Mechanical life (operating cycles)	10 <sup>6</sup>
Minimum operating frequency (operating cycles per hour)	10 <sup>6</sup>
Minimum positive opening force	20 N
Cable entry according to NFC 68 300	1 PG 13
Weight (g)	360

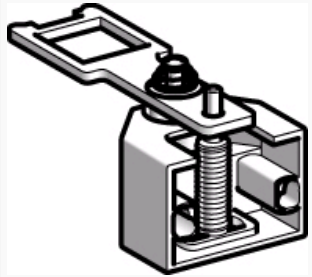
#### Accessories

Symbol	Accessories	Code
	Straight key	79 214 578



Wide key

79 214 579



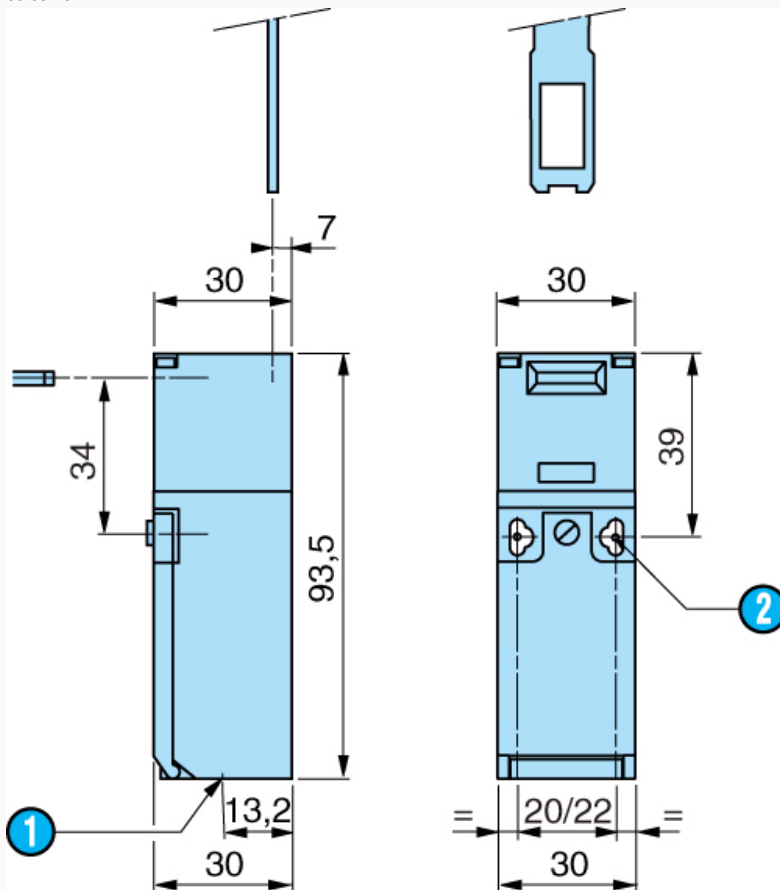
Flexible key

79 214 580

### Dimensions (mm)

#### Product

83 894 0

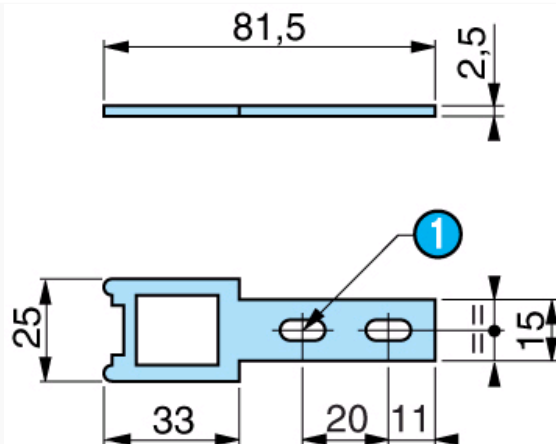


N°	Legend
1	1 threaded hole for cable gland 13
2	2 slots $\varnothing 7.3 \times 5.3$

### Dimensions (mm)

#### Actuators

Straight key  
79 214 578

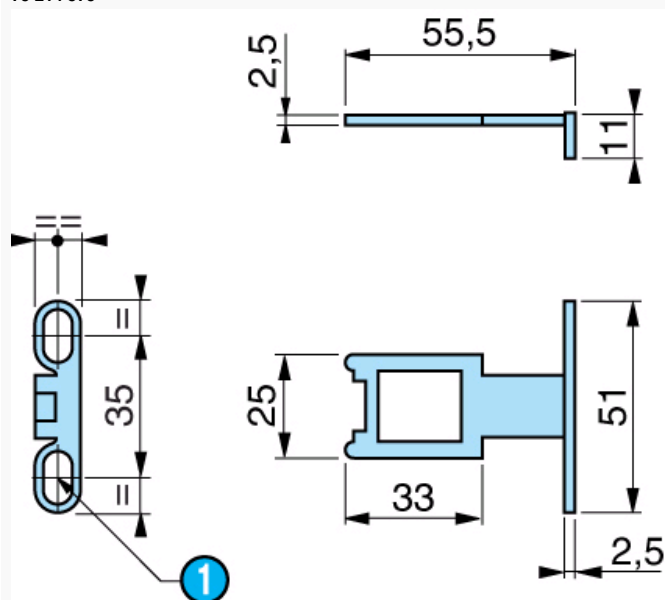


N°	Legend
1	2 slots $\varnothing$ 5.3 x 10

#### Dimensions (mm)

##### Actuators

Wide key  
79 214 579

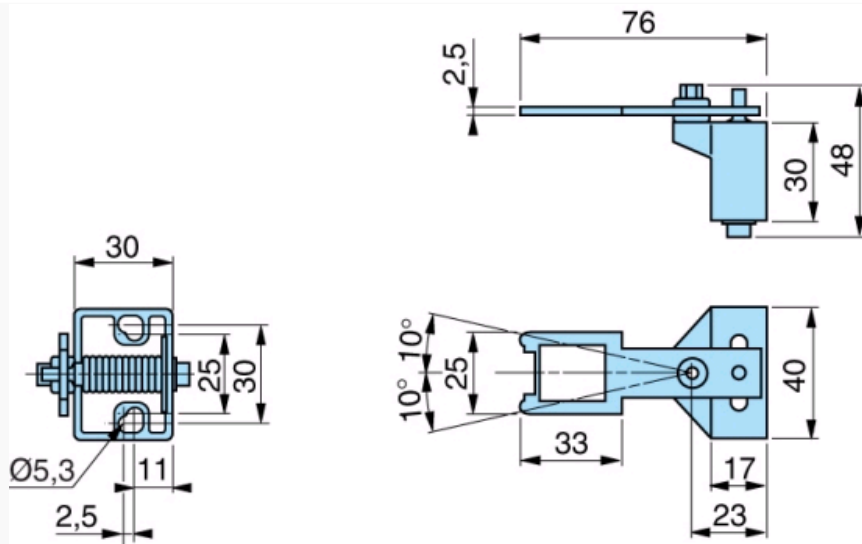


N°	Legend
1	2 slots $\varnothing$ 4.7 x 10

#### Dimensions (mm)

##### Actuators

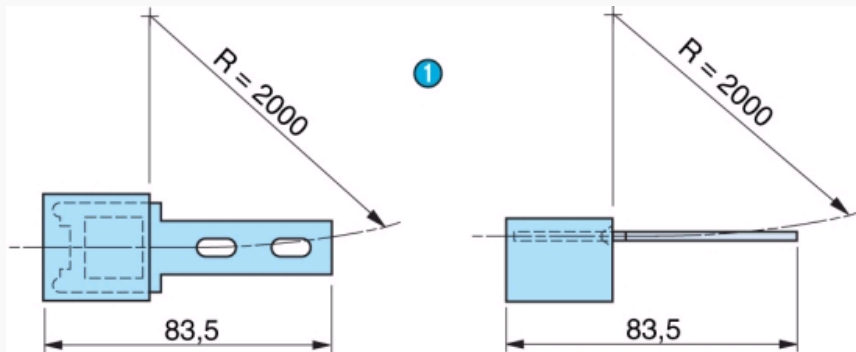
Flexible key  
79 214 580



Dimensions (mm)

Operating radius

79 214 578

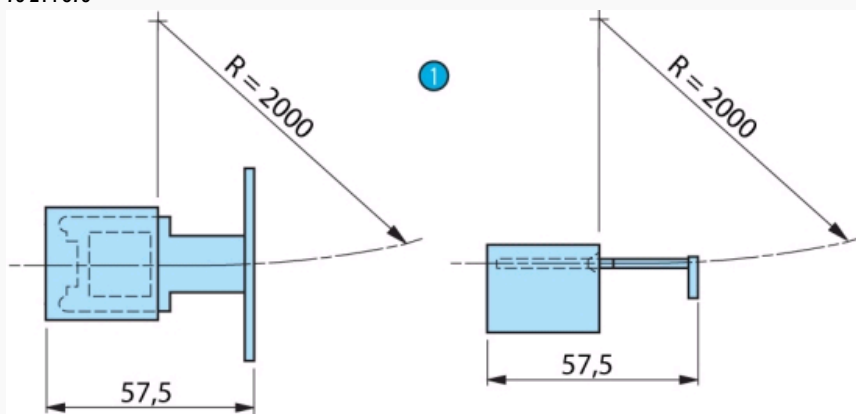


N°	Legend
1	R = min. radius

Dimensions (mm)

Operating radius

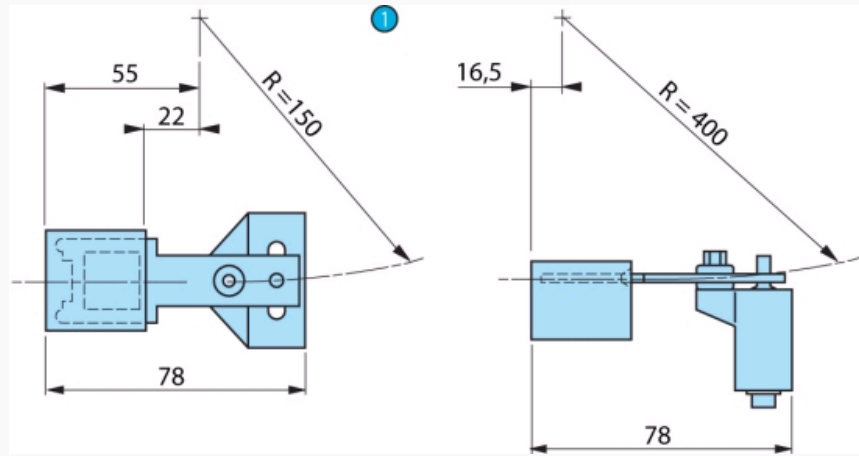
79 214 579



N°	Legend
1	R = min. radius

Dimensions (mm)

79 214 580



N°	Legend
①	R = min. radius