

THIS DRAWING IS UNPUBLISHED.

RELEASED FOR PUBLICATION

© COPYRIGHT -

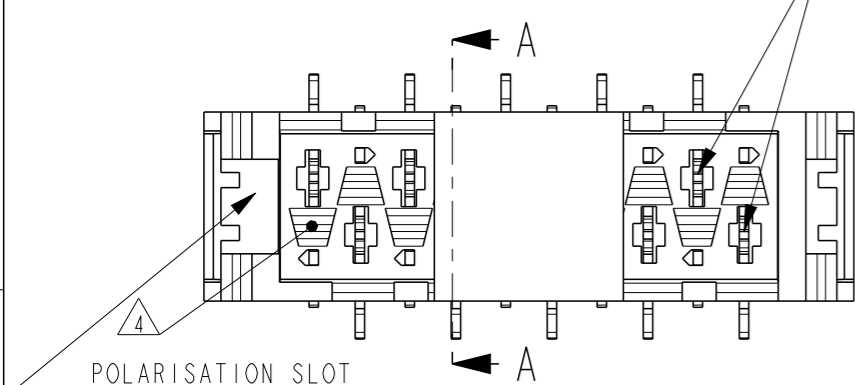
ALL RIGHTS RESERVED.

LOC DIST

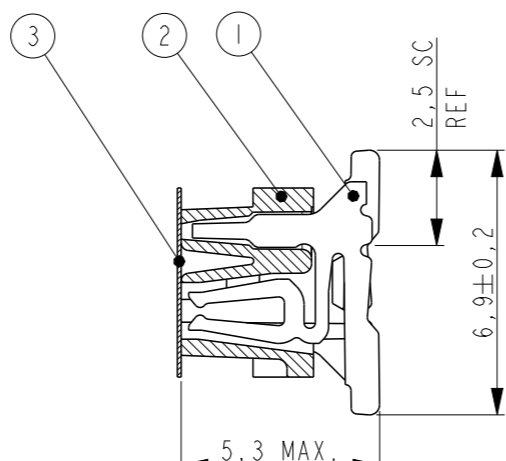
REVISIONS

P	LTR	DESCRIPTION	DATE	DWN	APVD
	A	RELEASE TO PRODUCTION	18DEC2014	NV	PS

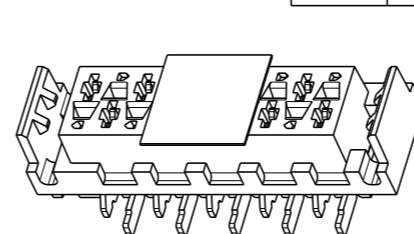
REFERENCE MATING INTERFACE PATTERN:
1,27 STAGGERED PITCH x 1,5 ROW-DISTANCE.



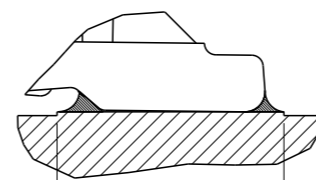
POLARISATION SLOT



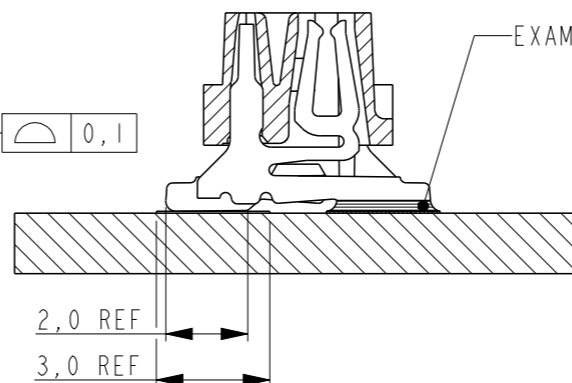
SECTION A-A



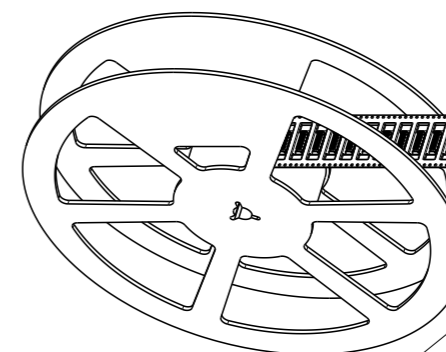
SCALE 3:1



SOLDER DETAIL
SCALE 10:1



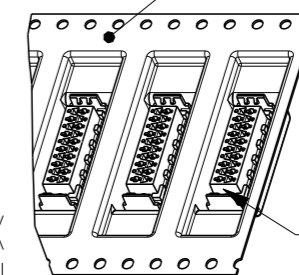
EXAMPLE SOLDER JOINT



SEE DETAIL X

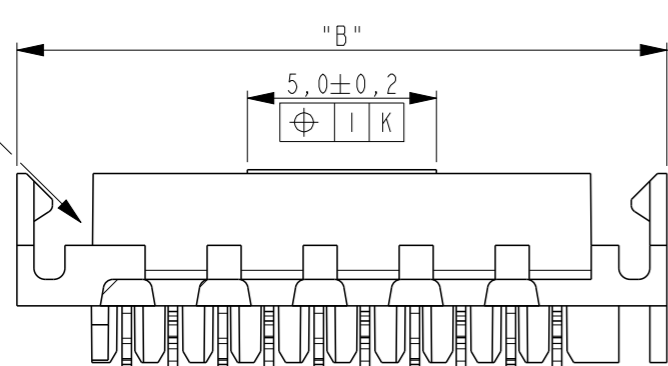
USER DIRECTION OF FEED

ACCORDING EIA-481/DIN IEC 286

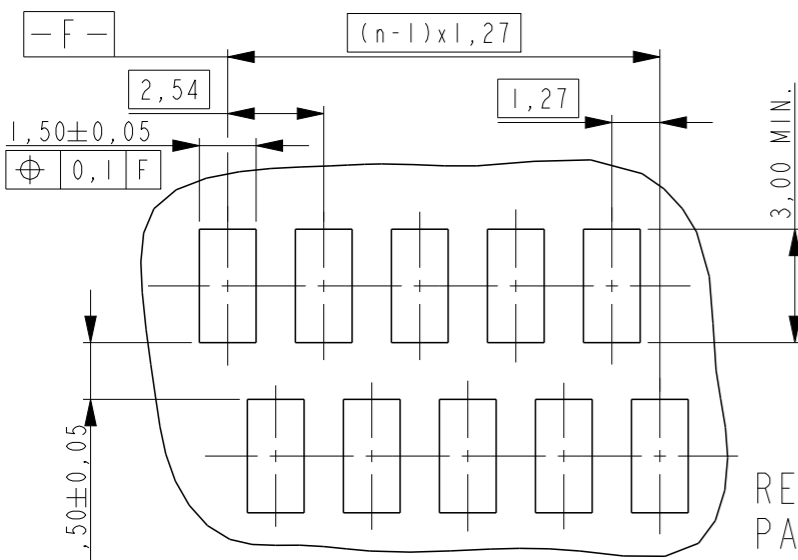
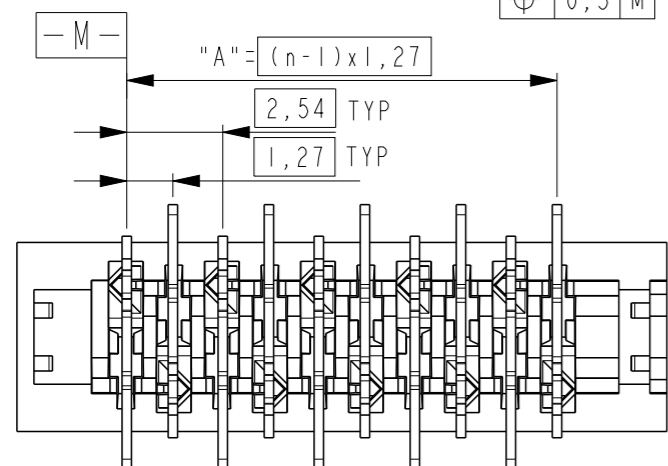


DETAIL X
SCALE 1:1

POLARIZATION-SLOT
ON THIS SIDE.



0,25±0,05 TYP.
0,5 M



RECOMMENDED PC-BOARD
PAD-LAYOUT TOP VIEW

NOTES:

- 1 TAPE FOR VACUUM P&P ONLY FOR DASH NUMBERS 7- /8- /9-
- 2 FOR PACKAGING SEE SHEET 2 AND 3
- 3 WITHOUT VACUUM TAPE.
- 4 CORING-OUTS FOR MANUFACTURING PURPOSE ONLY.
SHAPE MAY VARY, BUT IS NOT FUNCTIONAL FOR THE APPLICATION.
- 5 SHOWN IS A 10 POSITION CONNECTOR.

Item no.	Description	Material	Finish
3	PICK & PLACE TAPE	KAPTON	AMBER TRANSPARENT
2	FEMALE HOUSING	POLYAMIDE 4/6,GF	BLACK
1	FEMALE CONTACT	TIN BRASS	TIN(3-5µ) OVER NICKEL

THIS DRAWING IS A CONTROLLED DOCUMENT.

DIMENSIONS:	TOLERANCES UNLESS OTHERWISE SPECIFIED:
mm	
	0 PLC ±-
	1 PLC ±-
	2 PLC ±-
	3 PLC ±-
	4 PLC ±-
	ANGLES ±-
MATERIAL	FINISH
SEE TABLE	SEE TABLE

DWN	25SEP2014
NAGASHREE, V	
CHK	26SEP2014
PRASHANTH, S	
APVD	26SEP2014
JAYANTH	
PRODUCT SPEC	
108-32087	
APPLICATION SPEC	
114-13318	
WEIGHT	-

STE TE Connectivity

NAME	SIZE	CAGE CODE	DRAWING NO	RESTRICTED TO
MICRO-MATCH VALUE LINE FEMALE-ON-BOARD TOP-ENTRY, SMD CONNECTOR WITH LATCHES	A3	00779	C-2823056	-

Customer Drawing SCALE 5:1 SHEET 1 OF 3 REV A

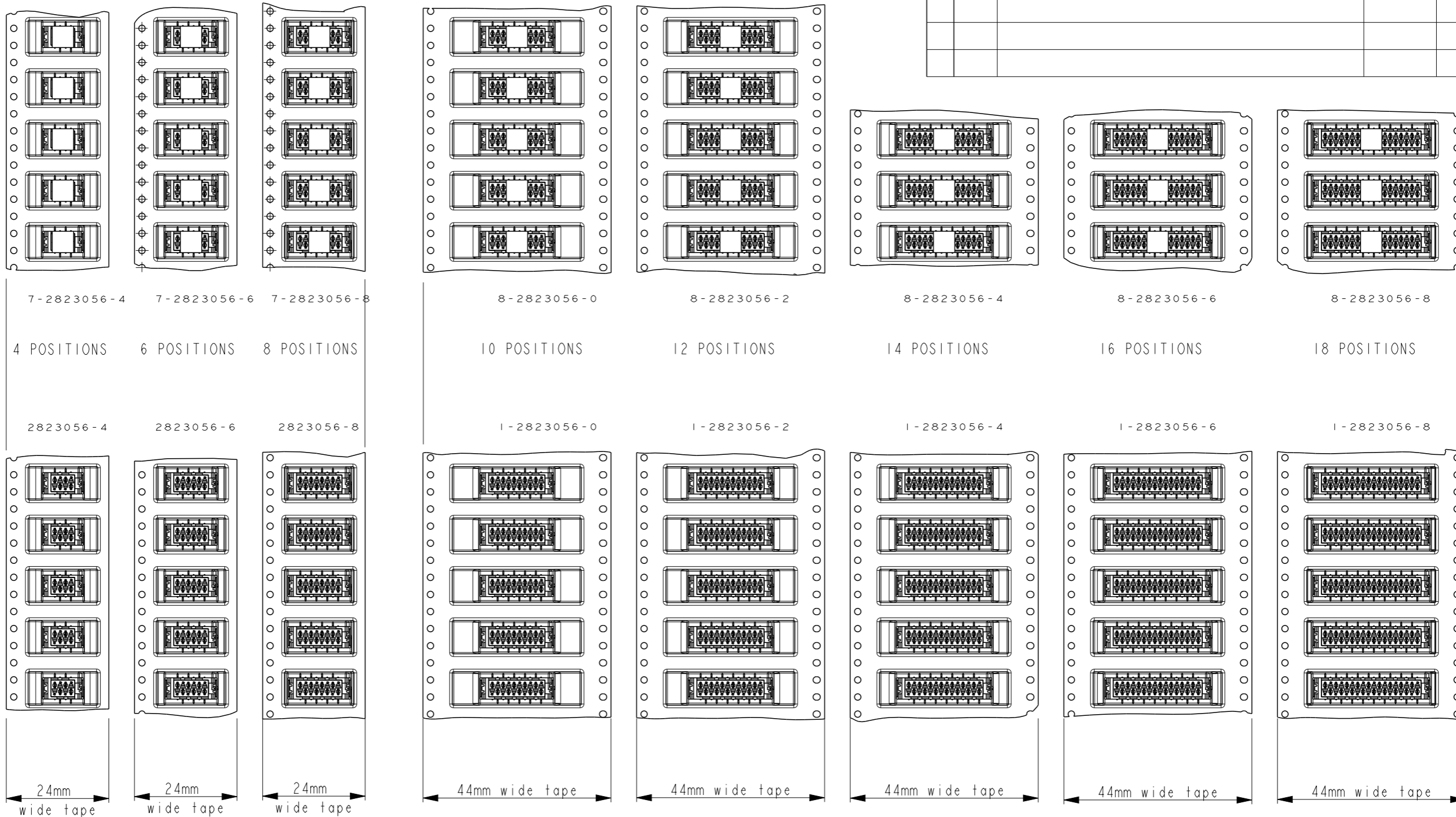
THIS DRAWING IS UNPUBLISHED.

RELEASED FOR PUBLICATION

© COPYRIGHT -

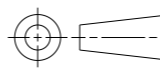
ALL RIGHTS RESERVED.

LOC	DIST	REVISIONS					
		P	LTR	DESCRIPTION	DATE	DWN	APVD
-	-	-	-	SEE SHEET 1	-	-	-



THIS DRAWING IS A CONTROLLED DOCUMENT.

DIMENSIONS:
mm



TOLERANCES UNLESS OTHERWISE SPECIFIED:

- 0 PLC ±-
- 1 PLC ±-
- 2 PLC ±-
- 3 PLC ±-
- 4 PLC ±-
- ANGLES ±-
- FINISH -

MATERIAL -

DWN 25SEP2014
Nagashree_V
CHK 26SEP2014
Prashanth_S
APVD 26SEP2014
Jayanth_K
PRODUCT SPEC
108-32087
APPLICATION SPEC
114-13318
WEIGHT -



NAME
MICRO-MATCH VALUE LINE
FEMALE-ON-BOARD TOP-ENTRY,
SMD CONNECTOR WITH LATCHES.

SIZE	CAGE CODE	DRAWING NO	RESTRICTED TO
A3	00779	C-2823056	-

Customer Drawing SCALE 4:1 SHEET 2 OF 3 REV A

THIS DRAWING IS UNPUBLISHED.

RELEASED FOR PUBLICATION

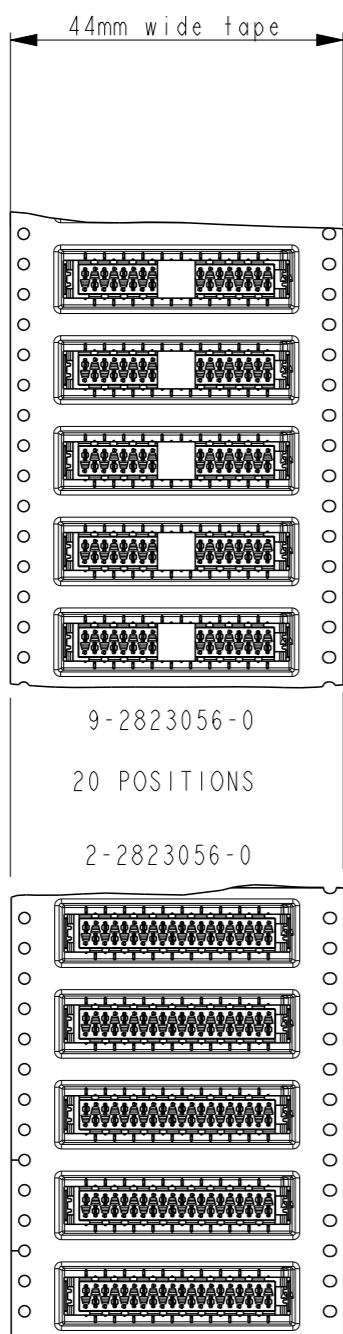
© COPYRIGHT -

ALL RIGHTS RESERVED.

LOC - DIST -

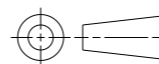
REVISIONS

P	LTR	DESCRIPTION	DATE	DWN	APVD
-	-	SEE SHEET 1	-	-	-



THIS DRAWING IS A CONTROLLED DOCUMENT.

DIMENSIONS:
mm



TOLERANCES UNLESS OTHERWISE SPECIFIED:

- 0 PLC ±
- 1 PLC ±
- 2 PLC ±
- 3 PLC ±
- 4 PLC ±
- ANGLES ±

MATERIAL -

FINISH -

DWN 25SEP2015

Nagashree.V

CHK 26SEP2014

Prashanth.S

APVD 26SEP2014

JAYANTH

PRODUCT SPEC

108-32087

APPLICATION SPEC

114-13318

WEIGHT -

NAME
STE TE Connectivity
 MICRO-MATCH VALUE LINE
 FEMALE-ON-BOARD TOP-ENTRY,
 SMD CONNECTOR WITH LATCHES.

SIZE	CAGE CODE	DRAWING NO	RESTRICTED TO
A3	00779	C-2823056	-

Customer Drawing SCALE 4:1 SHEET 3 OF 3 REV A