

LOC	DIST	REVISIONS			
P	LTR	DESCRIPTION	DATE	DWN	APVD
A	66				
	B	SEE PRODUCTION DRAWING	26FEB2010	LG	GB

SEE PRODUCTION DRAWING
 1426628


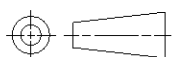
20

RELEASED FOR PUBLICATION

THIS DRAWING IS UNPUBLISHED.

BY TYCO ELECTRONICS CORPORATION. ALL RIGHTS RESERVED.

© COPYRIGHT 20

DIMENSIONS: IN	DWN L. GROSS	26FEB2010	MATERIAL	-	FINISH	-
	CHK G. BAILEY	26FEB2010	 Tyco Electronics Harrisburg, PA 17105-3608			
TOLERANCES UNLESS OTHERWISE SPECIFIED:	APVD N. DEMING	26FEB2010				
0 PLC ±-	PRODUCT SPEC	-	NAME SIDE FEED HDI APPLICATOR			
1 PLC ±-	APPLICATION SPEC	-	SIZE	CAGE CODE	DRAWING NO	RESTRICTED TO
2 PLC ±-			A4	00779	C=1426628	-
3 PLC ±-						
4 PLC ±-	WEIGHT	-	CUSTOMER DRAWING			
ANGLES ±-			SCALE	-	SHEET	1 OF 1
			REV B			