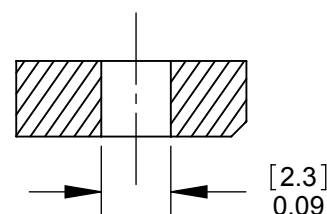
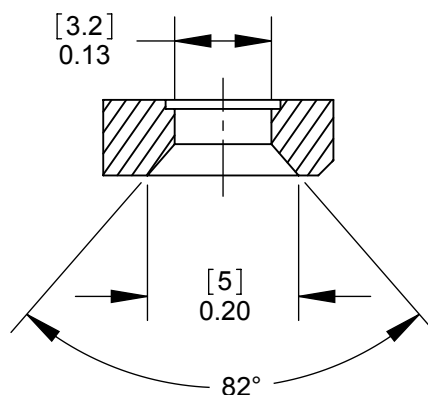


**PD3FSC1
FRONT MOUNT**
SECTION A-A
SCALE 4 : 1



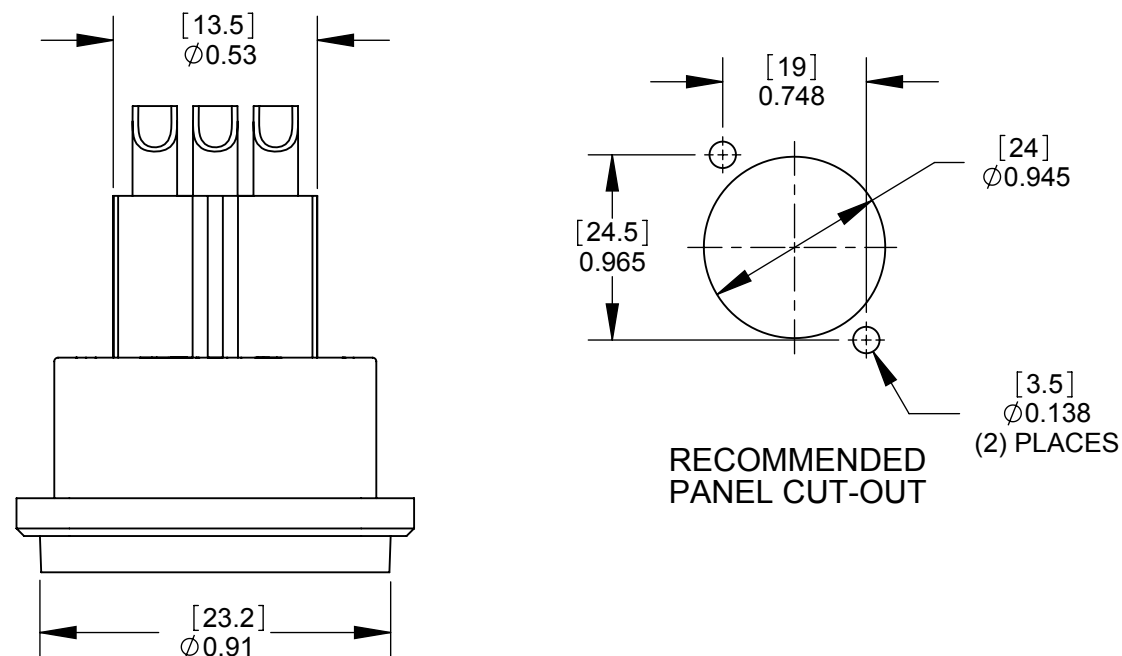
**PD3FSC2
REAR MOUNT**
SECTION A-A
SCALE 4 : 1



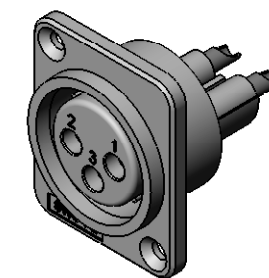
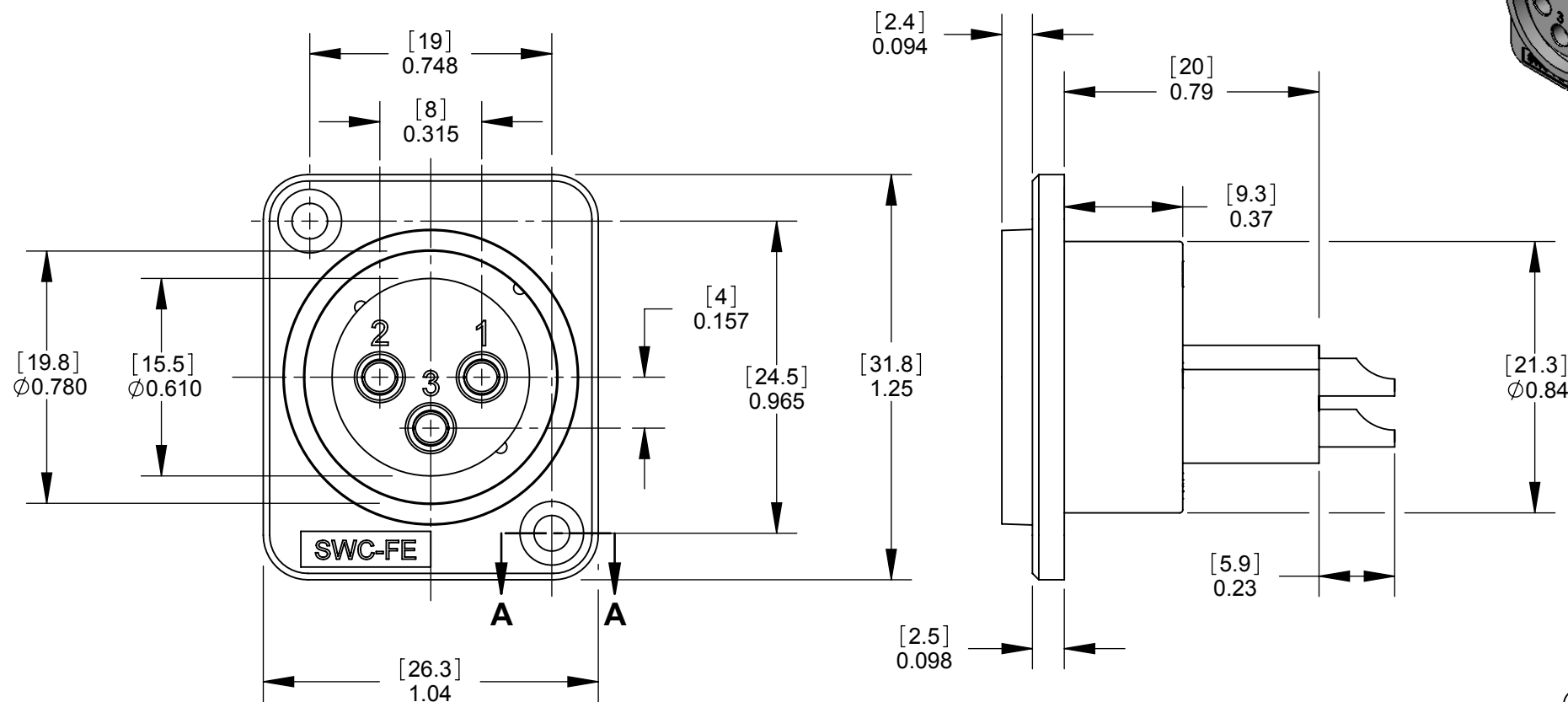
**PD3FSC3
FRONT MOUNT**
SECTION A-A
SCALE 4 : 1

NOTES:

- MATERIALS:
HOUSING - THERMOPLASTIC, BLACK
PINS - COPPER ALLOY (SEE TABLE FOR FINISH)
- THESE PRODUCTS ARE RoHS COMPLIANT.



RECOMMENDED
PANEL CUT-OUT



PART NUMBER	MOUNTING STYLE SEE SECTION A-A	TERMINAL PLATING
PD3FSC1	FRONT MOUNT	SILVER
PD3FSC2	REAR MOUNT	SILVER
PD3FSC3	FRONT MOUNT	SILVER
PD3FSC1AU	FRONT MOUNT	GOLD
PD3FSC2AU	REAR MOUNT	GOLD
PD3FSC3AU	FRONT MOUNT	GOLD

CUSTOMER DRAWING

REV	ECO NUMBER	DATE	BY	APVD
A	22118	1/14/98	RS	TJK
REVISIONS				

UNLESS OTHERWISE SPECIFIED

- ALL DIMENSIONS IN INCHES
- TWO PLACE DECIMALS ±0.02
- THREE PLACE DECIMALS ±0.005

DO NOT SCALE DRAWING

THIS DRAWING DESCRIBES A DESIGN CONSIDERED PROPRIETARY IN NATURE, DEVELOPED AND MANUFACTURED BY SWITCHCRAFT INC. AND IS RELEASED ON A CONFIDENTIAL BASIS FOR IDENTIFICATION PURPOSES ONLY.

SIZE	WIDTH	MULT	LBS/M	TEMPER
------	-------	------	-------	--------

FINISH	MATERIAL
SPEC No.	SPEC No.

FIRST USED ON	SCALE
	2:1

DATE DRAWN	BY	CHKD	APVD
4/27/10	RS	RS	TJK
		4/27/10	4/28/10

NAME	PART No.	REV
PLASTIC PANEL MOUNT QG CONNECTORS, SOLDERCUP, RoHS	PD3FSC SERIES	A

Switchcraft[®]

SHEET 1 OF 1