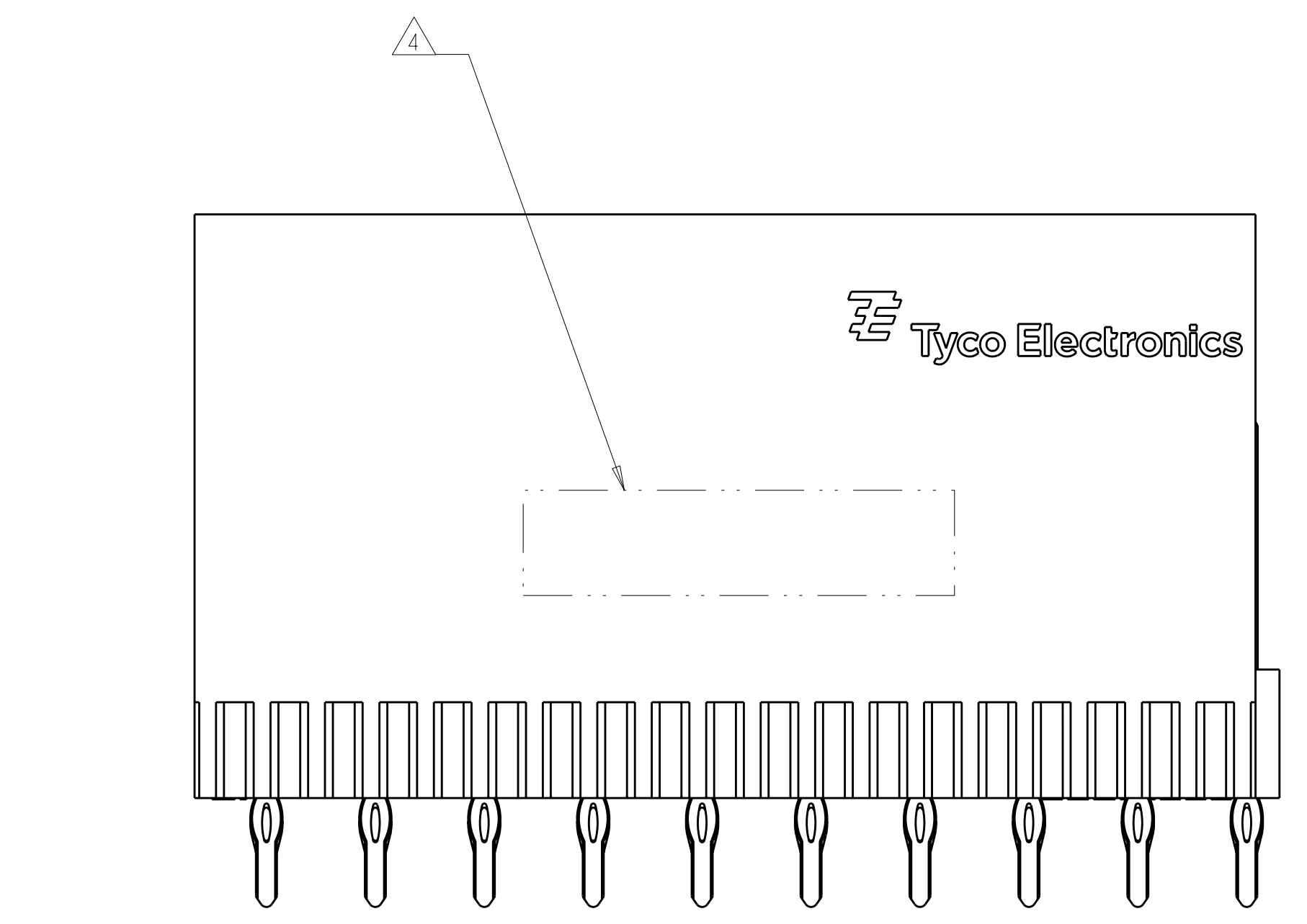
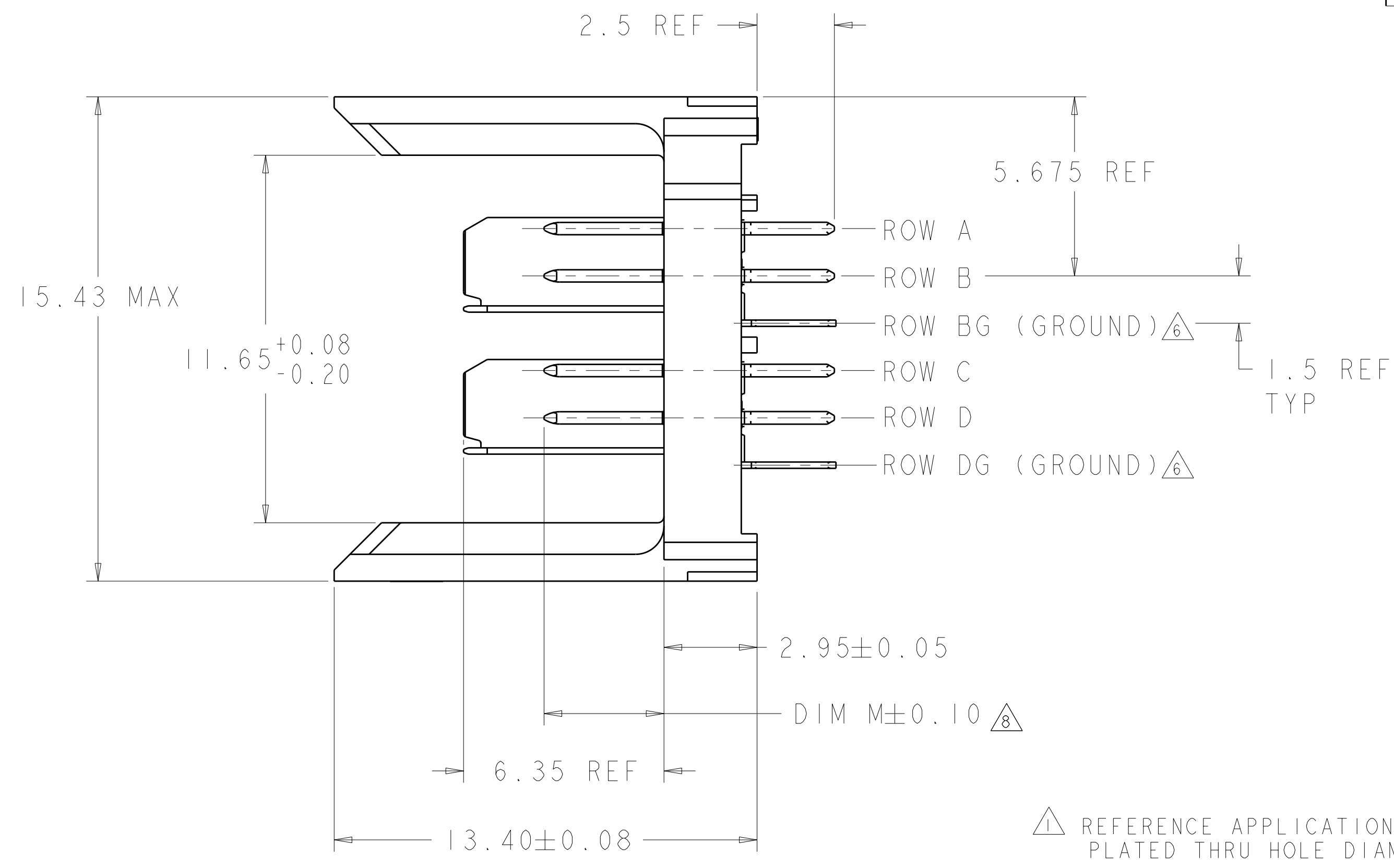
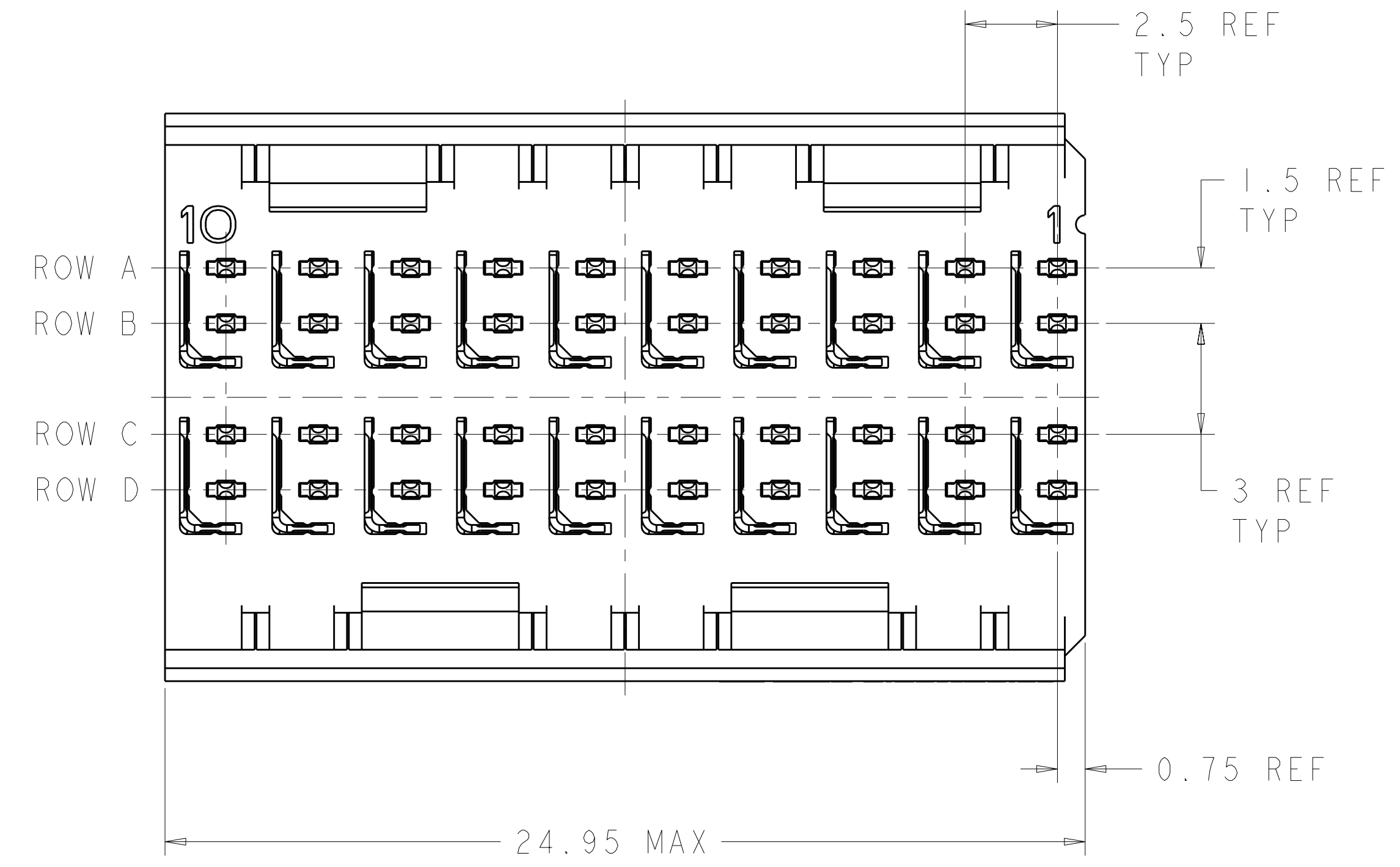


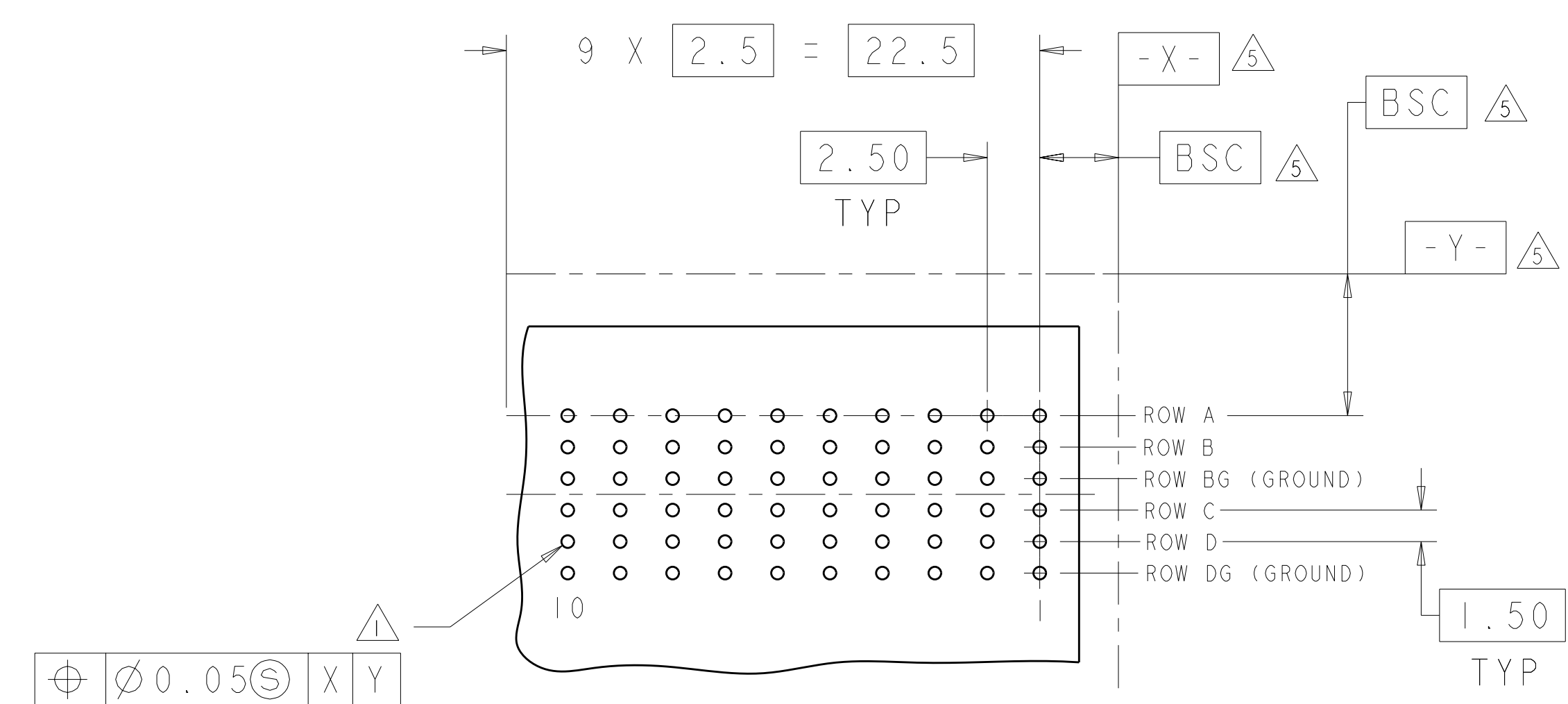
LOC		DIST		REVISIONS			
AD	00	P	LTR	DESCRIPTION	DATE	DWN	APVD
		C		REVISED PER ECO-12-000118	17JAN12	KH	DY



- △ REFERENCE APPLICATION SPEC 114-13059 FOR RECOMMENDED PLATED THRU HOLE DIAMETER AND PLATING THICKNESSES.
- △ MATERIAL:
CONTACT AND SHIELD - PHOSPHOR BRONZE
HOUSING - GLASS FILLED POLYESTER. UL 94V-0.
- △ FINISH: SIGNAL AND GROUND CONTACTS:
MATING AREA: MEETS THE PERFORMANCE REQUIREMENTS OF PRODUCT SPECIFICATION 108-2055; BASED ON TELCORDIA GR-1217-CORE, APPLICATIONS IN UNCONTROLLED ENVIRONMENTS
COMPLIANT PIN AREA: 0.5 μm MIN BRIGHT TIN-LEAD OVER BASE PLATING
- △ CONNECTOR MARKED WITH PART NUMBER AND DATE CODE.
- △ DATUMS AND BASIC DIMENSIONS ESTABLISHED BY CUSTOMER.
- △ THE TWO GROUNDS IN EACH COLUMN ARE COMMONED.
- 7. CONTACT AREA LUBRICATED WITH BELLCORE APPROVED LUBRICANT. TECHNICAL REFERENCE: GR-1217-CORE, ISSUE 1, NOVEMBER 1995.
- △ REFER TO "CONTACT LAYOUT" CHART FOR SEQUENCING.

CONTACT LAYOUT
 A = 3.80mm (DIM M)
 B = 5.30mm (DIM M)
 G = GROUND

		COLUMNS									
		10	9	8	7	6	5	4	3	2	1
ROWS	A	A	B	B	B	B	B	B	B	B	A
	B	A	B	B	B	B	B	B	B	B	A
	BG	G	G	G	G	G	G	G	G	G	G
	C	A	B	B	B	B	B	B	B	B	A
	D	A	B	B	B	B	B	B	B	B	A
DG	G	G	G	G	G	G	G	G	G	G	



⊕ ∅0.05 ⊕ X Y
 ALL PLATED THRU HOLES

RECOMMENDED PC BOARD LAYOUT, BACKPLANE, COMPONENT SIDE SHOWN
 SCALE 4:1

1469334-1
 PART NUMBER

THIS DRAWING IS A CONTROLLED DOCUMENT.		DWN S. J. MAGARO 12JUN2003	TE Connectivity
DIMENSIONS: mm		CHK R. PATTERSON 12JUN2003	
TOLERANCES UNLESS OTHERWISE SPECIFIED:		APVD R. PATTERSON 17AUG2007	NAME HEADER ASSEMBLY, 2 PAIR, SELECTIVELY LOADED, 2.5mm TAIL, 25mm, HMzd
9 PLC ±		PRODUCT SPEC	SIZE CAGE CODE DRAWING NO. RESTRICTED TO
3 PLC ±		APPLICATION SPEC	A100779C=1469334
5 PLC ±		WEIGHT	SCALE 8:1 SHEET 1 OF 1 REV C
4 PLC ±		CUSTOMER DRAWING	
ANGLES ±			
FINISH ±			