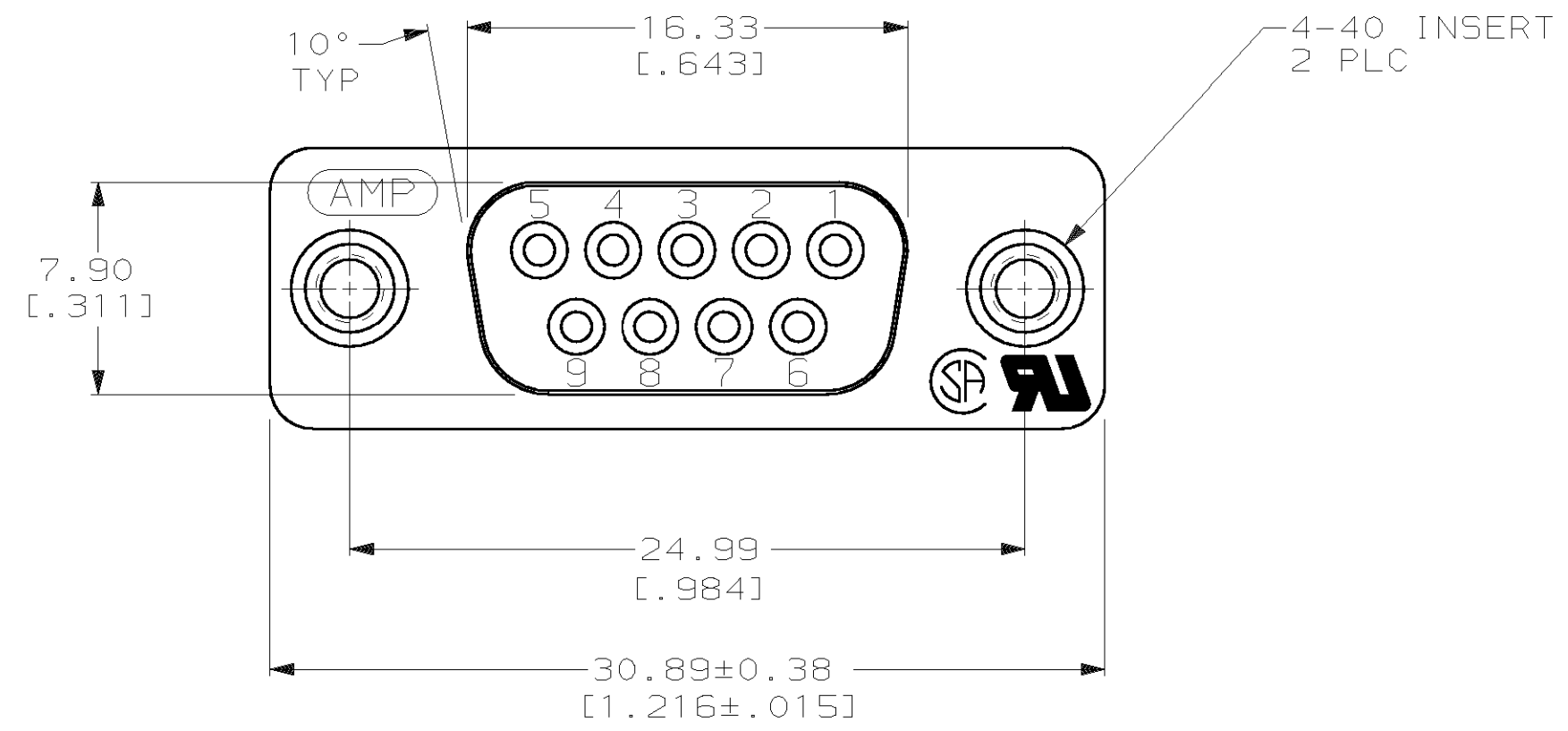
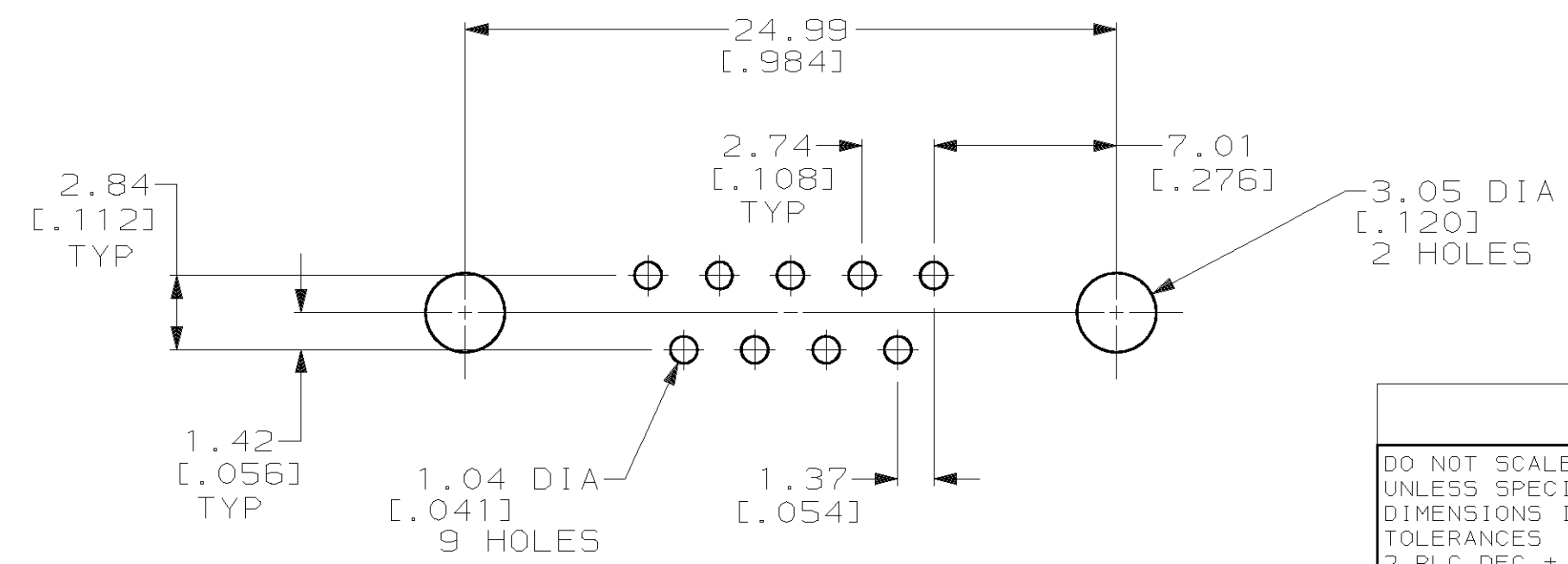
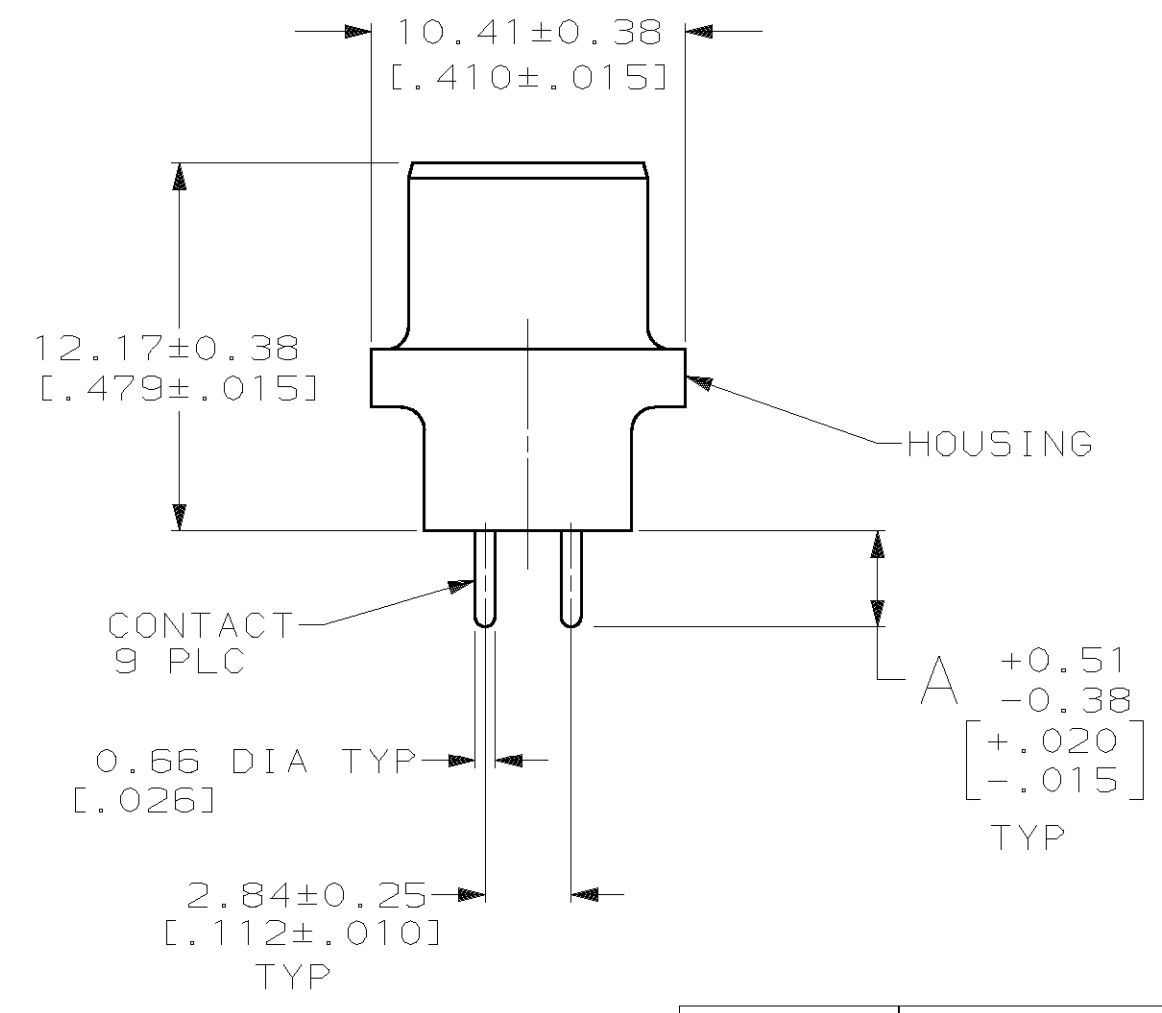
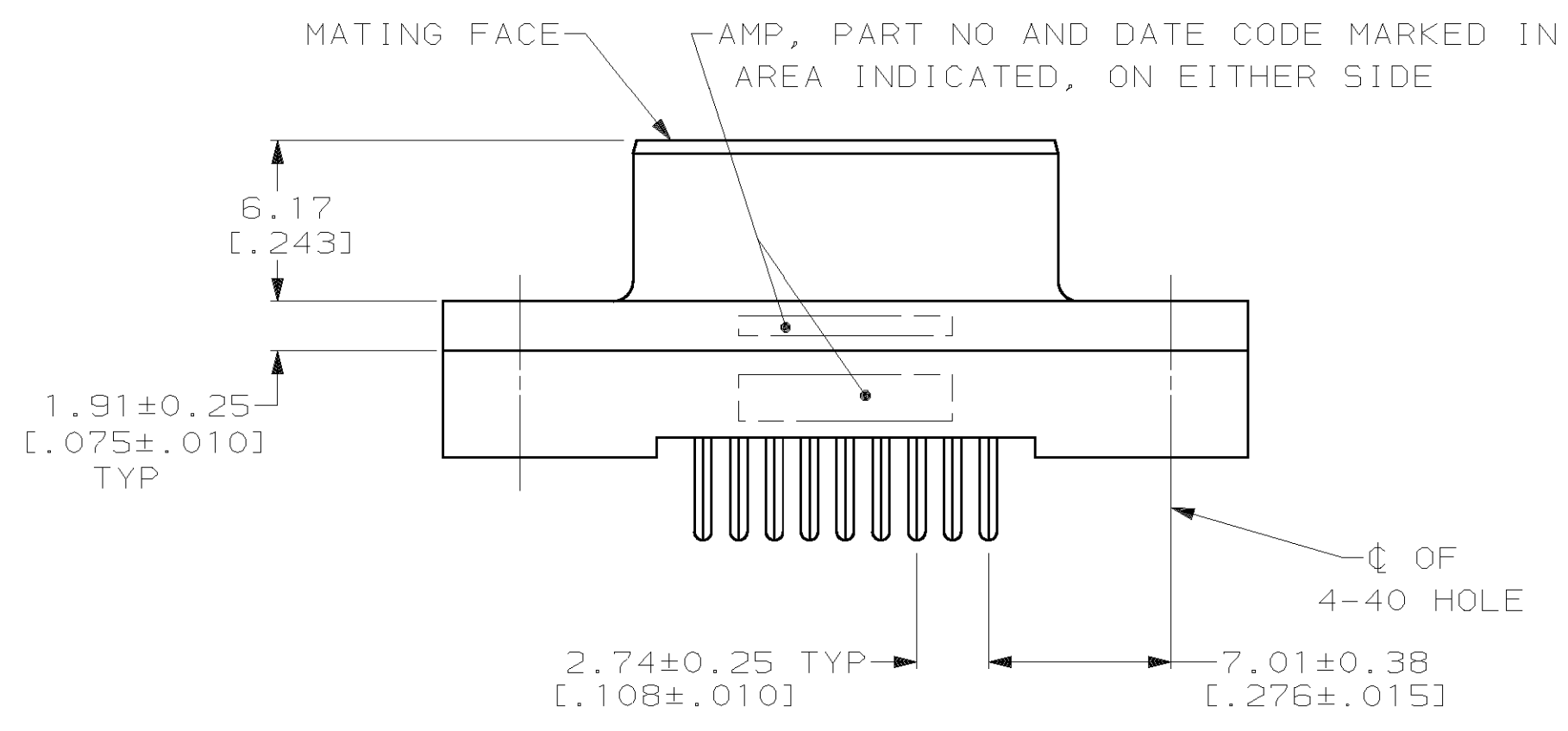


THIS DRAWING IS UNPUBLISHED. RELEASED FOR PUBLICATION .19
 © COPYRIGHT 19 BY AMP INCORPORATED. ALL INTERNATIONAL RIGHTS RESERVED.

LOC		DIST		P		F		REVISIONS		DATE	APPD
ZONE	LTR	DESCRIPTION		DATE	APPD						
BD	77			E		REDRAWN & REVISED, ECN BD3361		11-89	-		
				F		SUPSD-7 & OBS-1, -5, -6 PER EC 0020-964-93		04/11/94	CR		
				G		OBS -8 AND REV PER EC 001D-0126-00		01 NOV 00	RF		



- 1 HOUSING: BLACK POLYESTER, UL 94V-0 RATED; CONTACTS: PHOSPHOR BRONZE PER QQ-B-750; INSERTS: BRASS PER QQ-B-626.
- 2 GOLD PLATING PER MIL-G-45204, TIN PLATING PER MIL-T-10727, NICKEL PLATING PER QQ-N-290.
- 3 GOLD FLASH FOR A LENGTH OF 2.54[.100] MIN FROM MATING END, 2.54µm[.000100] MIN TIN OR TIN-LEAD FOR A LENGTH OF DIMENSION A FROM OPPOSITE END, ALL OVER 1.27µm[.000050] MIN NICKEL.
- 4 0.76µm[.000030] MIN GOLD FOR A LENGTH OF 2.54[.100] MIN FROM MATING END, 2.54µm[.000100] MIN TIN OR TIN-LEAD FOR A LENGTH OF DIMENSION A FROM OPPOSITE END, ALL OVER 1.27µm[.000050] MIN NICKEL.



FINISH	CONTACT FINISH	PART NO
OBSOLETE	6.35 [.250]	207841-8
SUPERSEDED BY 207841-8	6.35 [.250]	207841-7
OBSOLETE	4.32 [.170]	207841-6
OBSOLETE	4.32 [.170]	207841-5
	3.18 [.125]	207841-4
	3.18 [.125]	207841-3
OBSOLETE	3.56 [.140]	207841-1

DO NOT SCALE PRINT. UNLESS SPECIFIED DIMENSIONS IN mm [INCHES] TOLERANCES ON: 2 PLC DEC ± 0.13 [.005] 3 PLC DEC ± - ANGLES ± 2°		DR 11-16-89 J McCLINTON		AMP INCORPORATED Harrisburg, Pa. 17105	
MATERIAL		CHK 2-1-90 R. STONE			
FINISH 2 CONTACT: SEE TABLE		APPD 2-2-90 S. SCHIEFFERLY		NAME RECEPTACLE ASSEMBLY, SIZE 1, 9 POSN, VERTICAL, AMPLIMITE® HD-20	
1		APPD 2-5-90 C. ROHDE		PRODUCT SPEC 108-40025	
APPLICATION SPEC		-		SIZE C CAGE CODE 00779 DRAWING NO 207841	
WEIGHT		-		SCALE 4:1 SHEET 1 OF 1	