

# SPECIFICATIONS

**MECHANICAL:**  
 SHOCK: MIL-STD 202 METHOD 213B, COND. K.  
 VIBRATION: MIL-STD 202 METHOD 201  
 LIFE: 300 INSERTION/WITHDRAWAL CYCLES (MINIMUM)

**ELECTRICAL:**  
 DIELECTRIC WITHSTANDING VOLTAGE: 1,000 VAC  
 INSULATION RESISTANCE: 100 MEGOHMS (MIN) AT 77°F  
 CONTACT RESISTANCE: 5.0 MILLOHMS MAX.  
 CURRENT RATING: 7.5 AMPS (#20 CONTACT)  
 13.0 AMPS (#16 CONTACT)

**ENVIRONMENTAL:**  
 TEMPERATURE LIMITS: -40°C TO +65°C (NON-OPERATING)  
 MOISTURE RESISTANCE: MIL-STD 202 METHOD 106F  
 INSULATION RESISTANCE: MIL-STD 202 METHOD 302, COND. B  
 THERMAL SHOCK: MIL-STD 202 METHOD 107G  
 SALT SPRAY: MIL-STD 202 METHOD 101D, COND. B  
 WATER TIGHTNESS TEST: U.S. COAST GUARD CFR 46 PART 110.20

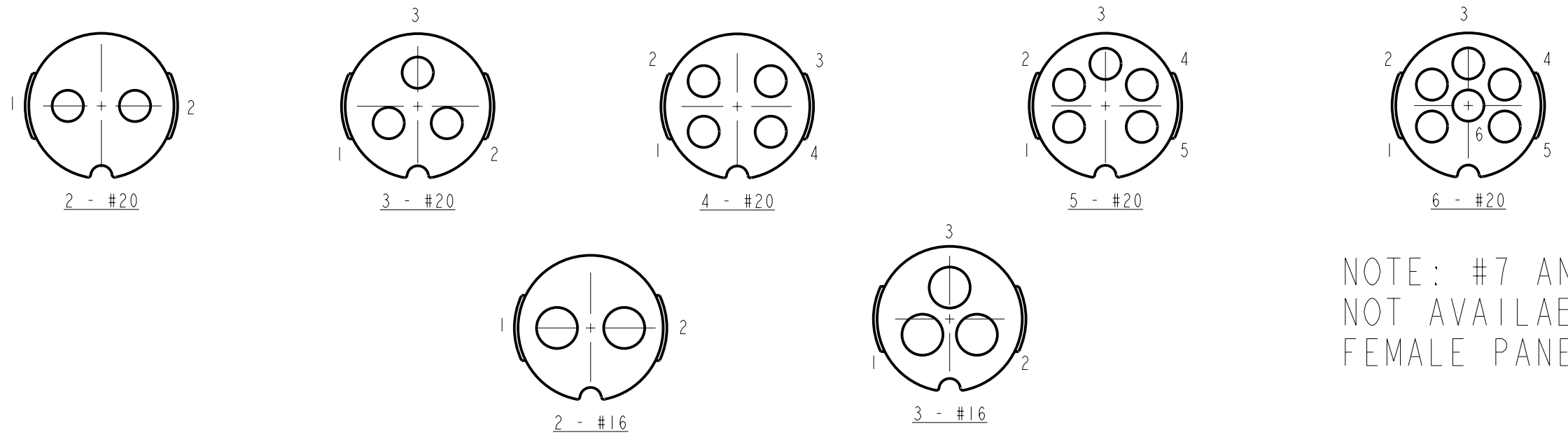
**MATERIALS:**  
 PANEL CONNECTOR SHELL, CONTACT LOCKING DISC:  
 THERMOPLASTIC POLYMER GLASS FIBER, FLAME RETARDANT

CONNECTOR SHELL INTERIOR:  
 THERMOPLASTIC RUBBER

CONTACTS: COPPER BASE ALLOY GOLD-PLATED  
 OVER NICKEL UNDERPLATE

HEX NUT: THERMOPLASTIC

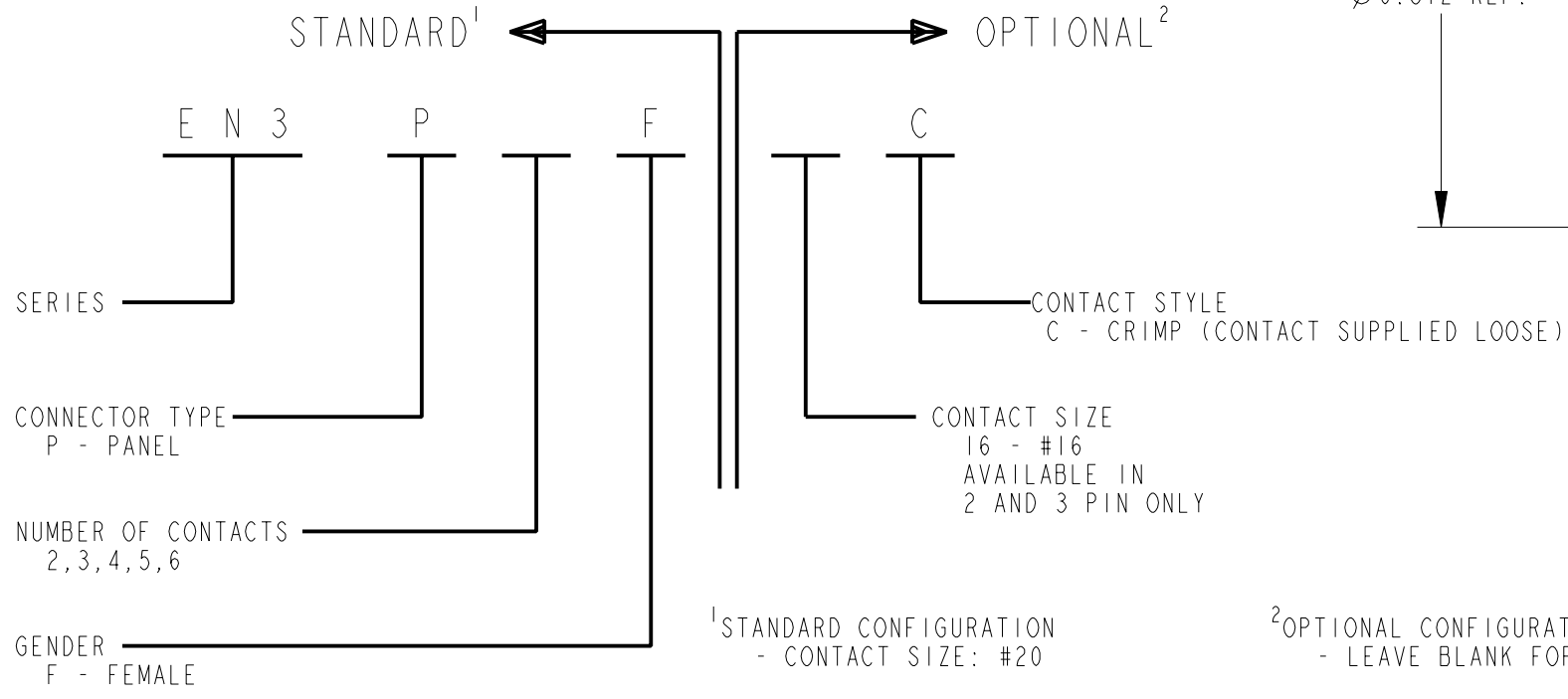
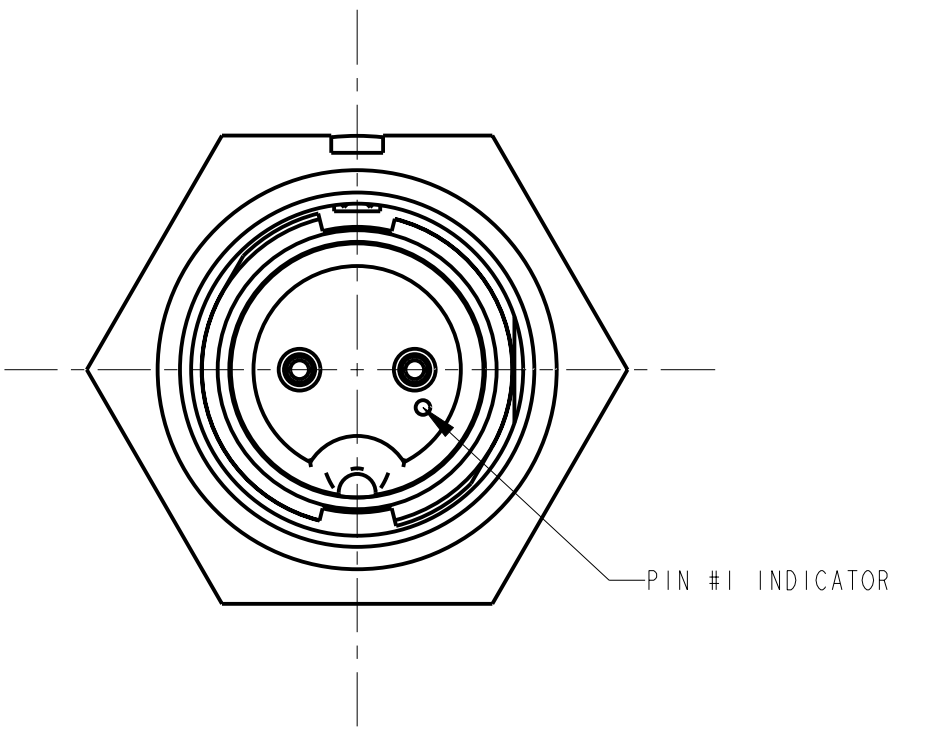
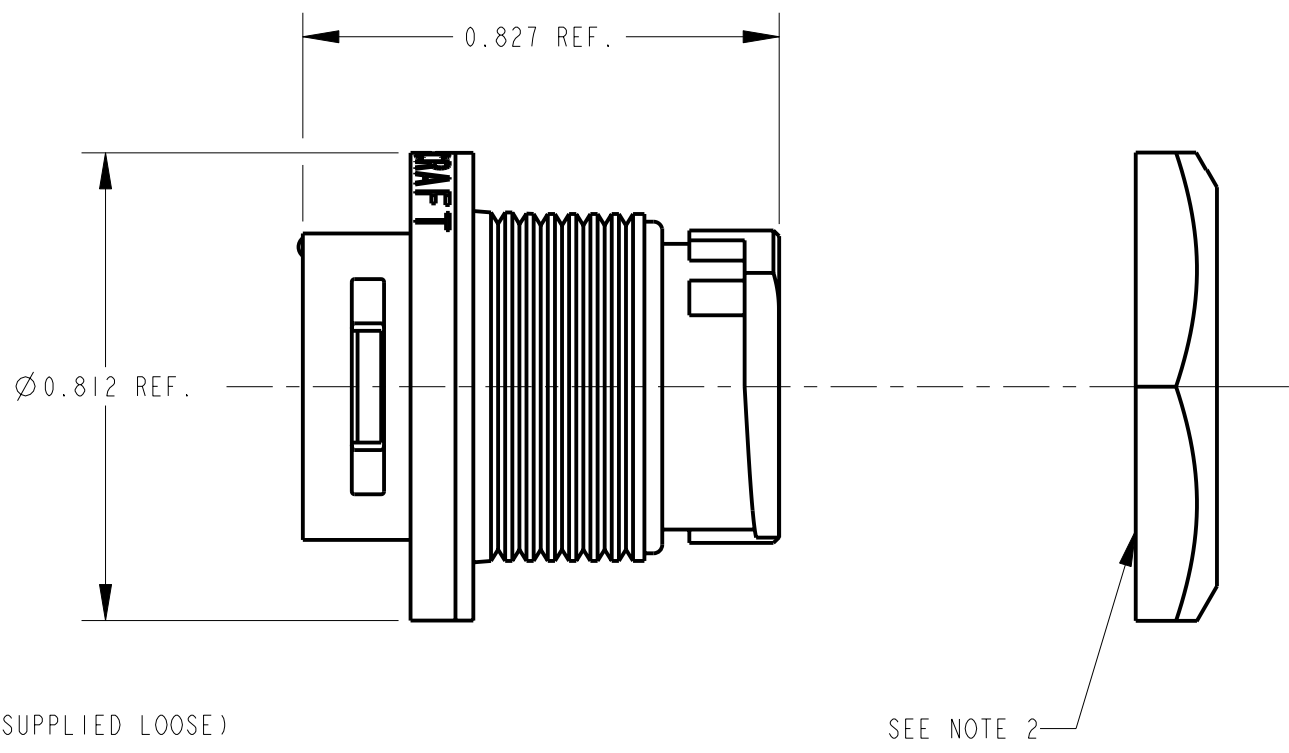
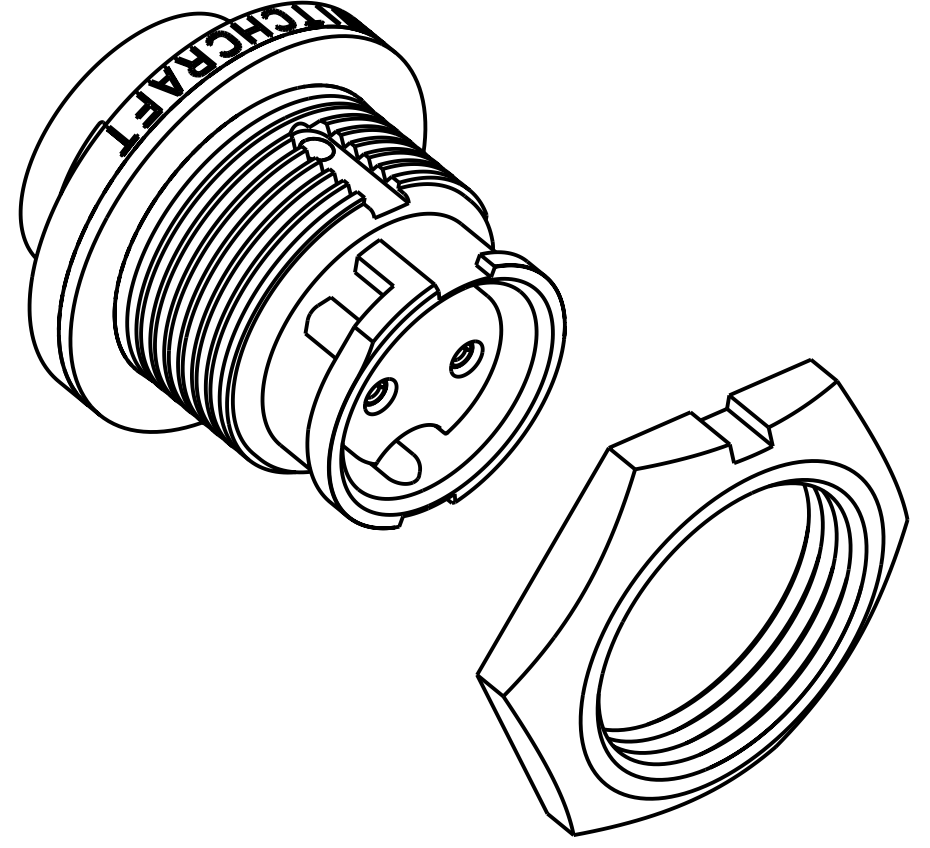
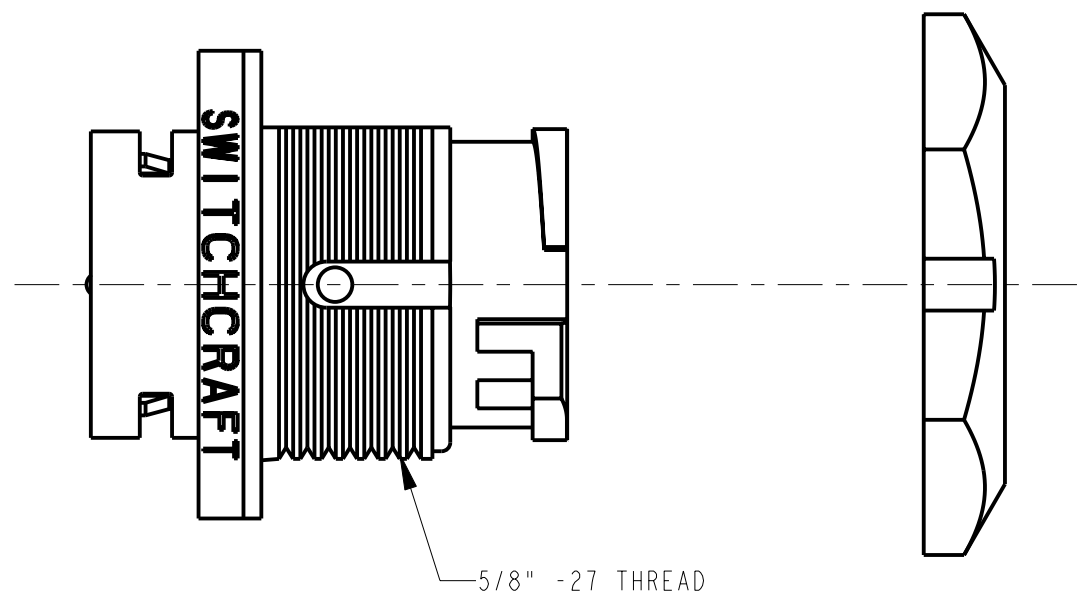
- NOTES:**
- HEX NUT TORQUE:  
 8 TO 10 INCH-LBS. OF TORQUE  
 (MUST NOT EXCEED 10 INCH-LBS.)
  - HEX NUT SHIPPED UNASSEMBLED.
  - CONTACTS SUPPLIED LOOSE.



NOTE: #7 AND #8 PIN NOT AVAILABLE IN FEMALE PANEL CONNECTORS.

## CONTACT ARRANGEMENT

SHOWN ARE REAR VIEWS OF FEMALE PANEL CONNECTORS



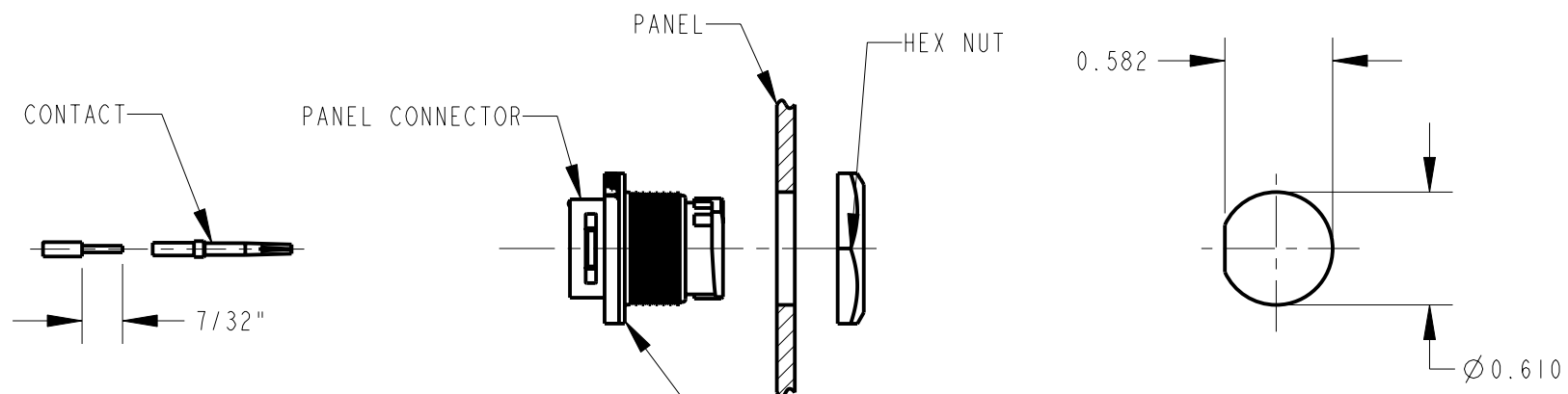
<sup>1</sup>STANDARD CONFIGURATION  
 - CONTACT SIZE: #20  
 - CONTACT STYLE: SOLDER CUP  
 - CONTACT PLATING: GOLD  
 - PACKAGED IN BULK

<sup>2</sup>OPTIONAL CONFIGURATION  
 - LEAVE BLANK FOR STANDARD CONFIGURATION

CUSTOMER DRAWING

★ STAR SYMBOL DENOTES CRITICAL DIMENSION				THIS DRAWING DESCRIBES A DESIGN CONSIDERED PROPRIETARY IN NATURE, DEVELOPED AND MANUFACTURED BY SWITCHCRAFT INC. AND IS RELEASED ON A CONFIDENTIAL BASIS FOR IDENTIFICATION PURPOSES ONLY.					
UNLESS OTHERWISE SPECIFIED				SIZE	WIDTH	MULT	LBS/M	TEMPER	
E	24661	3-4-04	JL	EB	FINISH			MATERIAL	
D	23595	2-5-01	JL	DK	SPEC No.			SPEC No.	
C	22232	4-30-98	SG	RB	FIRST USED ON			SCALE	
B	ECO #21461	12-9-96	MM	FL	DATE DRAWN			3:1	
A	RELEASE TO MFG	4-3-96	CCB	RB	BY	CHKD	APVD		
REV	ECO NUMBER	DATE	BY	APVD	11-22-95	SG	11-22-95		12-1-95
REVISIONS				DO NOT SCALE DRAWING				NAME	
				FEMALE PANEL CONNECTOR				PART No.	
								EN3P_F_C	
								SHEET 1 OF 2	
								REV E	

SWITCHCRAFT PANEL CONNECTOR ASSEMBLY INSTRUCTIONS



NOTE: STRIP CABLE AS SHOWN AND CRIMP WIRE TO CONTACT BEFORE INSERTING TO CONNECTOR

GASKET (MOLDED ONTO PANEL CONNECTOR)

RECOMMENDED PANEL CUT-OUT

EN3 CRIMP TOOL

SWITCHCRAFT PART NUMBER	DESCRIPTION	CONTACT SIZE	MANUFACTURER PART NUMBER	MILITARY PART NUMBER
EN3CR	CRIMP HAND TOOL FRAME	#20, #16	DMC MH860	M22520/7-01
EN3CRAUTO	POWER CRIMP TOOL	#20, #16	DMC WA22P	
EN3POS20	POSITIONER	#20	DMC 86-15	M22520/7-02
EN3POS16	POSITIONER	#16	DMC 86-3	M22520/7-04

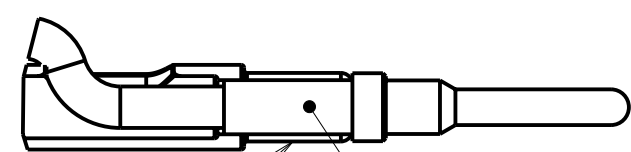
CONTACT PART NO.	CONTACT SIZE	DIM. "A"	DIM. "B"	DIM. "C"	DIM. "D"	WIRE GAUGE RANGE	INSERTION/EXTRACTION HAND TOOL
EN3CC20F	#20	0.209	0.047	0.069	0.064	#20-22-24	EN3INS20
EN3CC16F	#16	0.218	0.067	0.095	0.093	#16-18-20	EN3IN16

RECOMMENDED STRIP LENGTH: 0.218

ALL DIMENSIONS ARE REFERENCE UNLESS OTHERWISE SPECIFIED

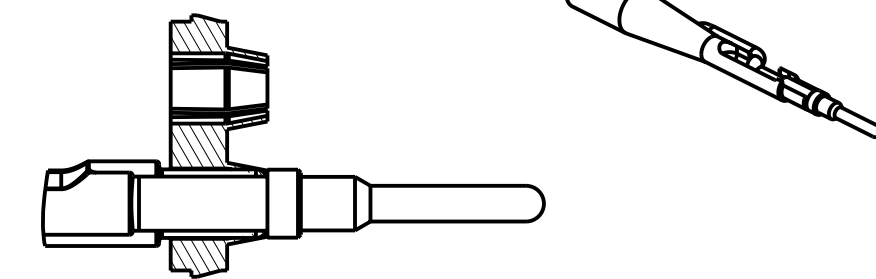
CONTACT INSERTION INSTRUCTIONS

HOUSING NOT SHOWN



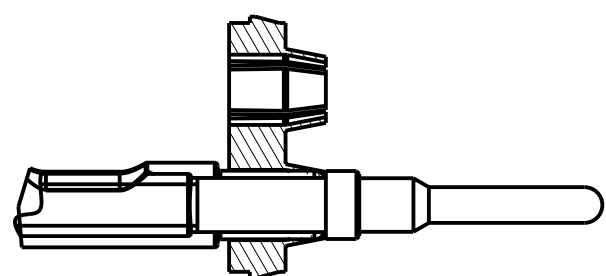
HAND TOOL CONTACT

PLACE CRIMP CONTACT AND CONDUCTOR ONTO HAND TOOL.

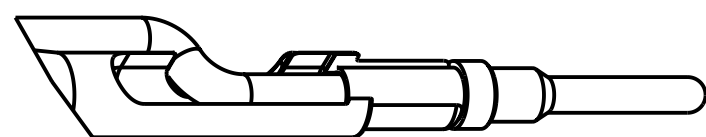


INSERT TOOL INTO HOUSING UNTIL IT BOTTOMS ONTO DISC.

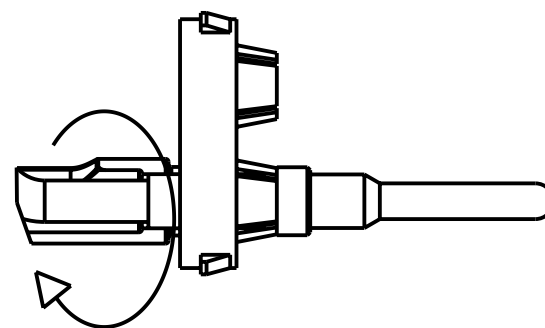
CONTACT EXTRACTION INSTRUCTIONS



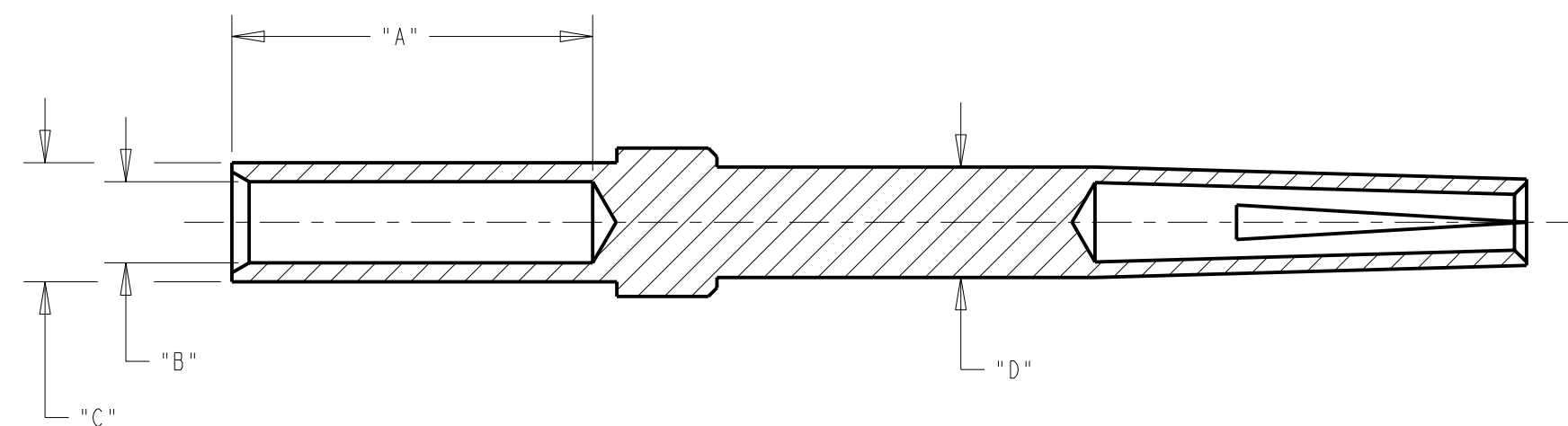
INSERT TOOL INTO HOUSING UNTIL IT BOTTOMS ONTO DISC.



PLACE CONDUCTOR INTO SLOT ON HAND TOOL AS SHOWN.



ROTATE HAND TOOL CLOCKWISE AND REMOVE FROM HOUSING.



CUSTOMER DRAWING

SCALE 3:1	<b>Switchcraft®</b>	
DATE DRAWN 15-Apr-96		
DRAWN BY CCB	PART No. EN3P_F_C	REV E