

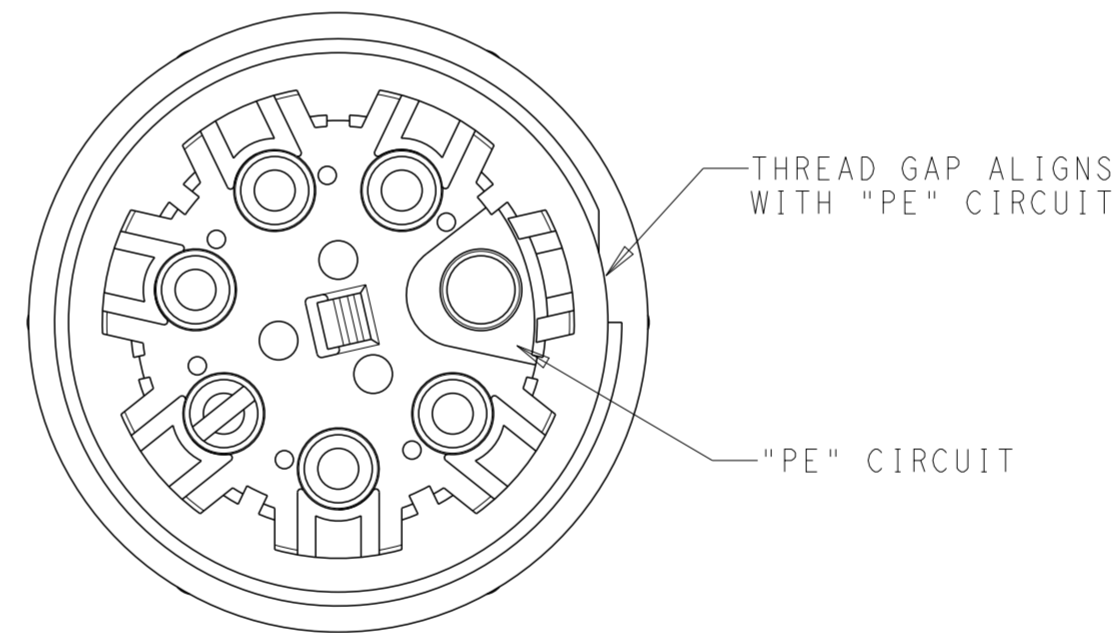
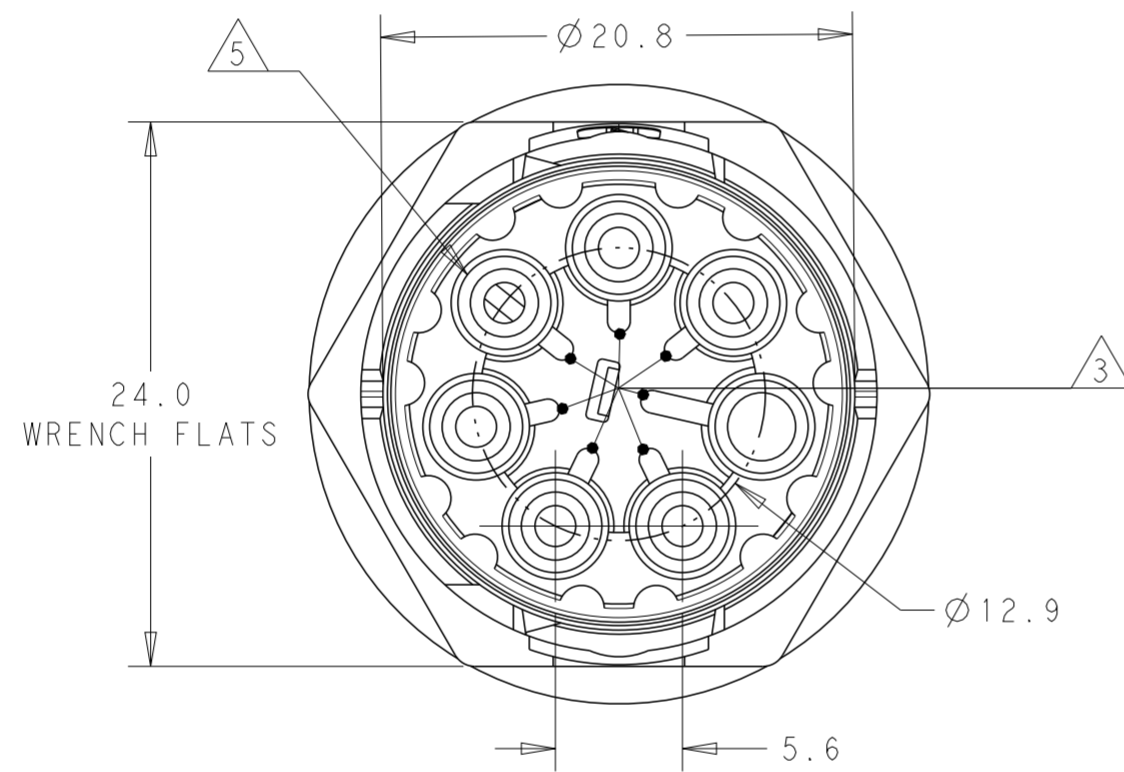
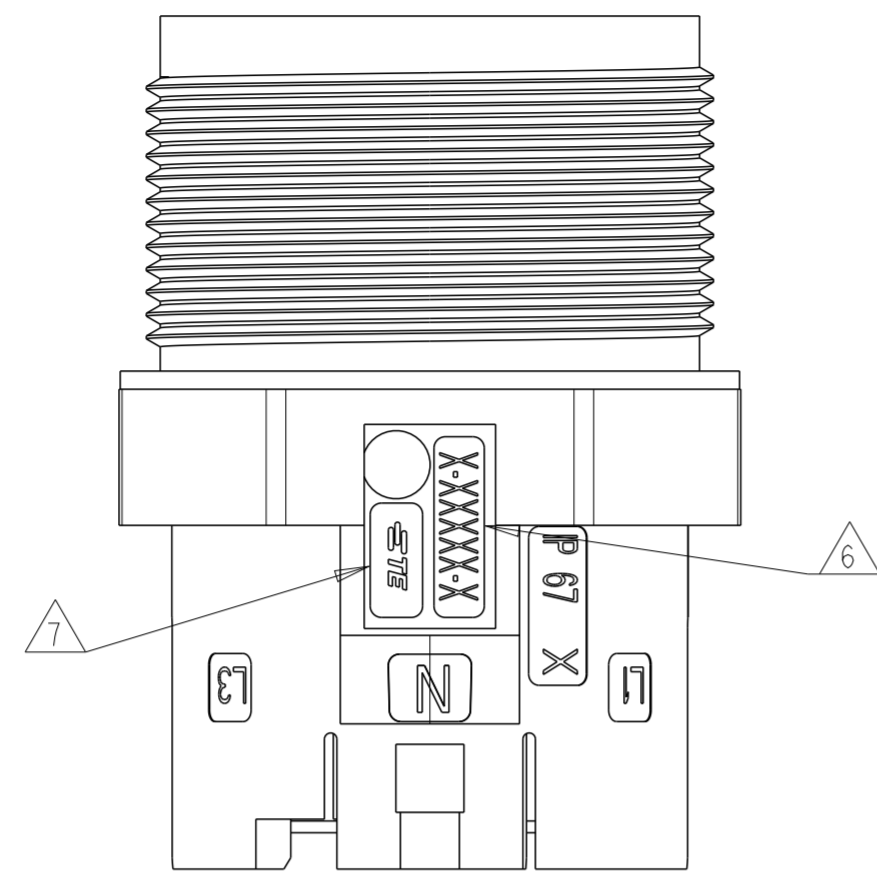
THIS DRAWING IS UNPUBLISHED. RELEASED FOR PUBLICATION 20
 © COPYRIGHT 20 BY - ALL RIGHTS RESERVED.

REVISIONS					
P	LTR	DESCRIPTION	DATE	DWN	APVD
A		REVISED AS PER ECR-15-005925	21APR2015	RS	JL
B		REVISED AS PER ECR-16-000859	08MAR2016	RS	JL

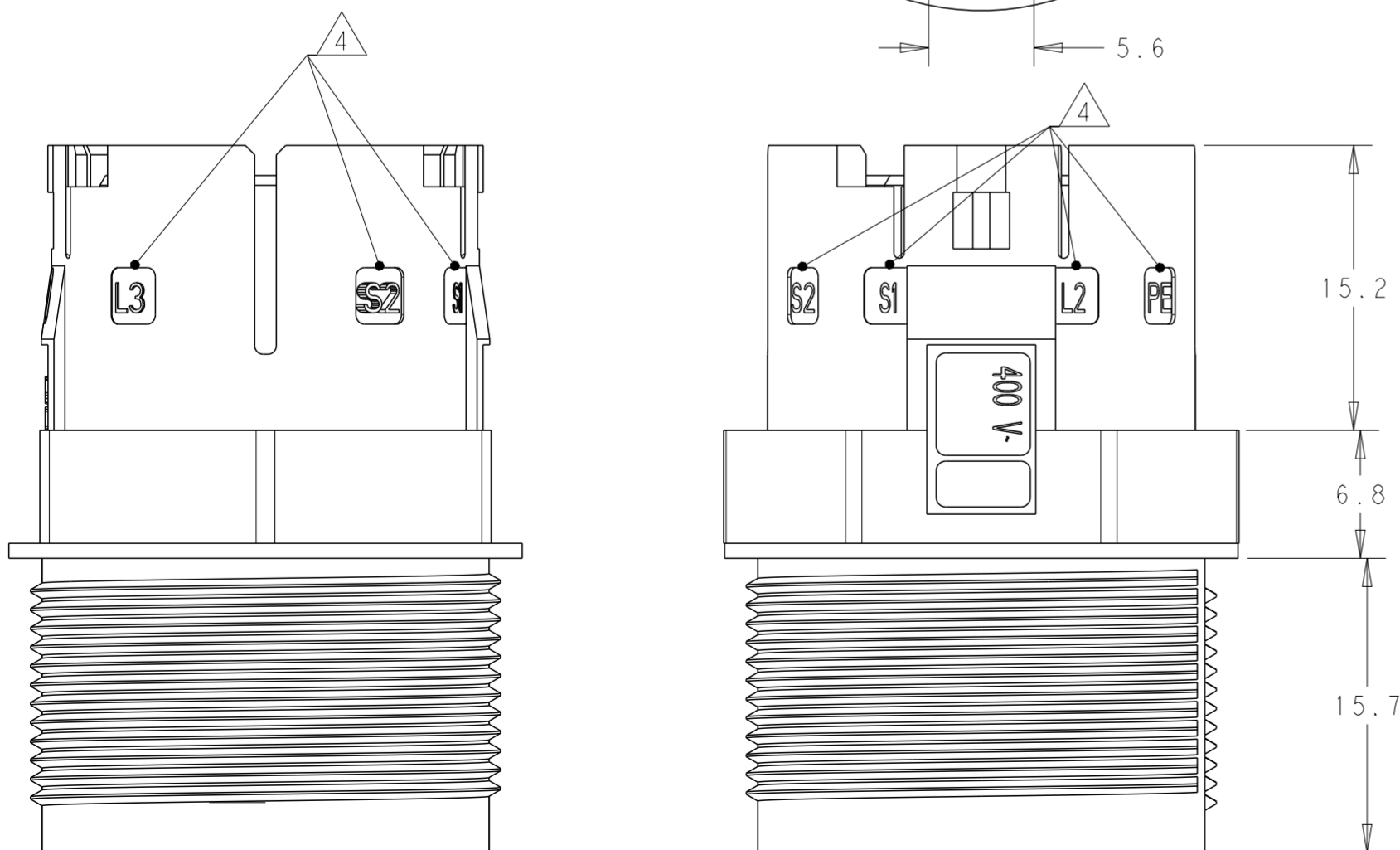
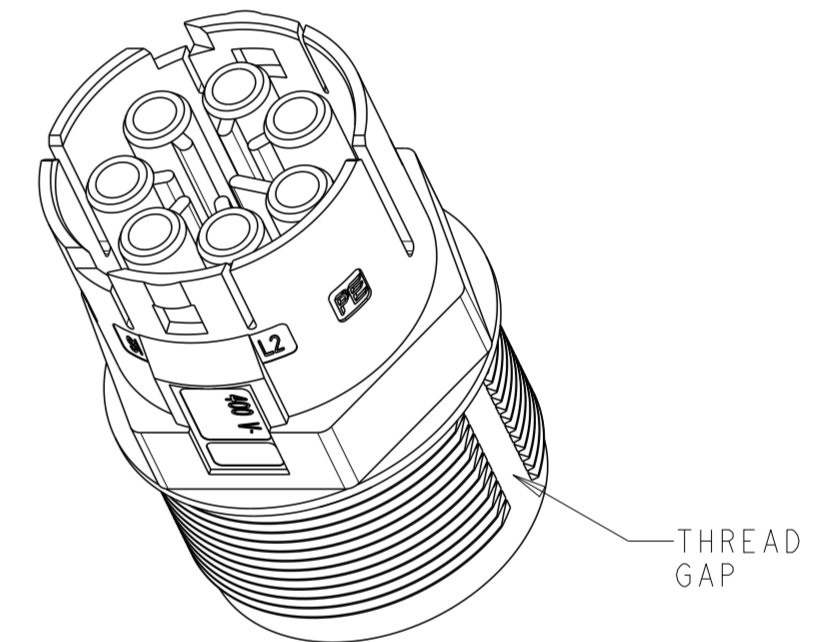
NOTES:

1. MATERIAL: GLASS FILLED PBT, COLOR: BLACK
2. MUST COMPLY WITH DIRECTIVE 2002/95/EC (ROHS)
3. ALL POLARIZATION KEYS SHOWN FOR REF ONLY.
4. CIRCUIT I.D.
5. CIRCUIT "L3" IS BLOCKED TO PREVENT CONTACT INSTALLATION.
6. TE PART NUMBER
7. TE LOGO
8. THIS PRODUCT HAS NOT COMPLETED VALIDATION TESTING

VIEW A



VIEW A SCALE 3:1

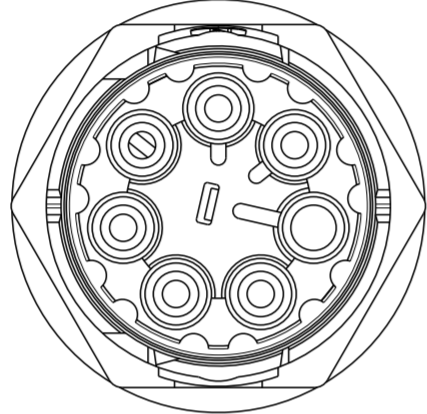
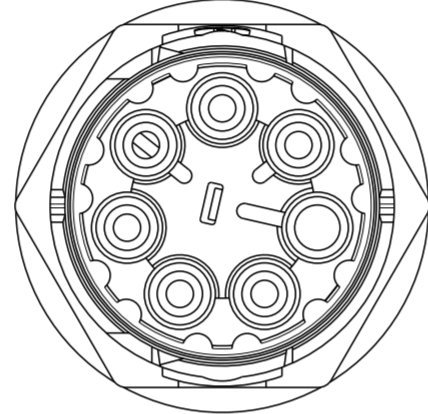
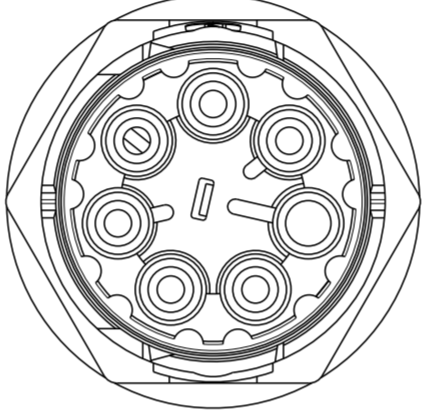
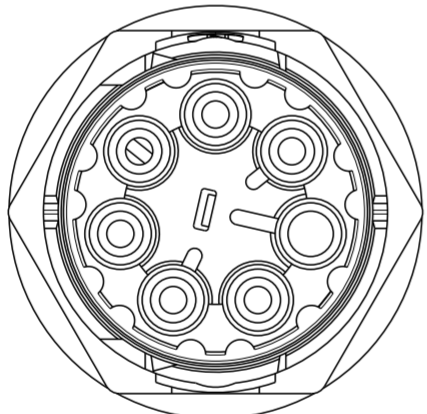
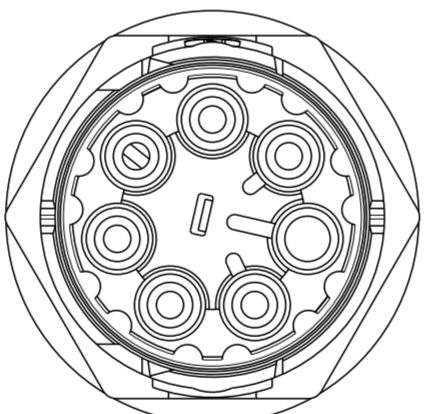



E	FREE HANGING SKT. SEALED NECTOR M, 6 POSN	2213239-5
D	FREE HANGING SKT. SEALED NECTOR M, 6 POSN	2213239-4
C	FREE HANGING SKT. SEALED NECTOR M, 6 POSN	2213239-3
B	FREE HANGING SKT. SEALED NECTOR M, 6 POSN	2213239-2
A	FREE HANGING SKT. SEALED NECTOR M, 6 POSN	2213239-1
POLARIZATION TYPE	DESCRIPTION	PART NUMBER

THIS DRAWING IS A CONTROLLED DOCUMENT.		DWN J. SHAFFER 11NOV2013	TE Connectivity	
DIMENSIONS: mm		CHK M. LUKSIC 11NOV2013		
TOLERANCES UNLESS OTHERWISE SPECIFIED:		APVD M. LUKSIC 11NOV2013	NAME	
0 PLC	±	PRODUCT SPEC	FREE HANGING, SOCKET SEALED NECTOR M, 6 POSN	
1 PLC	±0.2	APPLICATION SPEC	SIZE	A2
2 PLC	±0.13	108-133014	CAGE CODE	-
3 PLC	±	114-32111	DRAWING NO	G-2213239
4 PLC	±	WEIGHT	RESTRICTED TO	-
ANGLES	±	CUSTOMER DRAWING	SCALE	2:1
FINISH	-	SCALE	SHEET	1 OF 2
NOTE 1	-	SCALE	REV	B

THIS DRAWING IS UNPUBLISHED. RELEASED FOR PUBLICATION 20
 © COPYRIGHT 20 BY - ALL RIGHTS RESERVED.

REVISIONS				
P	LTR	DESCRIPTION	DATE	APVD
-	-	SEE SHEET 1	-	-

POLARIZATION TYPES		
POLARIZATION TYPE "A"	POLARIZATION TYPE "B"	POLARIZATION TYPE "C"
		
PN: 2213239-1	PN: 2213239-2	PN: 2213239-3
POLARIZATION TYPE "D"	POLARIZATION TYPE "E"	
		
PN: 2213239-4	PN: 2213239-5	

THIS DRAWING IS A CONTROLLED DOCUMENT.		DWN J. SHAFFER 11NOV2013	 TE Connectivity	
DIMENSIONS: mm		CHK M. LUKSIC 11NOV2013		
TOLERANCES UNLESS OTHERWISE SPECIFIED:		APVD M. LUKSIC 11NOV2013	NAME FREE HANGING, SOCKET SEALED NECTOR M, 6 POSN	
0 PLC ± 1 PLC ±0.2 2 PLC ±0.13 3 PLC ± 4 PLC ±		PRODUCT SPEC 108-133014	RESTRICTED TO -	
MATERIAL NOTE 1		APPLICATION SPEC 114-32111	SIZE A2	CAGE CODE -
FINISH -		WEIGHT -	DRAWING NO G-2213239	SCALE 2:1
		CUSTOMER DRAWING	SHEET 2 OF 2	REV B