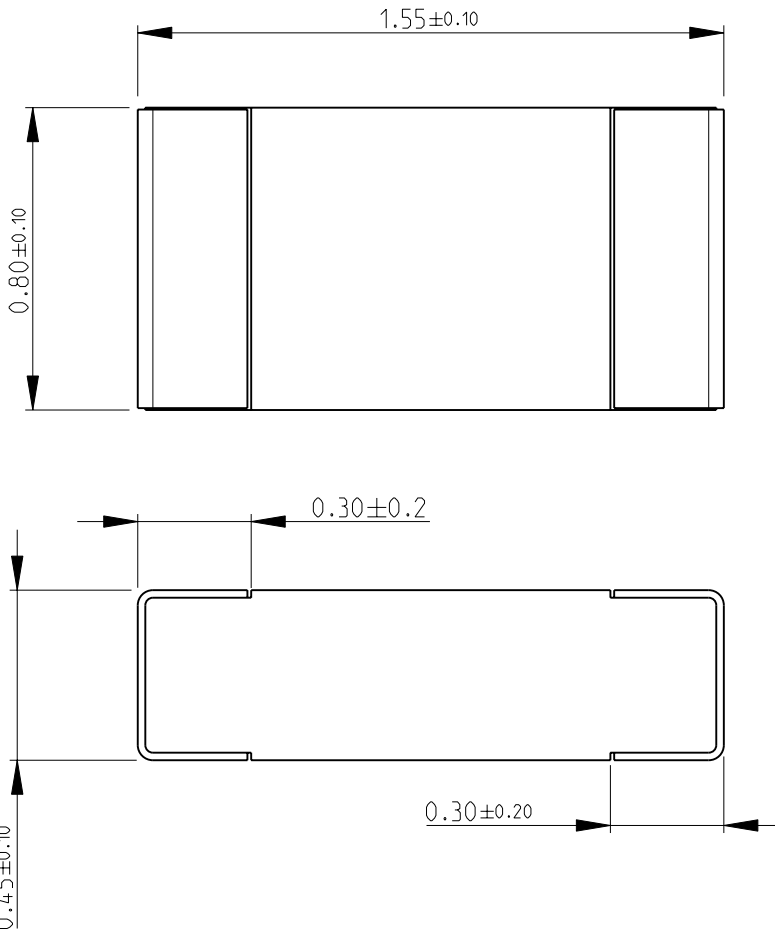
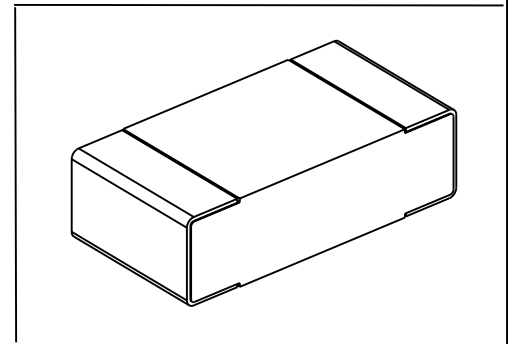
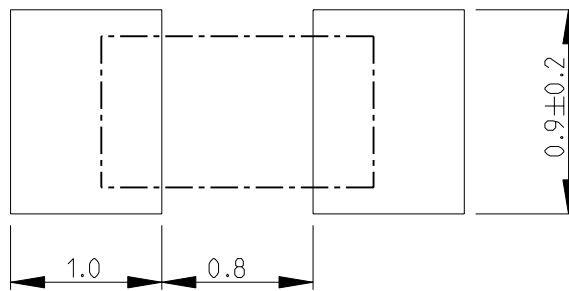


LOC	DIST	REVISIONS					
E	B	P	LTR	DESCRIPTION	DATE	DWN	APVD
			BA	NEW RELEASE	20SEP2010	PT	St.P

FOR FURTHER INFORMATION SEE DATA SHEET FOR
RN73 SERIES-HIGH PRECISION RESISTORS (SMD)



RECOMMENDED LAND PATTERN



2010
 RELEASED FOR PUBLICATION
 THIS DRAWING IS UNPUBLISHED.
 BY TYCO ELECTRONICS CORPORATION. ALL RIGHTS RESERVED.
 COPYRIGHT 2010

DIMENSIONS: mm	DWN	20SEP2010	MATERIAL	FINISH		
	PARUSURAM.T		-	-		
TOLERANCES UNLESS OTHERWISE SPECIFIED:	CHK	20SEP2010	Tyco Electronics Corporation Dorcan, Swindon, SN3 5HH			
	ALLAN.P					
0 PLC ± 0.2	APVD	20SEP2010	NAME HIGH PRECISION RESISTORS (SMD) SERIES RN73 1J			
1 PLC ± 0.1	STEPHEN.P					
2 PLC \pm	PRODUCT SPEC		SIZE	CAGE CODE	DRAWING NO	RESTRICTED TO
3 PLC \pm			A 4	00779	© = 1879360	-
4 PLC \pm	APPLICATION SPEC		CUSTOMER DRAWING			
ANGLES $\pm 5^\circ$			SCALE	SHEET	OF	REV
	WEIGHT	-	20:1	1	1	BA

