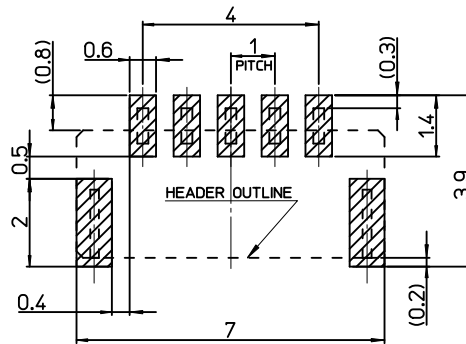
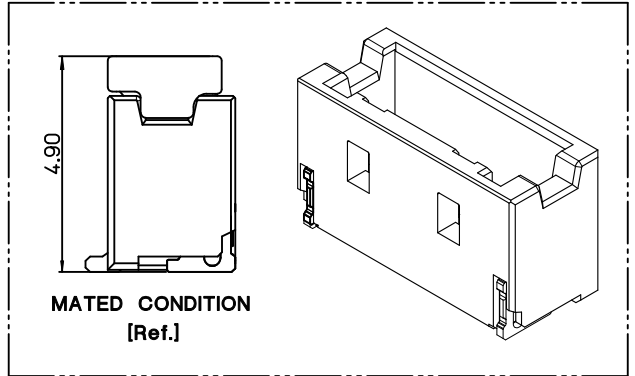


SECTION Z-Z



RECOMMENDED PCB LAY OUT

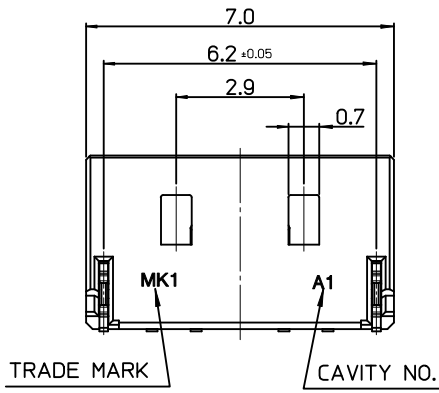
[GENERAL TOLERANCE ±0.05]



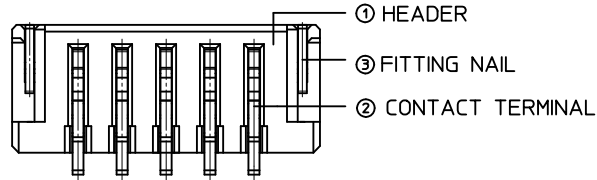
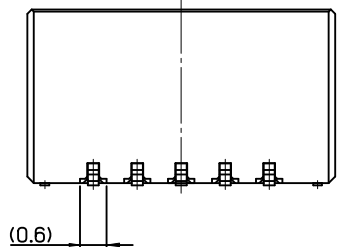
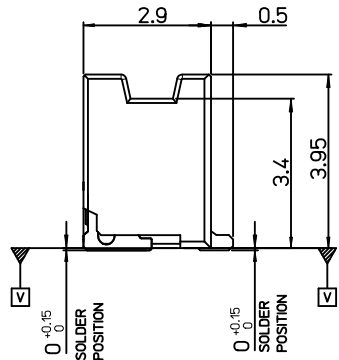
MATED CONDITION [Ref.]

NOTE.

1. MATED WITH : 104128-0500
2. MATERIALS
  - ①HEADER : LIQUID CRYSTAL POLYMER (LCP), GLASS FILLED, UL94V-0  
COLOR : NATURAL COLOR
  - ②CONTACT TERMINAL : PHOSPHOR BRONZE
  - ③FITTING NAIL : PHOSPHOR BRONZE
3. FINISHES
  - ②CONTACT TERMINAL : PURE-TIN PLATING ON OVERALL. THICKNESS 3.0μm MINIMUM UNDER PLATING Ni OVERALL. THICKNESS 1.25μm MINIMUM
  - ③FITTING NAIL : PURE-TIN PLATING ON OVERALL. THICKNESS 3.0μm MINIMUM UNDER PLATING Ni OVERALL. THICKNESS 1.25μm MINIMUM
4. PRODUCT SPECIFICATION : PS-104127-002
5. PACKAGING SPECIFICATION : PK-104127-002
6. COPLANALITH OF SOLDER TAIL (PEAK TEMP. : 260°C) BEFORE & AFTER REFLOW : 0.08MAX



TRADE MARK CAVITY NO.



RELEASED  
EC NO: 2012/02/24  
DRWN: JHPARK01  
CHKD:  
APPR:

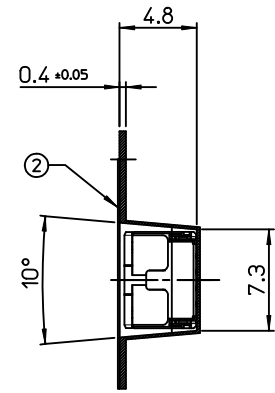
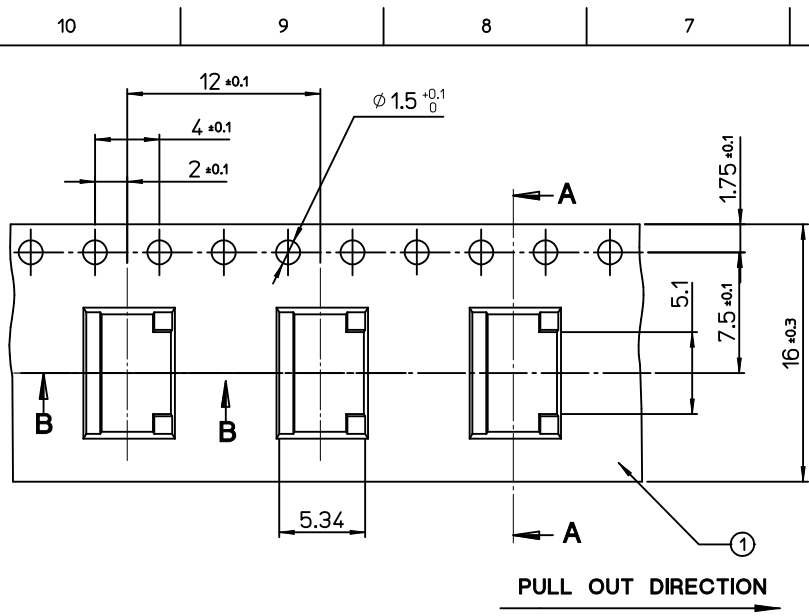
QUALITY SYMBOLS  
=0  
=0  
DESCRIPTION  
REV

GENERAL TOLERANCES (UNLESS SPECIFIED)	
mm	INCH
4 PLACES ± ---	± ---
3 PLACES ± 0.005	± ---
2 PLACES ± 0.05	± ---
1 PLACE ± 0.1	± ---
ANGULAR ± 1 °	
DRAFT WHERE APPLICABLE MUST REMAIN WITHIN DIMENSIONS	

DIMENSION STYLE	
MM ONLY	
DRAWN BY	DATE
JHPARK01	2012/02/24
CHECKED BY	DATE
APPROVED BY	DATE
MATERIAL NO.	
SEE TABLE	
SIZE	A3

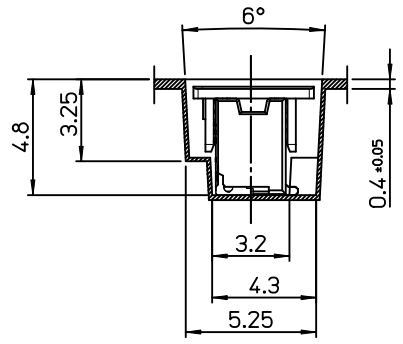
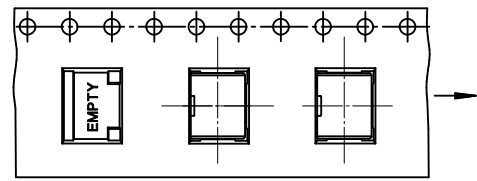
SCALE	4/1	DESIGN UNITS	METRIC	THIRD ANGLE PROJECTION
TITLE				
1.0MM WTB CONN.-5P HEADER ASS'Y				
MOLEX INCORPORATED				
DOCUMENT NO.				SHEET NO.
SD-104127-002				1 OF 01

THIS DRAWING CONTAINS INFORMATION THAT IS PROPRIETARY TO MOLEX INCORPORATED AND SHOULD NOT BE USED WITHOUT WRITTEN PERMISSION

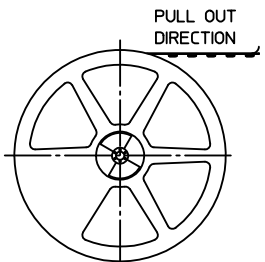


SECTION A-A

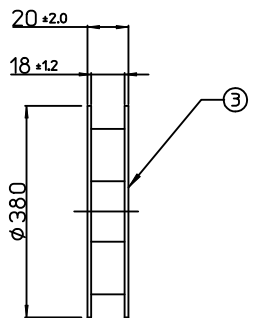
PULL OUT DIRECTION



SECTION B-B



PLASTIC BOBBIN



NOTES

1. QUANTITY OF CONNECTORS : 1,500 PCS/REEL
2. LEAD LENGTH
3. PEELING OFF FORCE OF COVER TAPE : 0.1N~0.59N(10.2GF~60GF)  
 (PEELING DIRECTION AS SHOW IN FOLLOW FIG.)  
 PEELING OFF SPEED : 300mm/Min.(Ref.)

4. FLASH IN ANY PORTION SHOULD BE LESS THAN 0.20mm MAX.
5. UNLESS OTHERWISE SPECIFIED INNER R0.2 MAX
6. DRAFT ANGLE 3°MAX

3	PLASTIC BOBBIN	HI P.S	WHITE
2	COVER TAPE	PET ANTISTATIC	13.3m
1	CARRIER (EMBOSSD) TAPE	PET ANTISTATIC	16.0m
NO.	DESCRIPTION	MATERIAL	REMARK

ORDER NO 104127-0510

RELEASED	EC NO: KOR2012-0092	DRWN: JHPARK01	2012/03/07	CHKD:	APPR: YSKIM02	2012/03/16
A	REV	DESCRIPTION	QUALITY SYMBOLS			

GENERAL TOLERANCES (UNLESS SPECIFIED)	
mm	INCH
4 PLACES ± ---	± ---
3 PLACES ± ---	± ---
2 PLACES ± 0.15	± ---
1 PLACE ± 0.20	± ---
ANGULAR ± 1 °	
DRAFT WHERE APPLICABLE MUST REMAIN WITHIN DIMENSIONS	

DIMENSION STYLE		SCALE	DESIGN UNITS
MM ONLY			METRIC
DRAWN BY	DATE	TITLE	
JHPARK01	2012/02/24	EMBOSSD PACKAGE	
CHECKED BY	DATE	1.0 WTB CONN.	
SHCHU	2012/02/24	HEADER ASS'Y-5P	
APPROVED BY	DATE	MOLEX INCORPORATED	
YSKIM02	2012/03/16	SD-104127-003	
MATERIAL NO.	DOCUMENT NO.	SHEET NO.	
SEE TABLE		1 OF 1	

THIRD ANGLE PROJECTION	
MATERIAL NO.	
DOCUMENT NO.	
SHEET NO.	
THIS DRAWING CONTAINS INFORMATION THAT IS PROPRIETARY TO MOLEX INCORPORATED AND SHOULD NOT BE USED WITHOUT WRITTEN PERMISSION	