

Optocoupler module - UMK-16 OM-R/PF/MKDS - 2972783

Please be informed that the data shown in this PDF Document is generated from our Online Catalog. Please find the complete data in the user's documentation. Our General Terms of Use for Downloads are valid (<http://phoenixcontact.com/download>)



Interface module, with plug-in socket for 16 solid-state relays, with security latch, with screw connection, with light indicator and fuse, control logic: minus switching

The illustration shows a version for 16 pluggable digital I/O modules, or SOLID-state relays



Key commercial data

| | |
|--------------------------------------|-----------|
| Packing unit | 1 pc |
| Weight per Piece (excluding packing) | 654.2 GRM |
| Custom tariff number | 85369010 |
| Country of origin | Germany |

Technical data

Dimensions

| | |
|--------|----------|
| Width | 326.5 mm |
| Height | 77 mm |
| Depth | 72 mm |

Ambient conditions

| | |
|---|------------------|
| Ambient temperature (operation) | -20 °C ... 50 °C |
| Ambient temperature (storage/transport) | -20 °C ... 70 °C |

Input data

| | |
|--------------------------------|-------------------------------|
| Typical input current at U_N | 30 mA (Optocoupler dependent) |
| Status display/channel | Yellow LED |

Output data

| | |
|-----------------------------|-----------------------------|
| Limiting continuous current | 5 A (Optocoupler dependent) |
|-----------------------------|-----------------------------|

Optocoupler module - UMK-16 OM-R/PF/MKDS - 2972783

Technical data

Output data

| | |
|--|-------|
| Nominal supply voltage | 125 V |
| Error detection (line break / short-circuit) | no |

General

| | |
|-----------------------------|------------------------------------|
| No. of channels | 16 |
| Compatible components | Digital I/O modules |
| With components | No |
| Test voltage | 4 kV AC |
| Mounting position | any |
| Assembly instructions | In rows with zero spacing |
| Housing insulation material | PVC, side panel PA non-reinforced, |
| Color | green |
| Standards/regulations | DIN VDE 0110b, Gr. C for 250 V DC |
| | DIN VDE 0160 (in relevant parts) |

Connection data for connection 1

| | |
|--|---------------------|
| Connection name | Input |
| Number of connections | 2 |
| Connection method | Screw connection |
| Number of positions | 20 |
| Conductor cross section stranded min. | 0.2 mm ² |
| Conductor cross section stranded max. | 2.5 mm ² |
| Conductor cross section solid min. | 0.2 mm ² |
| Conductor cross section solid max. | 4 mm ² |
| Conductor cross section AWG/kcmil min. | 24 |
| Conductor cross section AWG/kcmil max | 12 |
| Screw thread | M3 |
| Stripping length | 8 mm |

Classifications

eCl@ss

| | |
|------------|----------|
| eCl@ss 4.0 | 27371102 |
| eCl@ss 4.1 | 27371102 |
| eCl@ss 5.0 | 27371001 |
| eCl@ss 5.1 | 27371001 |
| eCl@ss 6.0 | 27371001 |
| eCl@ss 7.0 | 27371001 |

Optocoupler module - UMK-16 OM-R/PF/MKDS - 2972783

Classifications

ETIM

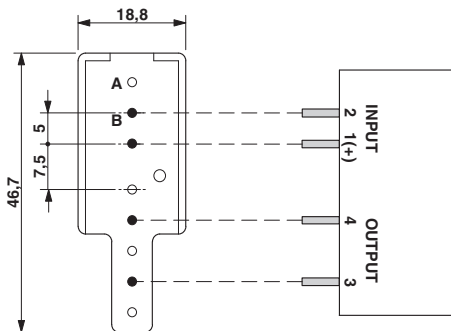
| | |
|----------|----------|
| ETIM 2.0 | EC001504 |
| ETIM 3.0 | EC001504 |
| ETIM 4.0 | EC001504 |
| ETIM 5.0 | EC001504 |

UNSPSC

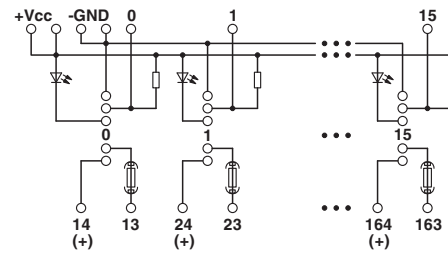
| | |
|---------------|----------|
| UNSPSC 6.01 | 30211916 |
| UNSPSC 7.0901 | 39121542 |
| UNSPSC 11 | 39121542 |
| UNSPSC 12.01 | 39121542 |
| UNSPSC 13.2 | 39121542 |

Drawings

Dimensioned drawing



Circuit diagram



Control logic: Minus switching

A = without metal
B = with metal