

# LM78TXX

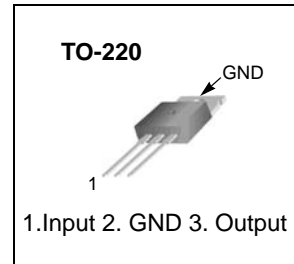
## 3-Terminal 3A Positive Voltage Regulator

### Features

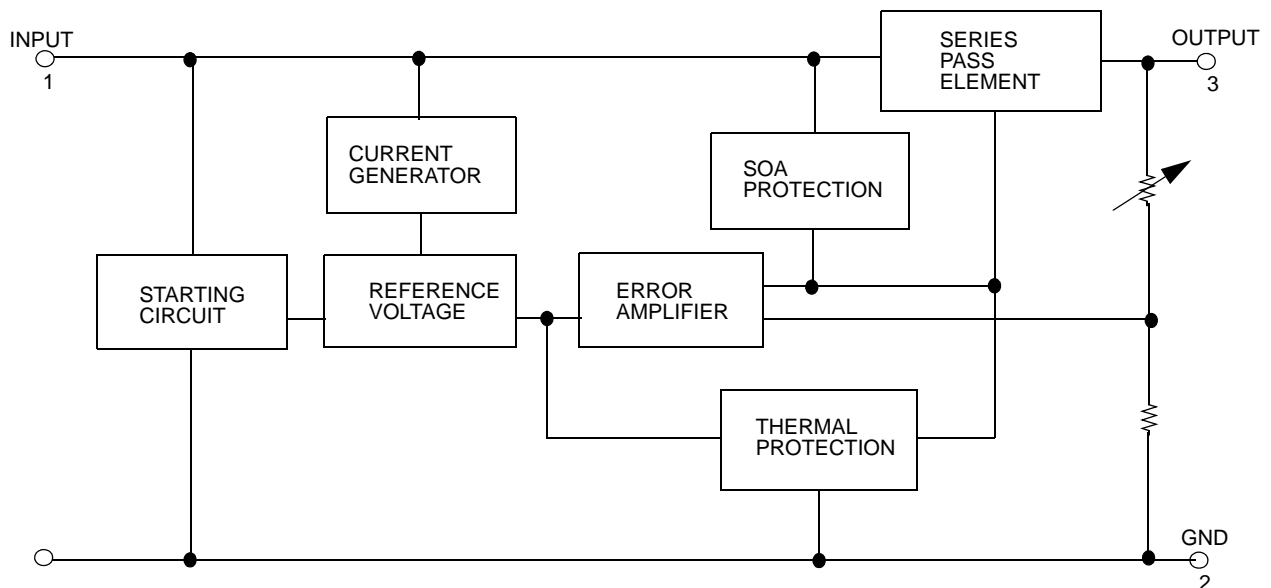
- Output Current in Excess of 3.0A
- Output Transistor Safe Operating Area Compensation
- Power Dissipation :25W
- Internal Short Circuit Current Limiting
- Internal Thermal Overload Protection
- Output Voltage Offered in 4% Tolerance
- No External Components Required
- Output Voltage of 5,12 and 15V

### Description

This family of fixed voltage regulators are monolithic integrated circuit capable of driving loads in excess of 3.0 A.



### Internal Block Diagram



## Absolute Maximum Ratings

Parameter	Symbol	Value	Unit
Input Voltage (for $V_O = 5V$ to $12V$ ) (for $V_O = 15V$ )	$V_I$	35 40	V V
Power Dissipation	PD	Internally limited	
Thermal Resistance, Junction to Air (Note1, 2) $T_a = +25^\circ\text{C}$	$R_{\theta JA}$	65	$^\circ\text{C/W}$
Thermal Resistance, Junction to Case (Note1) $T_c = +25^\circ\text{C}$	$R_{\theta JC}$	2.5	$^\circ\text{C/W}$
Operating Junction Temperature Range	$T_J$	0 ~ +125	$^\circ\text{C}$
Storage Temperature Range	$T_{STG}$	-65 ~ +150	$^\circ\text{C}$

### Note:

- Thermal resistance test board  
Size: 76.2mm \* 114.3mm \* 1.6mm(1S0P)  
JEDEC standard: JESD51-3, JESD51-7
- Assume no ambient airflow.

## Electrical Characteristics(LM78T05)

( $V_I = 10V$ ,  $I_O = 3.0\text{ A}$ ,  $0^\circ\text{C} \leq T_J \leq +125^\circ\text{C}$ ,  $P_o \leq P_{MAX}$  (Note3), unless otherwise specified. )

Parameter	Symbol	Conditions	Min.	Typ.	Max.	Unit
Output Voltage	$V_O$	$5\text{mA} \leq I_O \leq 3.0\text{A}$ , $T_J = +25^\circ\text{C}$ $7.3\text{V} \leq V_I \leq 20\text{V}$ , $5\text{mA} \leq I_O \leq 2.0\text{A}$	4.8 4.75	5.0 5.0	5.2 5.25	V
Line Regulation (Note4)	$\Delta V_O$	$7.2\text{V} \leq V_I \leq 35\text{V}$ , $I_O = 5\text{mA}$ , $T_J = +25^\circ\text{C}$ $7.2\text{V} \leq V_I \leq 35\text{V}$ , $I_O = 1.0\text{A}$ , $T_J = +25^\circ\text{C}$ $7.5\text{V} \leq V_I \leq 20\text{V}$ , $I_O = 2.0\text{A}$ , $T_J = +25^\circ\text{C}$ $8.0\text{V} \leq V_I \leq 12\text{V}$ , $I_O = 3.0\text{A}$ , $T_J = +25^\circ\text{C}$	-	3.0	25	mV
Load Regulation (Note4)	$\Delta V_O$	$5\text{mA} \leq I_O \leq 3.0\text{A}$ , $T_J = +25^\circ\text{C}$ $5\text{mA} \leq I_O \leq 3.0\text{A}$	-	10 15	30 80	mV mV
Thermal Regulation	$REG_T$	Pulse = 10ms, $P = 20\text{W}$ $T_A = +25^\circ\text{C}$	-	0.002	0.03	% $V_O/W$
Quiescent Current	$I_Q$	$5\text{mA} \leq I_O \leq 3.0\text{A}$ , $T_J = +25^\circ\text{C}$ $5\text{mA} \leq I_O \leq 3.0\text{A}$	-	3.5 4.0	5.0 6.0	mA mA
Quiescent Current Change	$\Delta I_Q$	$7.2\text{V} \leq V_I \leq 35\text{V}$ , $I_O = 5\text{mA}$ $T_J = +25^\circ\text{C}$ ; $7.5\text{V} \leq V_I \leq 20\text{V}$ , $I_O = 2.0\text{A}$ ; $5\text{mA} \leq I_O \leq 3.0\text{A}$ , $T_J = +25^\circ\text{C}$	-	0.1	0.8	mA
Ripple Rejection	RR	$f = 120\text{Hz}$ , $8\text{V} \leq V_I \leq 18\text{V}$ , $I_O = 2.0\text{A}$ $T_J = +25^\circ\text{C}$	-	75	-	dB
Dropout Voltage	$V_D$	$I_O = 3\text{A}$ , $T_J = +25^\circ\text{C}$	-	2.2	2.5	V
Output Noise Voltage	$V_N$	$T_A = +25^\circ\text{C}$ , $10\text{Hz} \leq f \leq 100\text{kHz}$	-	10	-	$\mu\text{V}/V_O$
Peak Output Current	$I_{PK}$	$T_A = +25^\circ\text{C}$	-	5.0	-	A
Output Resistance	$R_O$	$f = 1.0\text{kHz}$	-	2.0	-	$\text{m}\Omega$
Short Circuit Current Limit	$I_{SC}$	$V_I = 35\text{V}$ , $T_J = +25^\circ\text{C}$	-	1.5	2.5	A
Average Temperature Coefficient of Output Voltage	$\Delta V_O/\Delta T$	$I_O = 5.0\text{mA}$	-	0.2	-	$\text{mV}/^\circ\text{C}$

### Note:

- Although power dissipation is internally limited, specifications apply only for  $P_O \leq P_{max}$ ,  $P_{max} = 25\text{W}$
- Load and line regulation are specified at constant junction temperature. Change in  $V_O$  due heating effects must be taken into account separately. Pulse testing with low duty is used.

**Electrical Characteristics(LM78T12)** (Continued)(V<sub>I</sub> = 19V, I<sub>O</sub> = 3.0 A, 0°C ≤ T<sub>J</sub> ≤ +125°C, P<sub>O</sub> ≤ P<sub>MAX</sub> (Note1), unless otherwise specified. )

Parameter	Symbol	Conditions	Min.	Typ.	Max.	Unit
Output Voltage	V <sub>O</sub>	5mA ≤ I <sub>O</sub> ≤ 3.0A , T <sub>J</sub> = +25°C 14.5V ≤ V <sub>I</sub> ≤ 27V, 5mA ≤ I <sub>O</sub> ≤ 2.0A	11.5 11.4	12 12	12.5 12.8	V
Line Regulation (Note2)	ΔV <sub>O</sub>	14.5V ≤ V <sub>I</sub> ≤ 35V, I <sub>O</sub> = 5mA, T <sub>J</sub> = +25°C 14.5V ≤ V <sub>I</sub> ≤ 35V, I <sub>O</sub> = 1.0A, T <sub>J</sub> = +25°C 14.9V ≤ V <sub>I</sub> ≤ 28V, I <sub>O</sub> = 2.0A, T <sub>J</sub> = +25°C 16V ≤ V <sub>I</sub> ≤ 22V, I <sub>O</sub> = 3.0A, T <sub>J</sub> = +25°C	-	6.0	45	mV
Load Regulation (Note2)	ΔV <sub>O</sub>	5mA ≤ I <sub>O</sub> ≤ 3.0A, T <sub>J</sub> = +25°C 5mA ≤ I <sub>O</sub> ≤ 3.0A	-	10 15	30 80	mV mV
Thermal Regulation	REG <sub>T</sub>	Pulse = 10ms, P = 20W T <sub>A</sub> = +25°C	-	0.002	0.03	%V <sub>O</sub> /W
Quiescent Current	I <sub>Q</sub>	5mA ≤ I <sub>O</sub> ≤ 3.0A, T <sub>J</sub> = +25°C 5mA ≤ I <sub>O</sub> ≤ 3.0A	-	3.5 4.0	5.0 6.0	mA mA
Quiescent Current Change	ΔI <sub>Q</sub>	14.5V ≤ V <sub>I</sub> ≤ 35V, I <sub>O</sub> = 5mA T <sub>J</sub> = +25°C ; 14.9V ≤ V <sub>I</sub> ≤ 27V, I <sub>O</sub> = 2.0A ; 5mA ≤ I <sub>O</sub> ≤ 3.0A, T <sub>J</sub> = +25°C	-	0.1	0.8	mA
Ripple Rejection	RR	f = 120Hz, 15V ≤ V <sub>I</sub> ≤ 25V, I <sub>O</sub> = 2.0A T <sub>J</sub> = +25°C	-	67	-	dB
Dropout Voltage	V <sub>D</sub>	I <sub>O</sub> = 3A, T <sub>J</sub> = +25°C	-	2.2	2.5	V
Output Noise Voltage	V <sub>N</sub>	T <sub>A</sub> = +25°C, 10Hz ≤ f ≤ 100kHz	-	10	-	μV/V <sub>O</sub>
Peak Output Current	I <sub>PK</sub>	T <sub>A</sub> = +25°C	-	5.0	-	A
Output Resistance	R <sub>O</sub>	f = 1.0kHz	-	2.0	-	mΩ
Short Circuit Current Limit	I <sub>SC</sub>	V <sub>I</sub> = 35V, T <sub>J</sub> = +25°C	-	1.5	2.5	A
Average Temperature Coefficient of Output Voltage	ΔV <sub>O</sub> /ΔT	I <sub>O</sub> = 5.0mA	-	0.5	-	mV/°C

**Note:**

1. Although power dissipation is internally limited, specifications apply only for P<sub>O</sub> ≤ P<sub>max</sub>, P<sub>max</sub> = 25W
2. Load and line regulation are specified at constant junction temperature. Change in V<sub>O</sub> due heating effects must be taken into account separately. Pulse testing with low duty is used. ( P<sub>MAX</sub> = 25W)

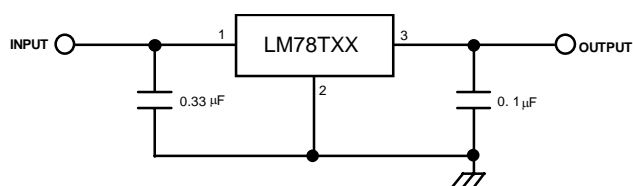
**Electrical Characteristics(LM78T15)** (Continued)(V<sub>I</sub> = 23V, I<sub>O</sub> = 3.0 A, 0°C ≤ T<sub>J</sub> ≤ +125°C, P<sub>O</sub> ≤ P<sub>MAX</sub> (Note1), unless otherwise specified. )

Parameter	Symbol	Conditions	Min.	Typ.	Max.	Unit
Output Voltage	V <sub>O</sub>	5mA ≤ I <sub>O</sub> ≤ 3.0A, T <sub>J</sub> = +25°C 17.5V ≤ V <sub>I</sub> ≤ 30V, 5mA ≤ I <sub>O</sub> ≤ 2.0A	14.4 14.25	15 15	15.6 15.75	V
Line Regulation (Note2)	ΔV <sub>O</sub>	17.6V ≤ V <sub>I</sub> ≤ 40V, I <sub>O</sub> = 5mA, T <sub>J</sub> = +25°C 17.6V ≤ V <sub>I</sub> ≤ 40V, I <sub>O</sub> = 1.0A, T <sub>J</sub> = +25°C 18V ≤ V <sub>I</sub> ≤ 30V, I <sub>O</sub> = 2.0A, T <sub>J</sub> = +25°C 20V ≤ V <sub>I</sub> ≤ 26V, I <sub>O</sub> = 3.0A, T <sub>J</sub> = +25°C	-	7.5	55	mV
Load Regulation (Note2)	ΔV <sub>O</sub>	5mA ≤ I <sub>O</sub> ≤ 3.0A, T <sub>J</sub> = +25°C 5mA ≤ I <sub>O</sub> ≤ 3.0A	-	10 15	30 80	mV mV
Thermal Regulation	REG <sub>T</sub>	Pulse = 10ms, P = 20W T <sub>A</sub> = +25°C	-	0.002	0.03	%V <sub>O</sub> /W
Quiescent Current	I <sub>Q</sub>	5mA ≤ I <sub>O</sub> ≤ 3.0A, T <sub>J</sub> = +25°C 5mA ≤ I <sub>O</sub> ≤ 3.0A	-	3.5 4.0	5.0 6.0	mA mA
Quiescent Current Change	ΔI <sub>Q</sub>	17.6V ≤ V <sub>I</sub> ≤ 40V, I <sub>O</sub> = 5mA T <sub>J</sub> = +25°C ; 18V ≤ V <sub>I</sub> ≤ 30V, I <sub>O</sub> = 2.0A ; 5mA ≤ I <sub>O</sub> ≤ 3.0A, T <sub>J</sub> = +25°C	-	0.1	0.8	mA
Ripple Rejection	RR	f = 120Hz, 18.5V ≤ V <sub>I</sub> ≤ 28.5V, I <sub>O</sub> = 2.0A T <sub>J</sub> = +25°C	-	65	-	dB
Dropout Voltage	V <sub>D</sub>	I <sub>O</sub> = 3A, T <sub>J</sub> = +25°C	-	2.2	2.5	V
Output Noise Voltage	V <sub>N</sub>	T <sub>A</sub> = +25°C, 10Hz ≤ f ≤ 100kHz	-	10	-	μV/V <sub>O</sub>
Peak Output Current	I <sub>PK</sub>	T <sub>A</sub> = +25°C	-	5.0	-	A
Output Resistance	R <sub>O</sub>	f = 1.0kHz	-	2.0	-	mΩ
Short Circuit Current Limit	I <sub>sc</sub>	V <sub>I</sub> = 40V, T <sub>J</sub> = +25°C	-	1.0	2.0	A
Average Temperature Coefficient of Output Voltage	ΔV <sub>O</sub> /ΔT	I <sub>O</sub> = 5.0mA	-	0.5	-	mV/°C

**Note:**

1. Although power dissipation is internally limited, specifications apply only for P<sub>O</sub> ≤ P<sub>max</sub>, P<sub>max</sub> = 25W
2. Load and line regulation are specified at constant junction temperature. Change in V<sub>O</sub> due heating effects must be taken into account separately. Pulse testing with low duty is used. ( P<sub>MAX</sub> = 25W)

## Typical Application

**Note:**

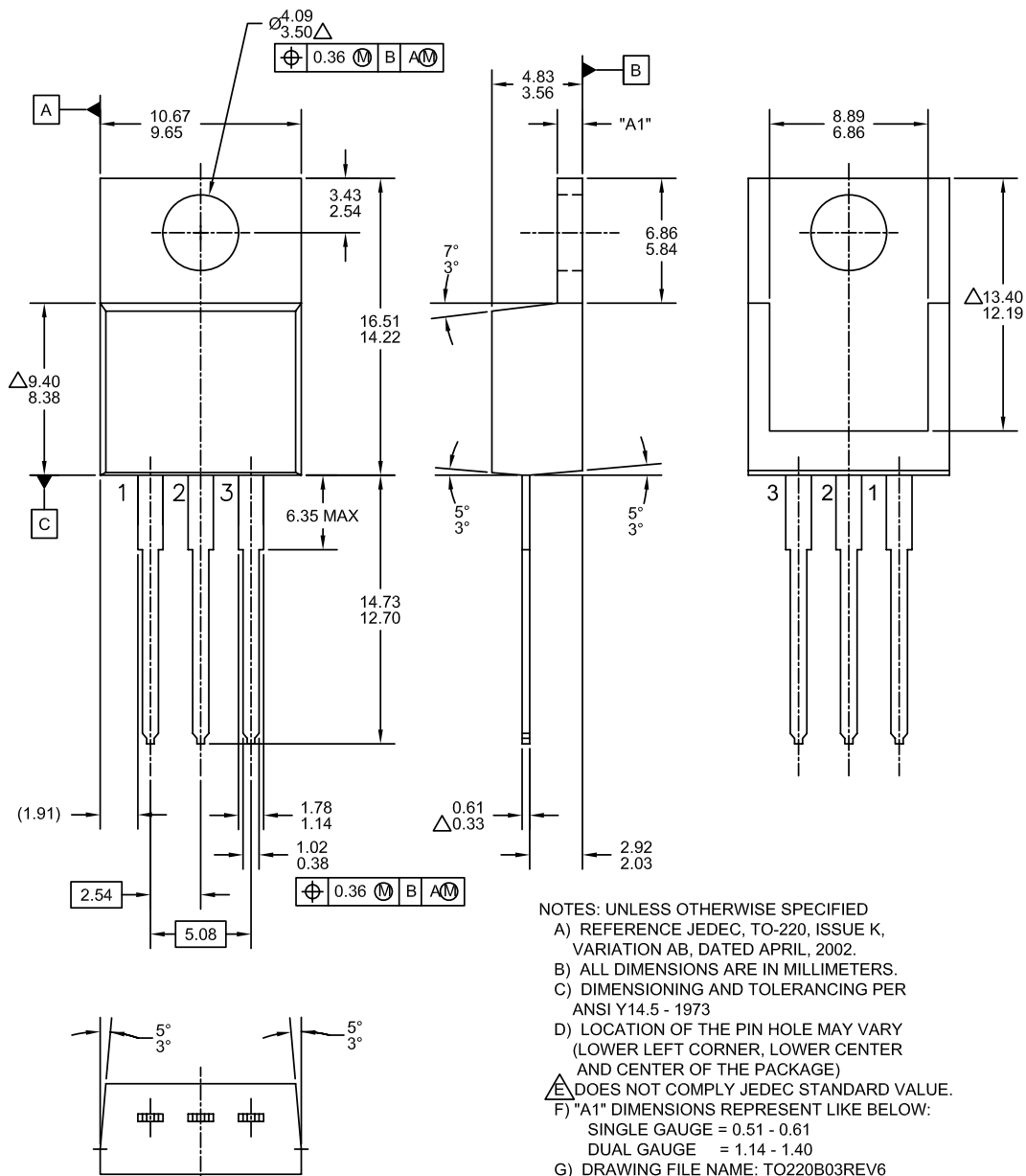
1. To specify an output voltage, substitute voltage value for "XX".
2. Bypass Capacitors are recommend for optimum stability and transient response and should be located as close as possible to the regulator

# Mechanical Dimensions

## Package

Dimensions in millimeters

### TO-220 [ SINGLE GAUGE ]



- NOTES: UNLESS OTHERWISE SPECIFIED
- A) REFERENCE JEDEC, TO-220, ISSUE K, VARIATION AB, DATED APRIL, 2002.
  - B) ALL DIMENSIONS ARE IN MILLIMETERS.
  - C) DIMENSIONING AND TOLERANCING PER ANSI Y14.5 - 1973
  - D) LOCATION OF THE PIN HOLE MAY VARY (LOWER LEFT CORNER, LOWER CENTER AND CENTER OF THE PACKAGE)
  - E)  $\Delta$  DOES NOT COMPLY JEDEC STANDARD VALUE.
  - F) "A1" DIMENSIONS REPRESENT LIKE BELOW:  
 SINGLE GAUGE = 0.51 - 0.61  
 DUAL GAUGE = 1.14 - 1.40
  - G) DRAWING FILE NAME: TO220B03REV6

---

## Ordering Information

Product Number	Package	Operating Temperature
LM78T05CT	TO-220	0 ~ +125°C
LM78T12CT		
LM78T15CT		

**DISCLAIMER**

FAIRCHILD SEMICONDUCTOR RESERVES THE RIGHT TO MAKE CHANGES WITHOUT FURTHER NOTICE TO ANY PRODUCTS HEREIN TO IMPROVE RELIABILITY, FUNCTION OR DESIGN. FAIRCHILD DOES NOT ASSUME ANY LIABILITY ARISING OUT OF THE APPLICATION OR USE OF ANY PRODUCT OR CIRCUIT DESCRIBED HEREIN; NEITHER DOES IT CONVEY ANY LICENSE UNDER ITS PATENT RIGHTS, NOR THE RIGHTS OF OTHERS.

**LIFE SUPPORT POLICY**

FAIRCHILD'S PRODUCTS ARE NOT AUTHORIZED FOR USE AS CRITICAL COMPONENTS IN LIFE SUPPORT DEVICES OR SYSTEMS WITHOUT THE EXPRESS WRITTEN APPROVAL OF THE PRESIDENT OF FAIRCHILD SEMICONDUCTOR CORPORATION. As used herein:

1. Life support devices or systems are devices or systems which, (a) are intended for surgical implant into the body, or (b) support or sustain life, and (c) whose failure to perform when properly used in accordance with instructions for use provided in the labeling, can be reasonably expected to result in a significant injury of the user.
2. A critical component in any component of a life support device or system whose failure to perform can be reasonably expected to cause the failure of the life support device or system, or to affect its safety or effectiveness.