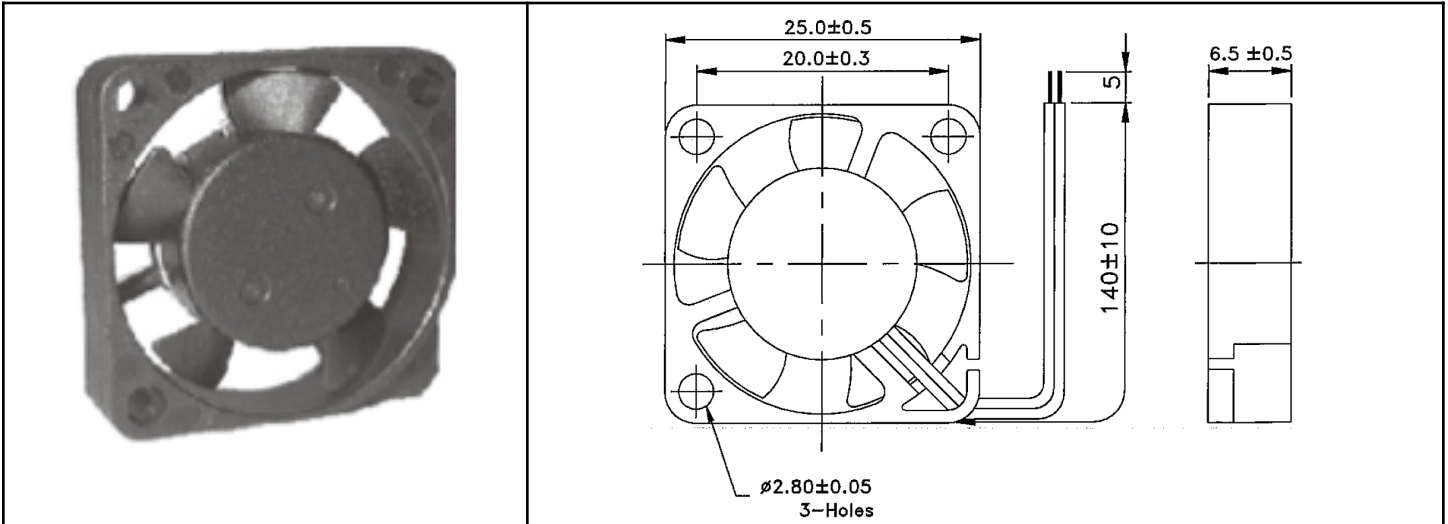


OD2506 Series



DC Fan - 5, 12V
25x6.5mm (1.0"x 0.26")



Frame & Impeller	PBT, UL94V-O plastic	Available Options: Tachometer (Frequency Generator) White Lead Alarm (Rotation Detector) Yellow Lead Life Expectancy (L10) 65000 hrs Operating Temperature -20 ~ 70C	
Connection	2x Lead wires 28AWG		
Motor	Brushless DC, auto restart, polarity protected		
Bearing System	Ball or Sealed Sleeve		
Insulation Resistance	10M ohm between leadwire and frame (500VDC)		
Dielectric Strength	1 second at 500 VAC, max leakage - 500 MicroAmp		
Storage Temperature	-30C ~ +90C		

Model Number	Speed (RPM)	Airflow (CFM)	Noise (dB)	Volts DC	Voltage Range (VDC)	Amps	Max. Static Pressure ("H2O)
OD2506-05H *	14000	2.4	31	5	3.5 ~ 6	0.15	0.19
OD2506-05M *	12000	2.1	28	5	3.5 ~ 6	0.13	0.16
OD2506-05L *	9000	1.8	20	5	3.5 ~ 6	0.08	0.10
OD2506-05LL *	7000	1.2	13	5	3.5 ~ 6	0.08	0.05
OD2506-12H *	14000	2.4	31	12	6.0 ~ 16	0.09	0.19
OD2506-12M *	12000	2.1	28	12	6.0 ~ 16	0.06	0.16

* Indicate "B" for ball / sleeve bearing or "SS" for sleeve bearing