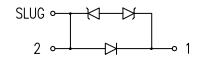
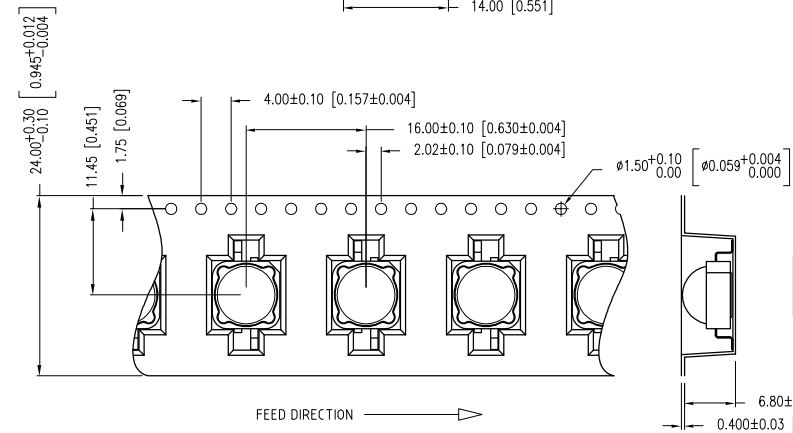
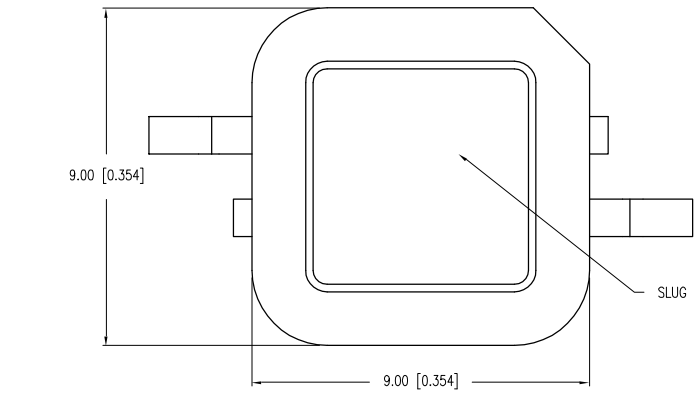
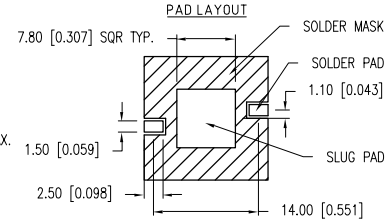
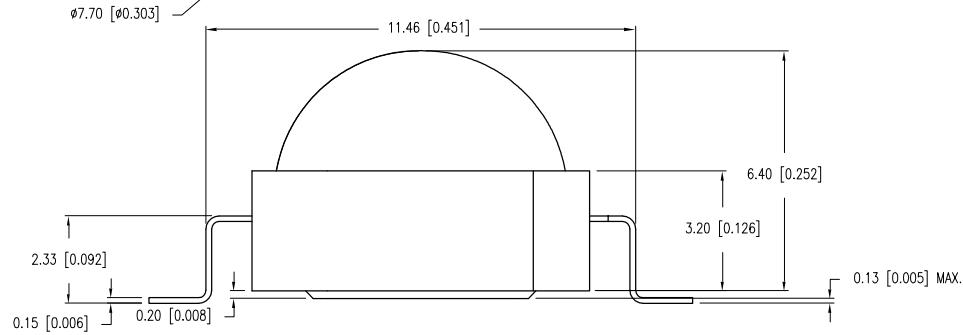
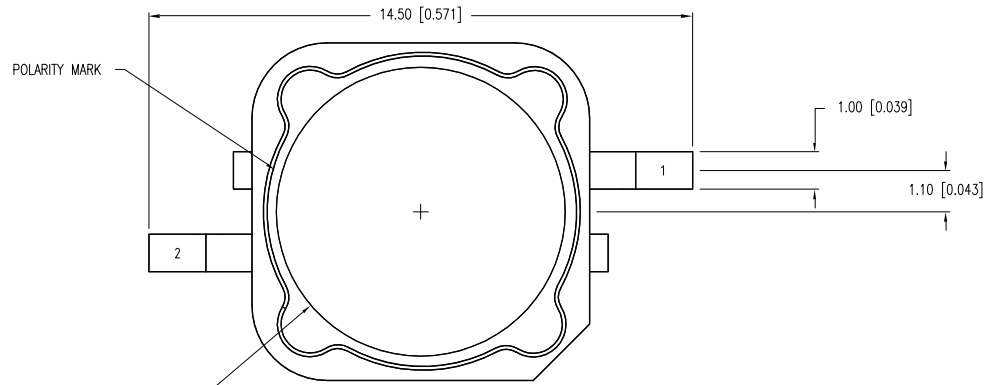


PART NUMBER	SML-LXL99MWC-TR/5	REV.	
DATE	E.C.N. NUMBER AND REVISION COMMENTS	REV.	
06.15.10	E.C.N. #: 11648 & REDRAWN	A	



CAUTION: STATIC SENSITIVE DEVICE  
FOLLOW PROPER E.S.D. HANDLING PROCEDURES  
WHEN WORKING WITH THIS PART.

ELECTRO-OPTICAL CHARACTERISTICS  $T_A=25^{\circ}\text{C}$   $I_f=1200\text{mA}$

PARAMETER	MIN	TYP	MAX	UNITS	TEST COND
PEAK WAVELENGTH		4.5	5.1	nm	
FORWARD VOLTAGE				$V_f$	$I_f = 1200\text{mA}$
REVERSE VOLTAGE	5.0			$V_r$	$I_f = 100\mu\text{A}$
AXIAL INTENSITY	140	220		lm	$I_f = 1200\text{mA}$
COLOR TEMP	2580	2700	2870	K	
VIEWING ANGLE		100		$2x$ theta	
EMITTED COLOR:	WHITE				
EPOXY LENS FINISH:	WATER CLEAR				

LIMITS OF SAFE OPERATION AT  $25^{\circ}\text{C}$

PARAMETER	MAX	UNITS
PEAK FORWARD CURRENT*	1500	mA
STEADY CURRENT	1200	mA
LED JUNCTION TEMPERATURE	110	$^{\circ}\text{C}$
DERATE FROM $25^{\circ}\text{C}$	- 1.2	mW/ $^{\circ}\text{C}$
OPERATING, STORAGE TEMP.	-40 TO +100	$^{\circ}\text{C}$
IRON SOLDERING	350	$^{\circ}\text{C}$
SOLDERING TIME	3	SEC

\* $T < 10\mu\text{s}$

NOTES:  
1. NOT REFLOW SOLDERING COMPATIBLE.

