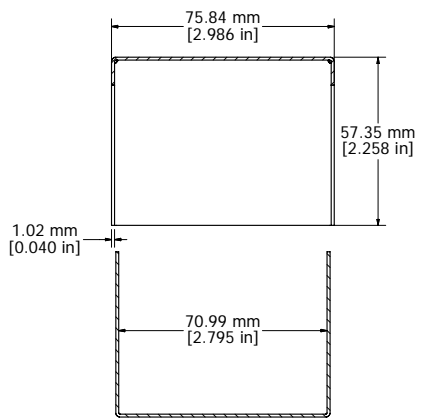
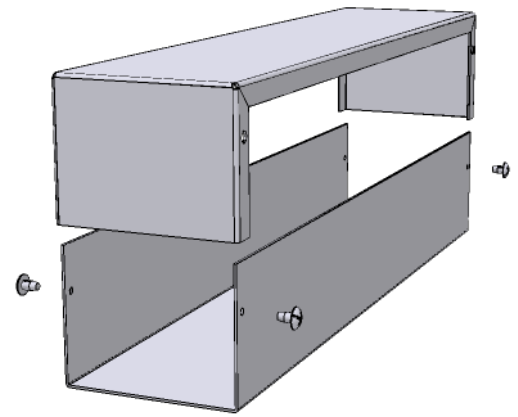


ASSEMBLY - VIEW FROM SIDE (OPEN)



SECTION AAA-AAA



- 12 GAUGE NATURAL ALUMINUM BODY - 1411WU
- ASA 61 GREY POWDER PAINTED ALUMINUM BODY - 1411W
- 0.040" THICK ALUMINUM PANELS
- FOUR 6-32 NICKEL PLATED SCREWS
- FOUR SELF ADHESIVE RUBBER FEET

Contact Factory [mjm@hammondmfg.com](mailto:mjm@hammondmfg.com) for quotes  
 Enclosures can be Factory Modified ( Milling, Drilling, Printing etc. )  
 Solid models of this enclosure available in STEP or IGES.



**HAMMOND  
MANUFACTURING™**

**1411X**

[www.hammondmfg.com](http://www.hammondmfg.com)