

4

3

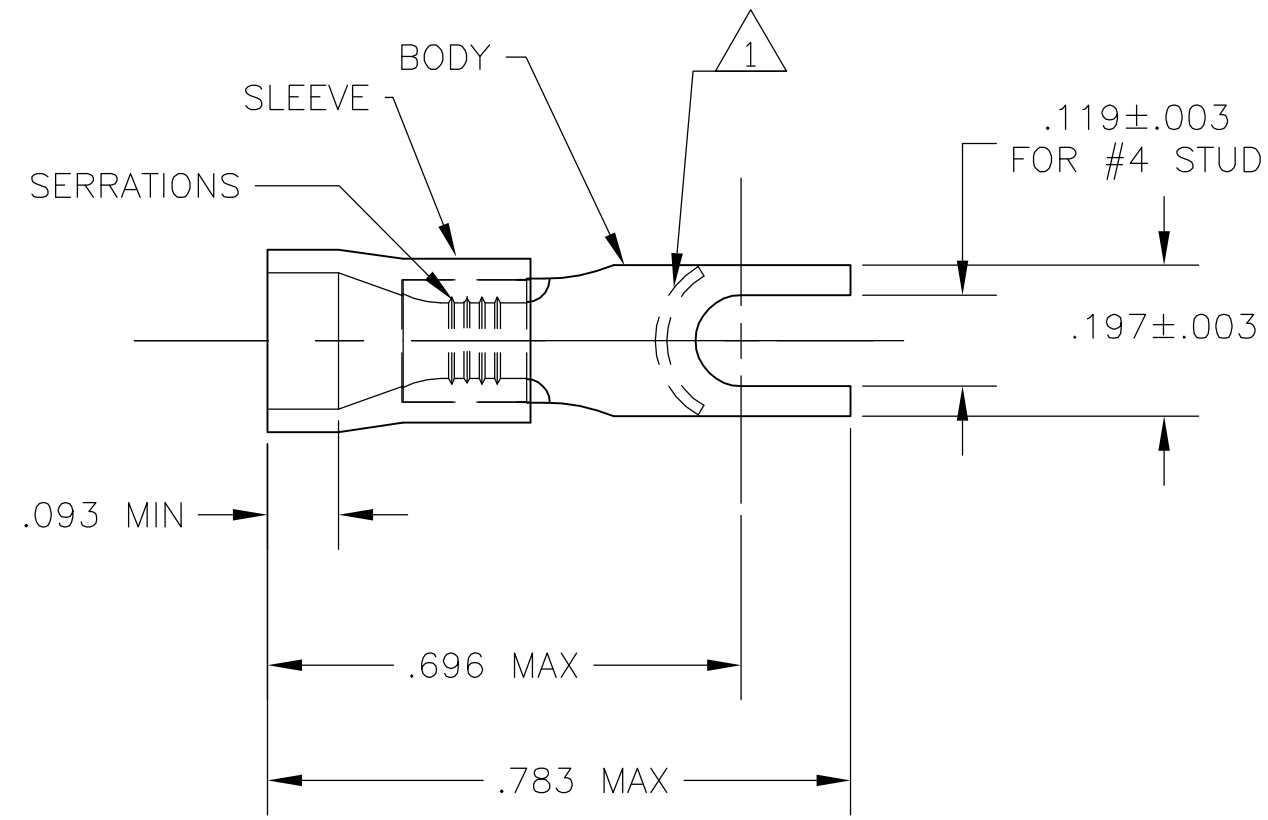
2

1

THIS DRAWING IS UNPUBLISHED. RELEASED FOR PUBLICATION  
 © COPYRIGHT - BY TYCO ELECTRONICS CORPORATION. ALL RIGHTS RESERVED.

LOC	DIST	REVISIONS			
P	LTR	DESCRIPTION	DATE	DWN	APVD
G	86	A	DRAWN	16FEB06	JR TM

- 1 STAMP AMP 16-14, LOCATE APPROX AS SHOWN.
- 2 WIRE INSULATION DIA IS .118-.193
- 3 TONGUE THICKNESS IS .031±.002
- 4 MATERIAL: BODY-CU PER ASTM B152 SLEEVE-PVC, COLOR BLUE



1000	LOOSE PIECE	132528-1
QTY	PACKAGE TYPE	PART NO

THIS DRAWING IS A CONTROLLED DOCUMENT.		DWN jr ruth 16FEB06	Tyco Electronics Corporation Harrisburg, PA 17105-3608	
DIMENSIONS: INCHES		CHK T MICHIELUTTI 16FEB06		
		APVD T MICHIELUTTI 16FEB06	NAME	
TOLERANCES UNLESS OTHERWISE SPECIFIED:		PRODUCT SPEC	TERMINAL, SPADE, PLASTI-GRIP, WIRE SIZE 16-14 AWG	
0 PLC ± -		APPLICATION SPEC	-	
1 PLC ± -		WEIGHT	-	
2 PLC ± -		SIZE A3	CAGE CODE 00779	DRAWING NO C-132528
3 PLC ± .008		RESTRICTED TO		
4 PLC ± -		-		
ANGLES ± 5'		CUSTOMER DRAWING		
MATERIAL - 4		SCALE 4:1 SHEET 1 of 1 REV A		
FINISH - 4				