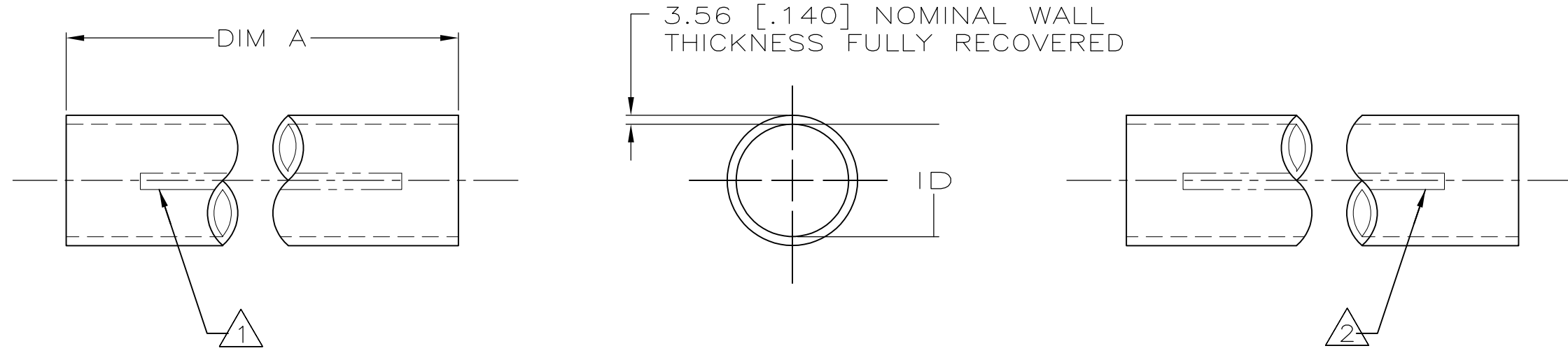


THIS DRAWING IS UNPUBLISHED. RELEASED FOR PUBLICATION, 19  
 © COPYRIGHT 19 BY AMP INCORPORATED. ALL INTERNATIONAL RIGHTS RESERVED.

LOC AA DIST 25 P F

REVISIONS				
ZONE	LTR	DESCRIPTION	DATE	APPD
	Z	REV; EC 0230-0074-94	1-21-94	WC DK
	Z1	REVISED PER ECO-09-020774	24AUG09	KK AEG



38.10 [1.500] MINIMUM EXPANDED  
 12.70 [.500] MAXIMUM RECOVERED

- ① PRODUCT MARKED WITH AMP, AND DATE CODE WITH 6.35 [.25] HIGH CHARACTERS USING WHITE INK LOCATED ALONG THIS SURFACE. REPEAT EVERY 203.2 [8.0].
- ② PRODUCT MARKED 1.500 - .500/ 38.1mm - 12.7mm WITH 6.35 [.25] HIGH CHARACTERS USING WHITE INK LOCATED ALONG THIS SURFACE. REPEATED EVERY 203.2 [8.0].
- 3. SEALANT APPLIED TO TUBING THROUGHOUT LENGTH.
- 4. DIMENSIONS SPECIFIED WITHOUT SEALANT.
- ⑤ WEIGHT PER LINEAR FOOT: 81.6 GRAMS/ .18 POUNDS.
- ⑥ OBSOLETE PARTS: OBSOLETE CIS STREAMLINING PER D.RENAUD/D.SINISI

⑥ OBSOLETE

1244.6 - 1219.2 [49.00 - 48.00]	1-53703-3
762.0 ±6.4 [30.00 ±.25]	53713-7
304.8 ±4.8 [12.00 ±.19]	53713-4
228.6 ±4.8 [9.00 ±.19]	53713-3
152.4 ±4.8 [6.00 ±.19]	53713-2
DIM A	PART NO

DO NOT SCALE PRINT. UNLESS SPECIFIED DIMENSIONS IN mm [INCHES] TOLERANCES ON: 2 PLC DEC ± - 3 PLC DEC ± - ANGLES ± -	DR 1-21-94 W CHANDLER
	CHK 2-14-94 D.KAAT
	APPD 2-14-94 D.KAAT
	APPD 2-14-94 D.KAAT
MATERIAL BLACK POLYOLEFIN	PRODUCT SPEC -
FINISH -	APPLICATION SPEC -
	WEIGHT ⑤

<b>AMP</b> AMP Incorporated Harrisburg, PA 17105-3608		
NAME AMPSULATION HWP31, HST WITH SEALANT 1.500 INCHES DIAMETER		
SIZE B	CAGE CODE 00779	DRAWING NO C-53713
SCALE -	SHEET 1 OF 1	

THIS DRAWING IS A CONTROLLED DOCUMENT FOR AMP INCORPORATED. IT IS SUBJECT TO CHANGE AND THE CONTROLLING ENGINEERING ORGANIZATION SHOULD BE CONTACTED FOR THE LATEST REVISION.