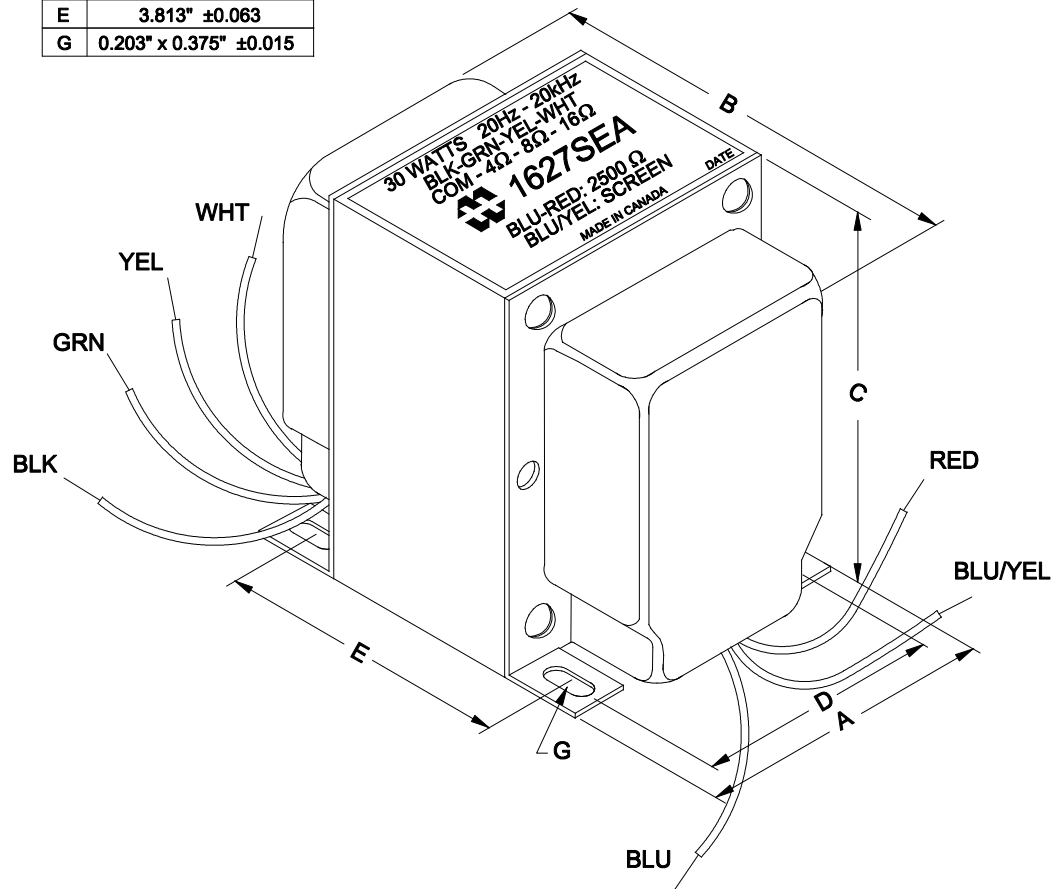
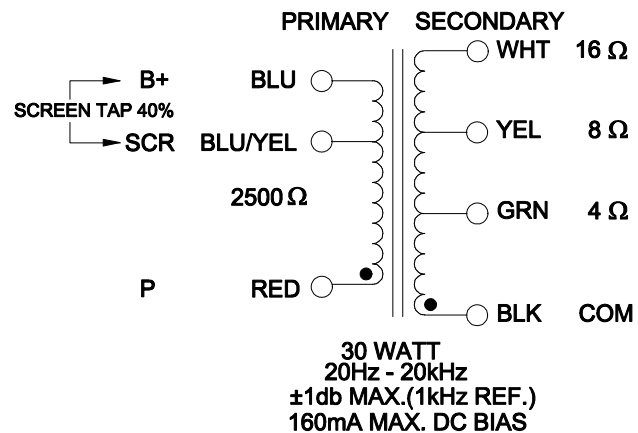


DIMENSIONS:	
A	3.750" ±0.063
B	4.935" ±0.125
C	4.560" ±0.063
D	3.000" ±0.063
E	3.813" ±0.063
G	0.203" x 0.375" ±0.015



NOTE: ALL LEADS 8" OUT MIN.



ELECTRICAL DATA:		
TESTS	CONDITIONS	ACCEPTANCE CRITERIA
Iex	@ 240V, 60Hz, RED - BLU	31.79mA Max.
Sec. N.L.V	@ 240V, 60Hz, RED - BLU	
	RED - BLU/YEL =	144.0V ±2%
	BLU/YEL - BLU =	96.00V ±2%
	BLK - GRN =	9.600V ±2%
	BLK - YEL =	13.64V ±2%
	BLK - WHT =	19.20V ±2%
DCR	@ 20°C, RED - BLU/YEL =	47.44 Ω ±20%
	@ 20°C, BLU/YEL - BLU =	30.00 Ω ±20%
	@ 20°C, BLK - GRN =	0.402 Ω ±20%
	@ 20°C, BLK - YEL =	0.502 Ω ±20%
	@ 20°C, BLK - WHT =	0.700 Ω ±20%
HIPOT	PRIMARY - SECONDARY	2828VDC, 1 SEC

REV.#	REVISION	DATE
0	RELEASED.	C.I. 05/04/15
1	REVISED TEST CONDITIONS.	C.I. 01/06/16

**HAMMOND ELECTRONIC DIVISION**  
**MANUFACTURING™**  
 52 RANKIN PLACE,  
 WATERLOO, ONTARIO, N2J 3Z5  
 PH # (519) 886-6181  
 FAX # (519) 886-9540

DWG. BY: C. ILIE  
 DATE: 05/04/15

CHK'D BY:  
 APP'D. BY:  
 DIMENSIONS: IN(X) MM( )

TITLE: SINGLE ENDED  
 "CLASSIC" TUBE OUTPUT  
 ULTRA-LINEAR TRANSFORMER

DWG. NO.  
 1627SEA