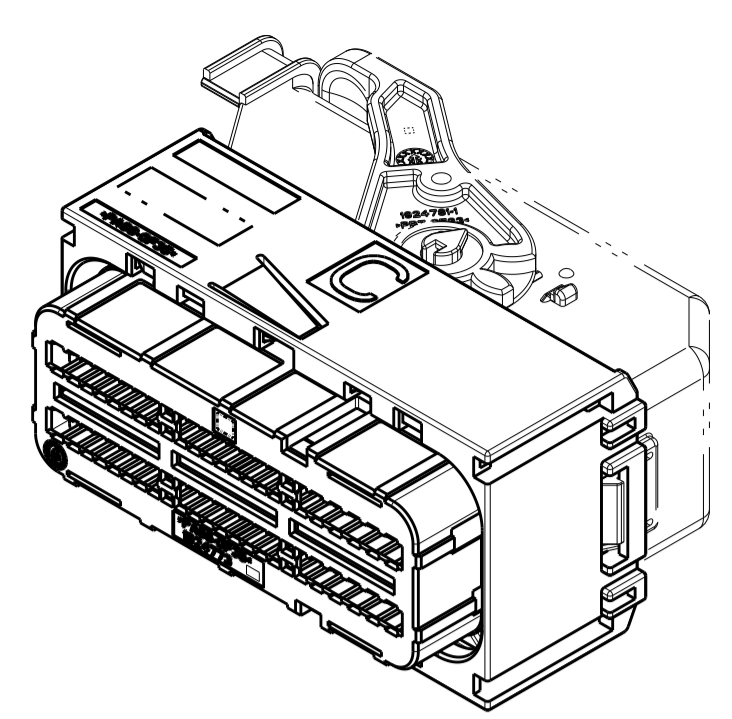
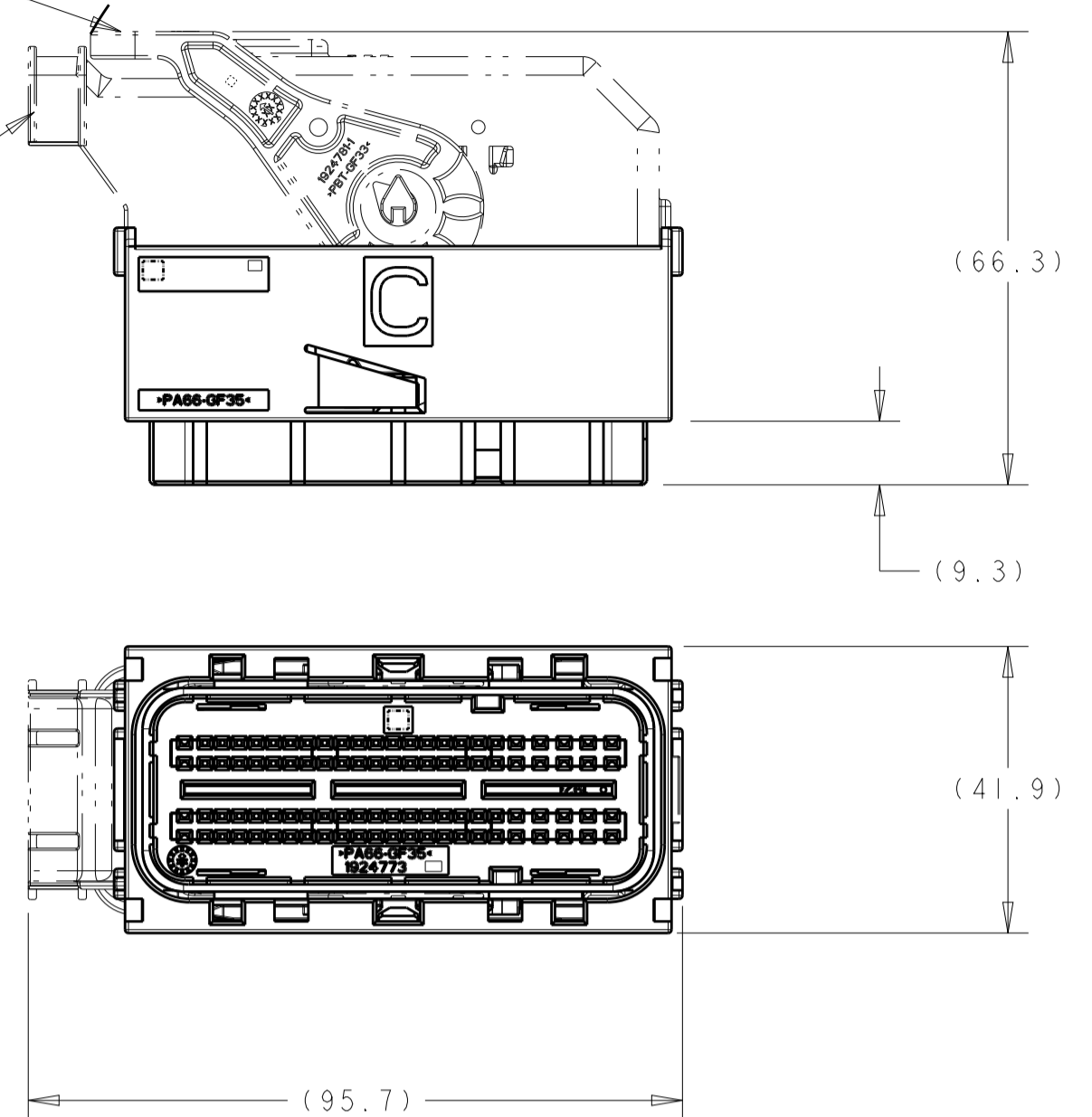


REVISIONS				
P.	LTN	DESCRIPTION	DATE	APPV
B		REVISED PER ECO-16-005492	11APR2016	DLD WEM

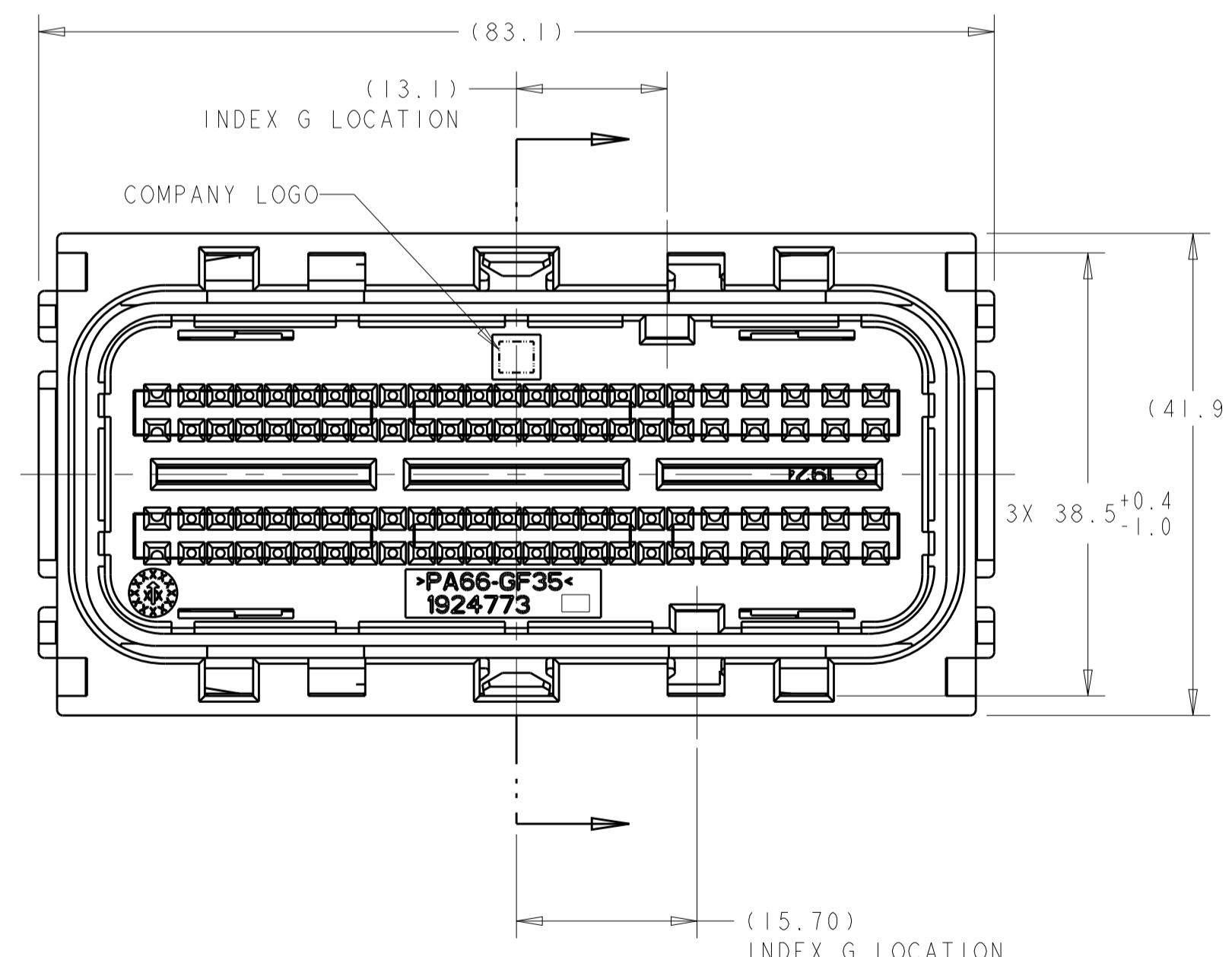
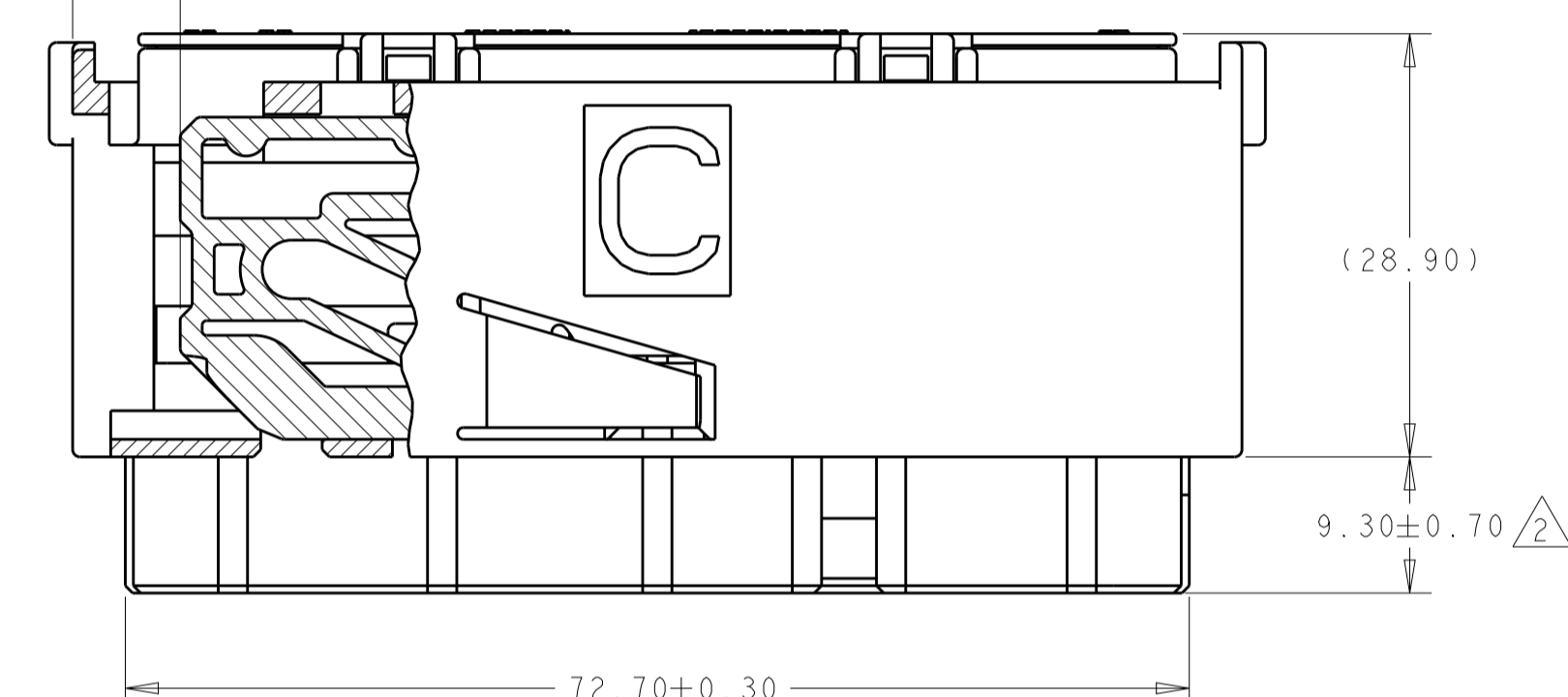
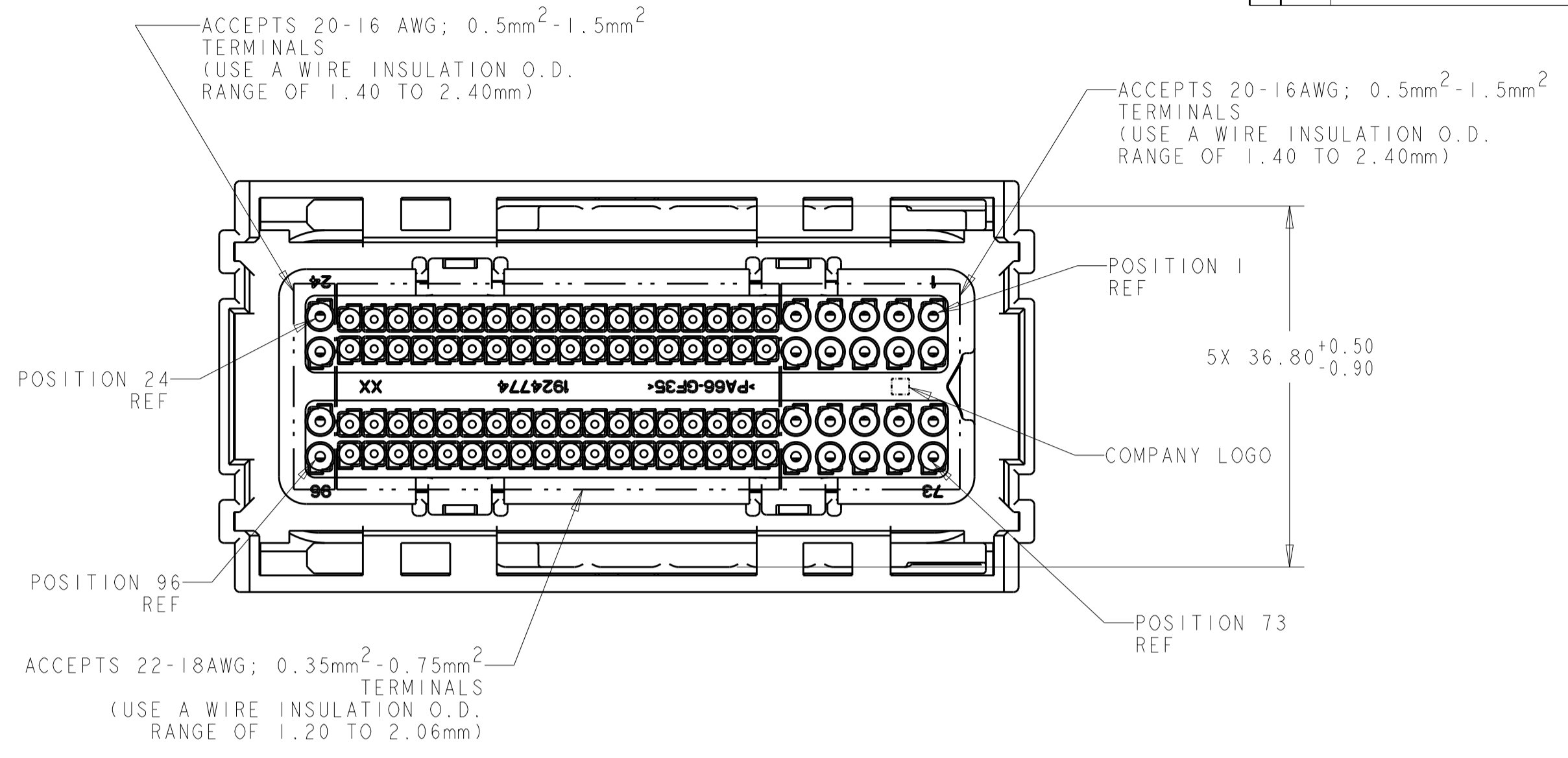
LEVER IN LOCKED POSITION

WIRE COVER ASSEMBLY PART NUMBER 1924779-1 MUST BE PURCHASED SEPARATELY



ISOMETRIC VIEW SCALE 1:1

LEFT EXIT PLUG ASSEMBLY SHOWN WITH OPTIONAL WIRE COVER ASSEMBLY (MUST BE PURCHASED SEPARATELY) SCALE 1:1

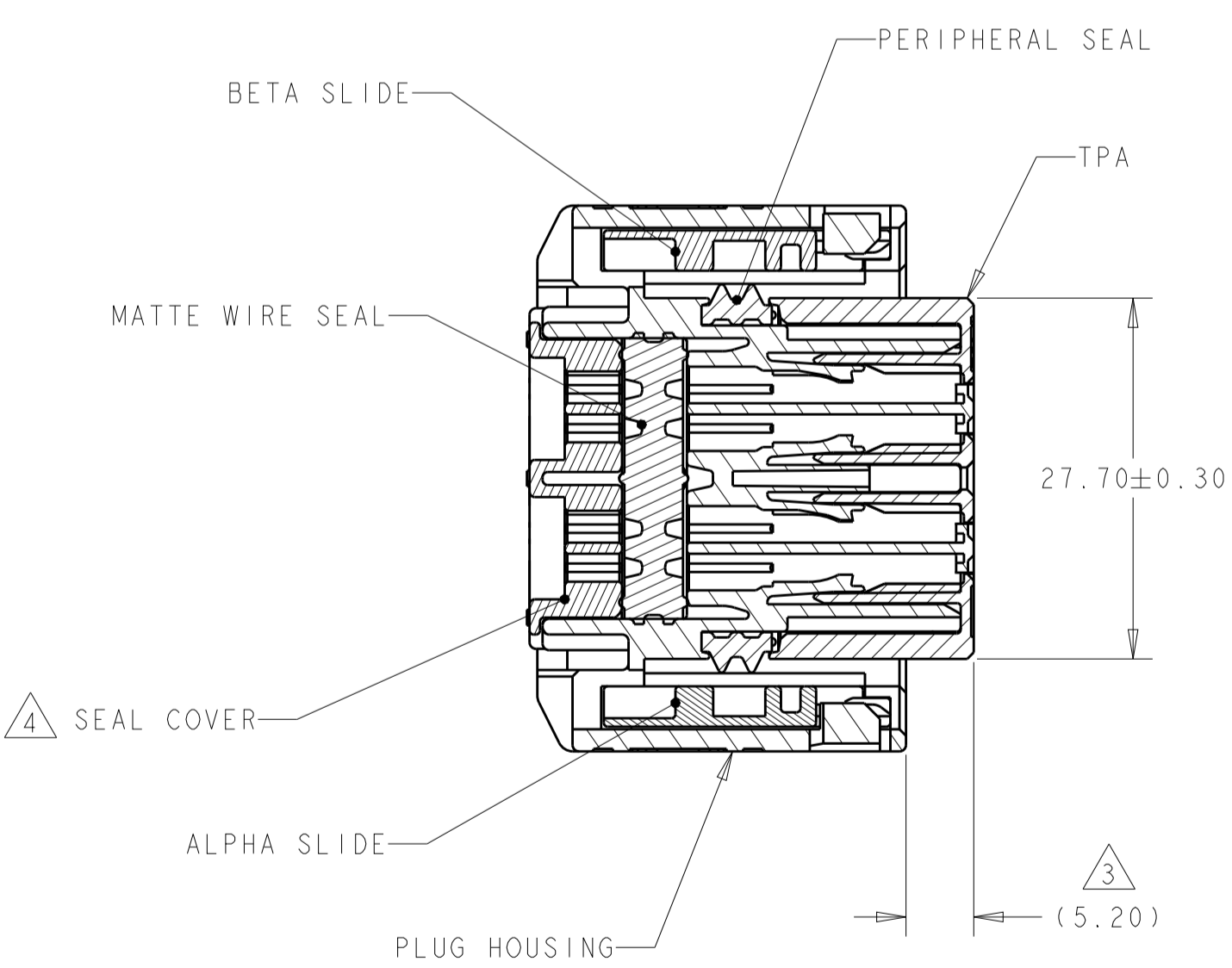
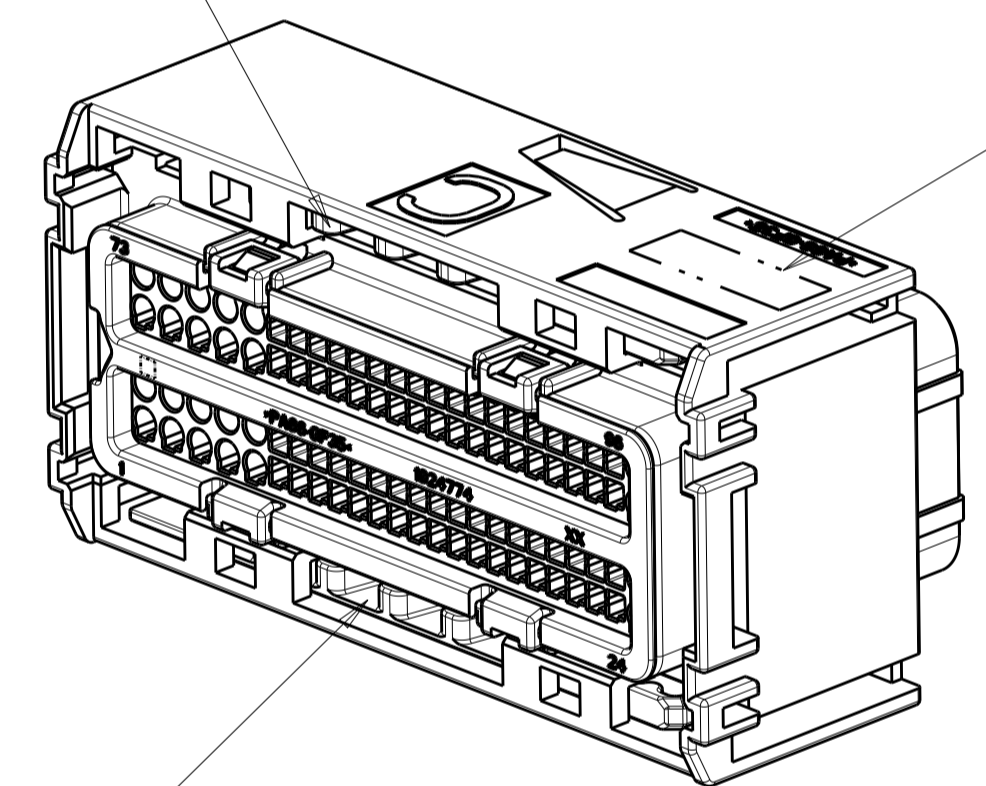


BETA SLIDE (GREEN) C SIDE OF PLUG HOUSING

ASSEMBLY PART NUMBER AND DATE CODE MARKING

ALPHA SLIDE (BLUE) D SIDE OF PLUG HOUSING

(METHOD FOR IDENTIFYING EXIT ORIENTATION)



- 1. PLUG HOUSING AND SEAL COVER: NYLON 6/6, BLACK. TPA: NYLON 6/6, COLOR - SEE TABLE. MATTE WIRE SEAL: SILICONE, LIGHT BLUE. PERIPHERAL SEAL: SILICONE, GREEN. ALPHA SLIDE: NYLON 6/6, BLUE. BETA SLIDE: NYLON 6/6, GREEN.
- 2. TPA SHOWN IN PRE-LATCHED, AS SHIPPED, POSITION.
- 3. TPA SHOWN IN CLOSED POSITION.
- 4. SEE TABLE ON SHEET 2 FOR SEAL COVER PIN OUT CONFIGURATION.
- 5. PLUG ASSEMBLY MATES WITH TYCO ELECTRONICS INTERFACE DRAWING 1924771.INT, POLARIZATION A.
- 6. PLUG ASSEMBLY WILL ACCEPT THE FOLLOWING GET TERMINAL PART NUMBERS: 1393364-1 (GOLD 22AWG; 0.35mm²), 1393365-1 (GOLD 18-20AWG; 0.75mm²-0.5mm²), 1924878-1 (TIN/SILVER 22AWG; 0.35mm²), 1924879-1 (TIN/SILVER 18-20AWG; 0.75mm²-0.5mm²), 1924782-1 (TIN/SILVER 1.0mm²), 1924880-1 (TIN/SILVER 16AWG; 1.5mm²).
- 7. WIRE DRESS ASSEMBLY MUST BE INSTALLED ONTO PLUG ASSEMBLY WITH LEVER IN LOCKED POSITION.
- 8. APPLICATION SPEC'S: 408-10229, 408-10230.
- 9. FORCE TO SEAT TPA COMPONENT FROM PRE-SET TO LOCKED (FULLY LOADED W/ TERMINALS) TO BE 83N MAX.
- 10. FORCE TO MOVE TPA FROM FULLY LOCKED TO PRE-SET TO BE 115N MAX. FLAT BLADE SCREWDRIVER SUGGESTED FOR REMOVAL OF TPA.

ALL CLOSED	GREEN	G	9-2098864-9
SEE TABLE, SH 2	GREEN	G	2098864-3
SEE TABLE, SH 2	GREEN	G	2098864-2
ALL OPEN	GREEN	G	2098864-1
BLOCKED CIRCUITS	TPA COLOR	INDEX REF	PART NUMBER

THIS DRAWING IS A CONTROLLED DOCUMENT.

DL DRUMMOND 02NOV2010
AJ VASINDER 02NOV2010
AJ VASINDER 02NOV2010

TE Connectivity

PLUG ASSEMBLY, 96 POSITION, INDEX G - LEFT EXIT, SEALED, GPEC III

SIZE: A1 CAGE CODE: 100779 DRAWING NO: 2098864 RESTRICTED TO: 1 OF 2 REV: B

CUSTOMER DRAWING SCALE: 2:1 SHEET: 1 OF 2 REV: B

