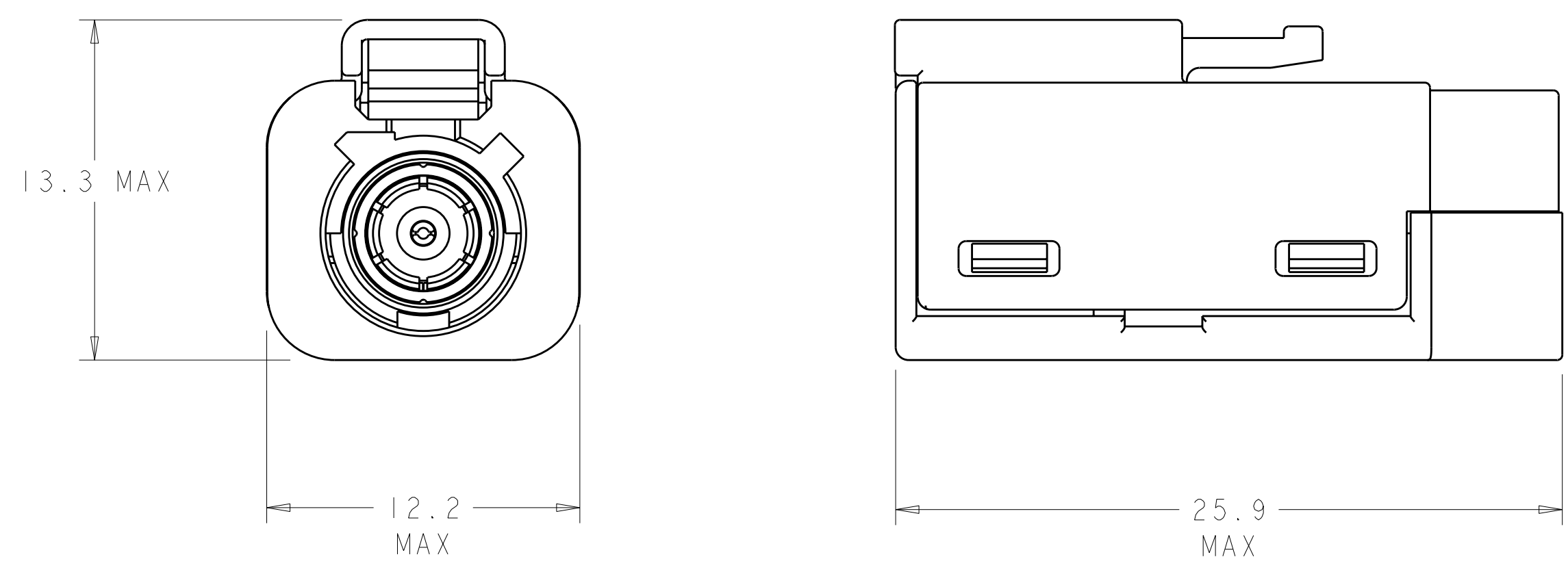
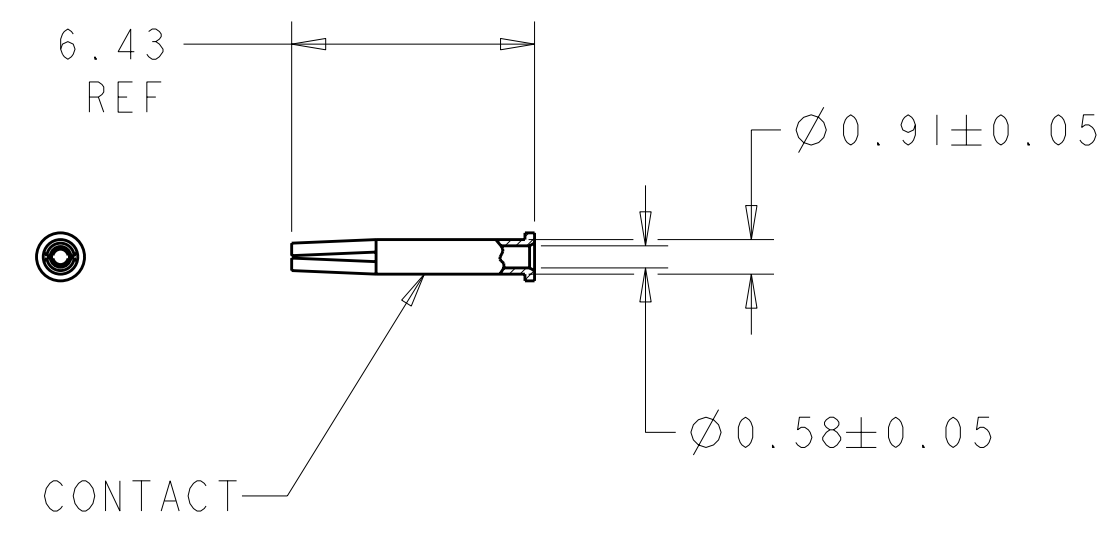
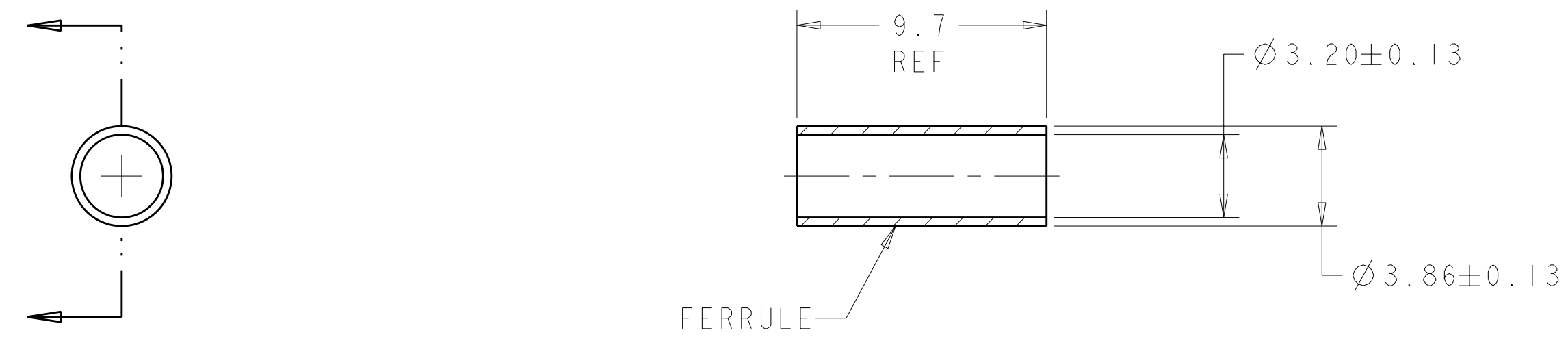
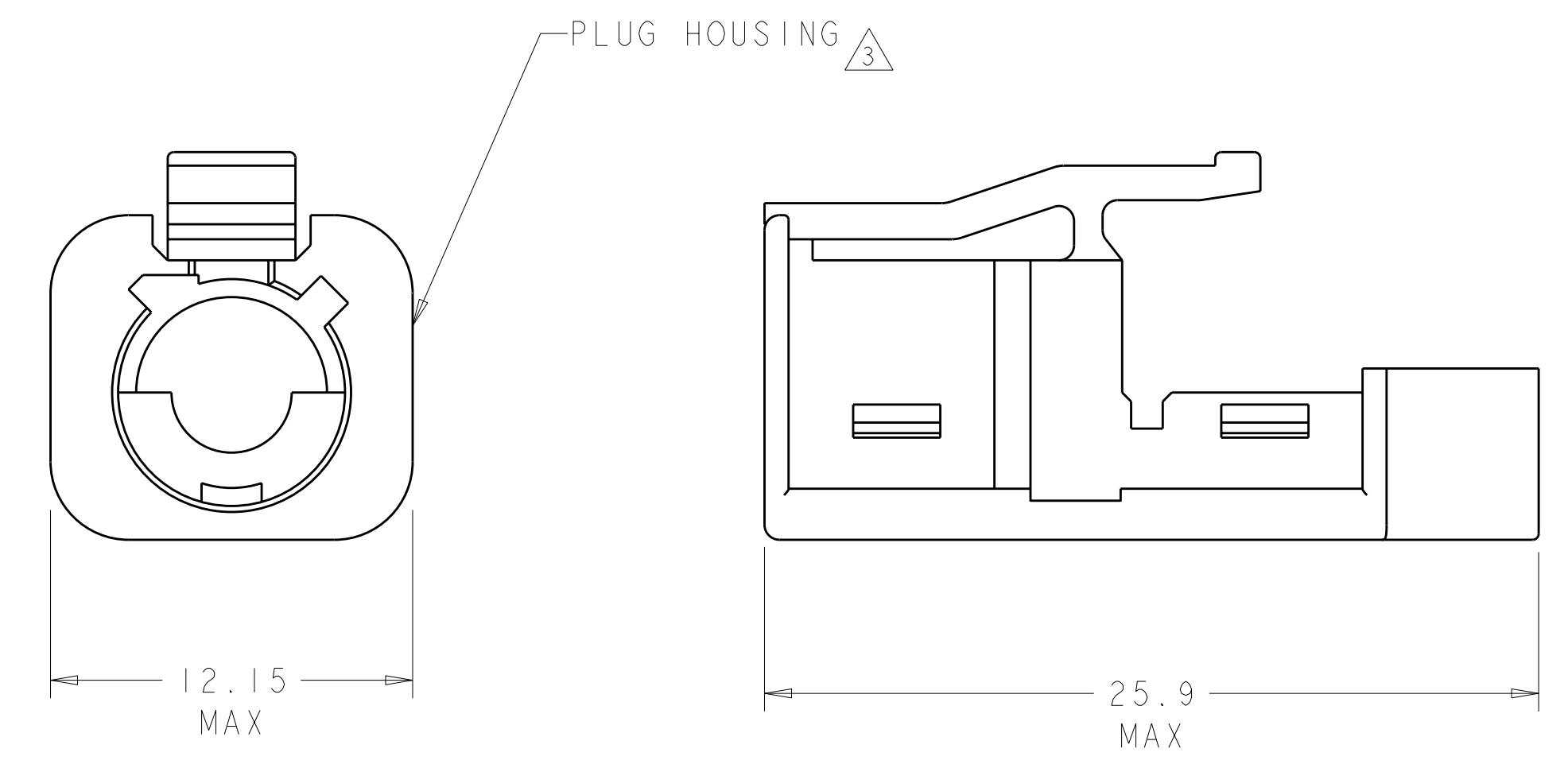
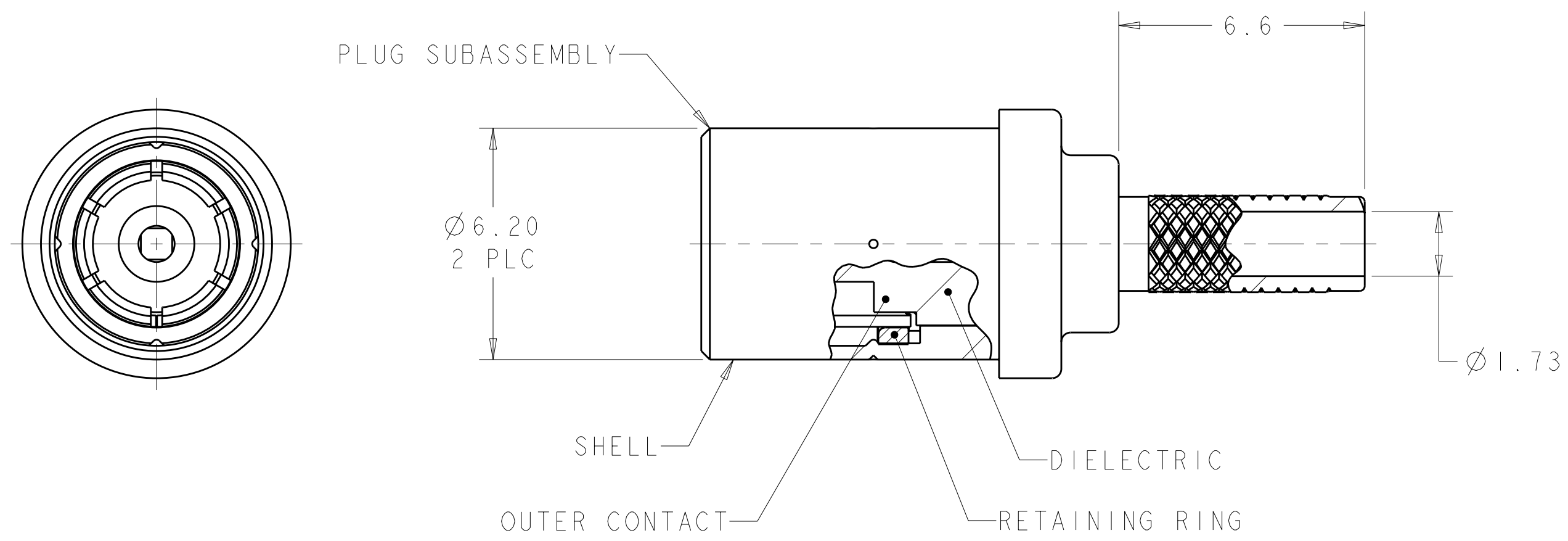
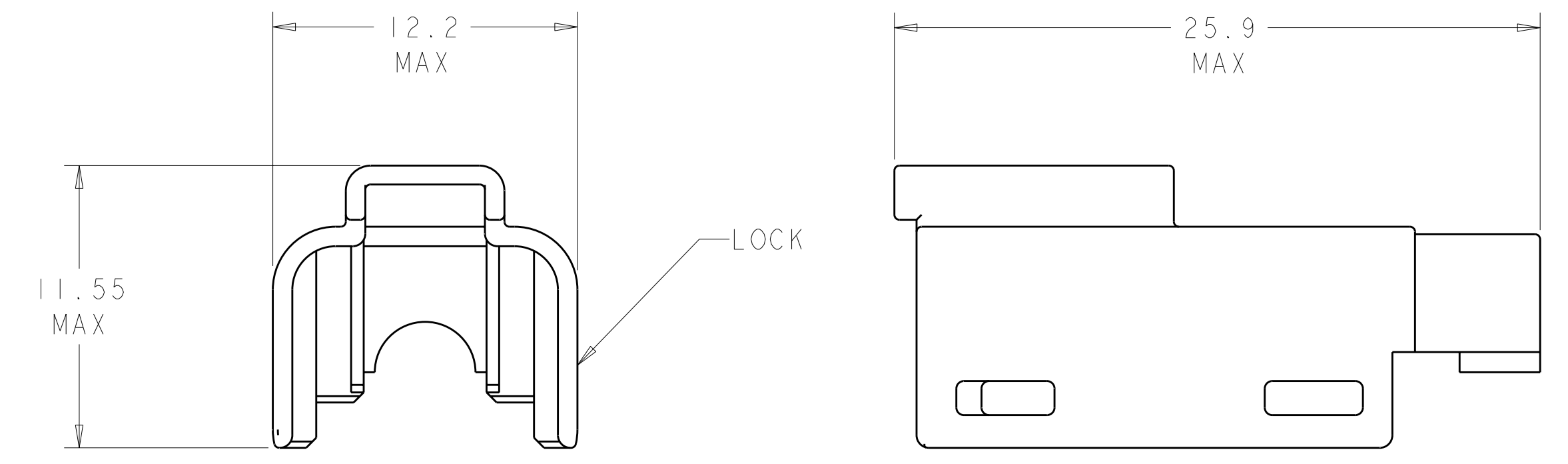


LOC	DIST	REV	DATE	BY	CHK	APPD
FX	00	H	30OCT2002	AH	SM	
		J	09MAR2011	DLD	LLV	



ASSEMBLED VIEWS

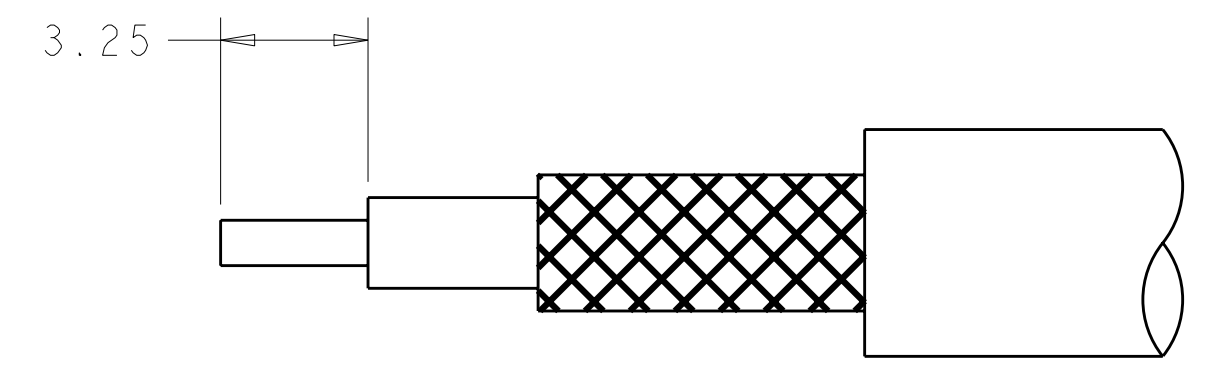


- △ HOUSING: POLYESTER PBT, COLOR: SEE TABLE, UL 94V-0 RATED.  
 LOCK: POLYESTER PBT, NATURAL, UL 94V-0 RATED.  
 PLUG SUBASSEMBLY:  
 SHELL: ZINC.  
 OUTER CONTACT: BERYLLIUM COPPER.  
 RETAINING RING: BRASS.  
 DIELECTRIC: PBT.  
 CONTACT: BERYLLIUM COPPER.  
 FERRULE: COPPER.

- △ FINISH  
 SHELL: 2.0µm MIN TIN-LEAD OVER 1.52µm MIN NICKEL OVER COPPER FLASH.  
 OUTER CONTACT: 2.0µm MIN TIN-LEAD OVER 1.27µm MIN NICKEL.  
 CONTACT: 1.27µm MIN THICK GOLD OVER 1.27µm MIN THICK NICKEL.  
 RETAINING RING: 2.0µm MIN TIN-LEAD OVER 1.27µm MIN NICKEL.  
 FERRULE: TIN-LEAD 2.54µm MIN.

- △ PLUG INTERFACE PER ISO TC 22/WG 5 N44, ROAD VEHICLES- RADIO FREQUENCY INTERFACE- DIMENSION AND ELECTRICAL REQUIREMENTS.

- CRIMP CONTACT USING MIL HAND TOOL M22520/2-01 WITH DANIELS POSITIONER K699, SET AT POSITION 4 PER TYCO SPECIFICATION 408-8428.
- CRIMP CABLE BRAID USING MIL HAND TOOL M22520/5-01 WITH DANIELS DIE SET Y1637 (.128 INCH HEX) OR AMP PRO-CRIMPER II WITH DIE SET 58483-1 PER TYCO SPECIFICATION 408-8428.
- PLUG SUBASSEMBLY WILL ACCEPT RG-174 OR RG-316 COAXIAL CABLE.



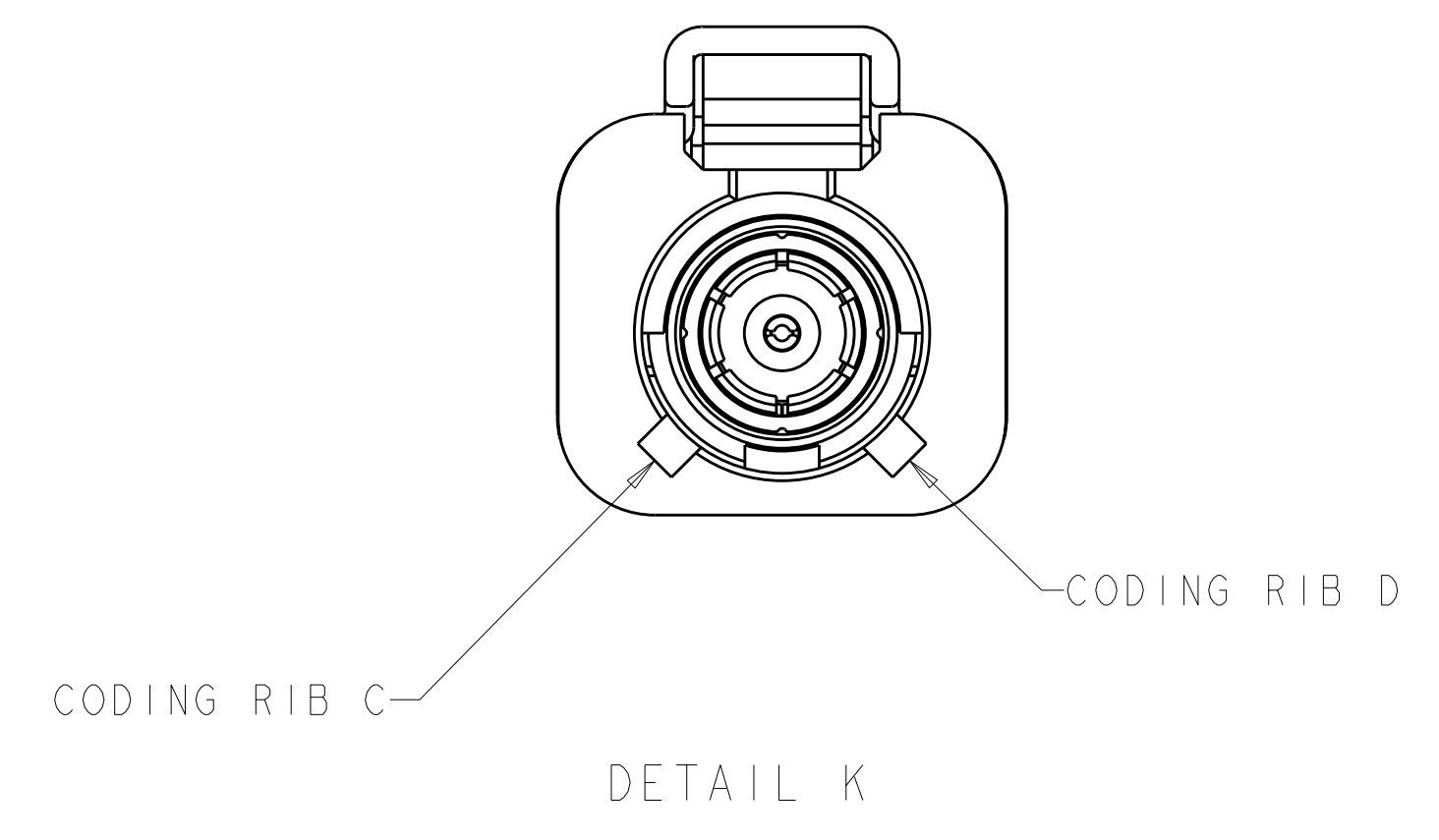
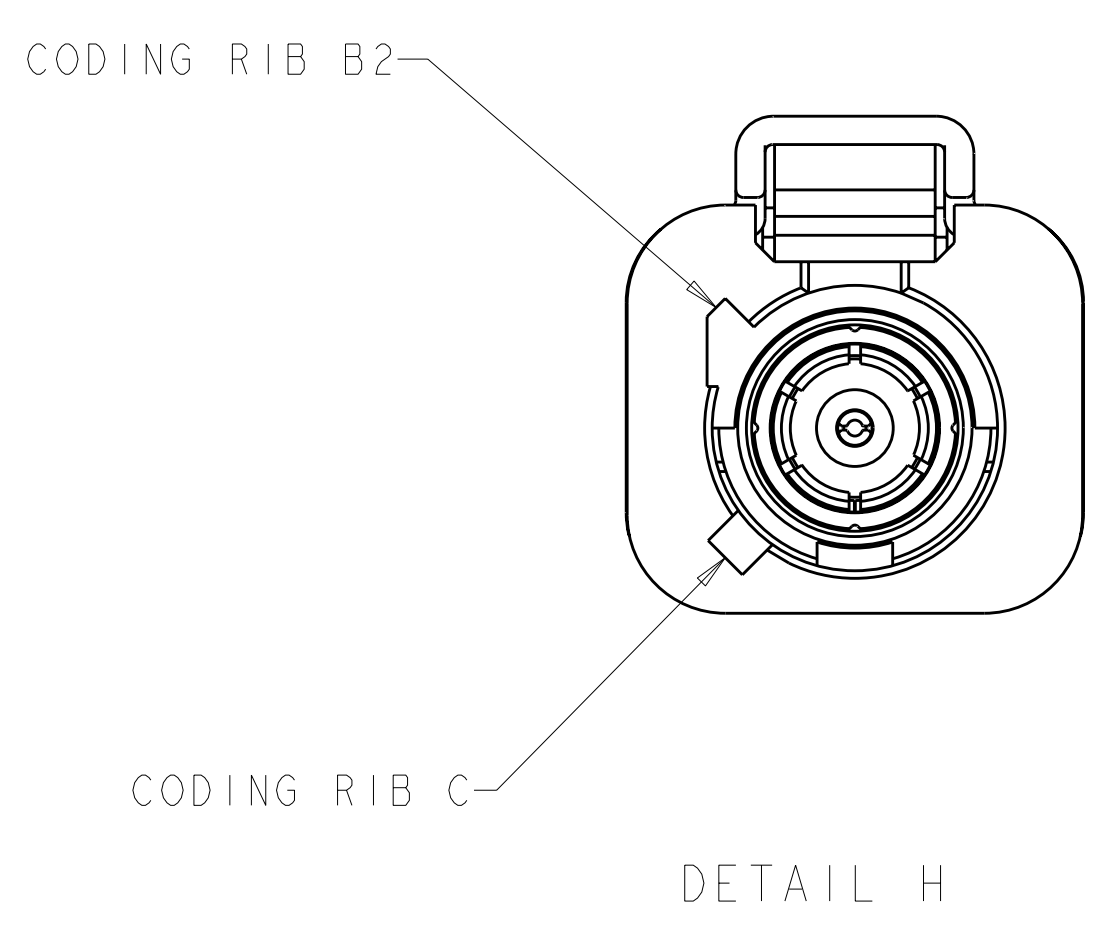
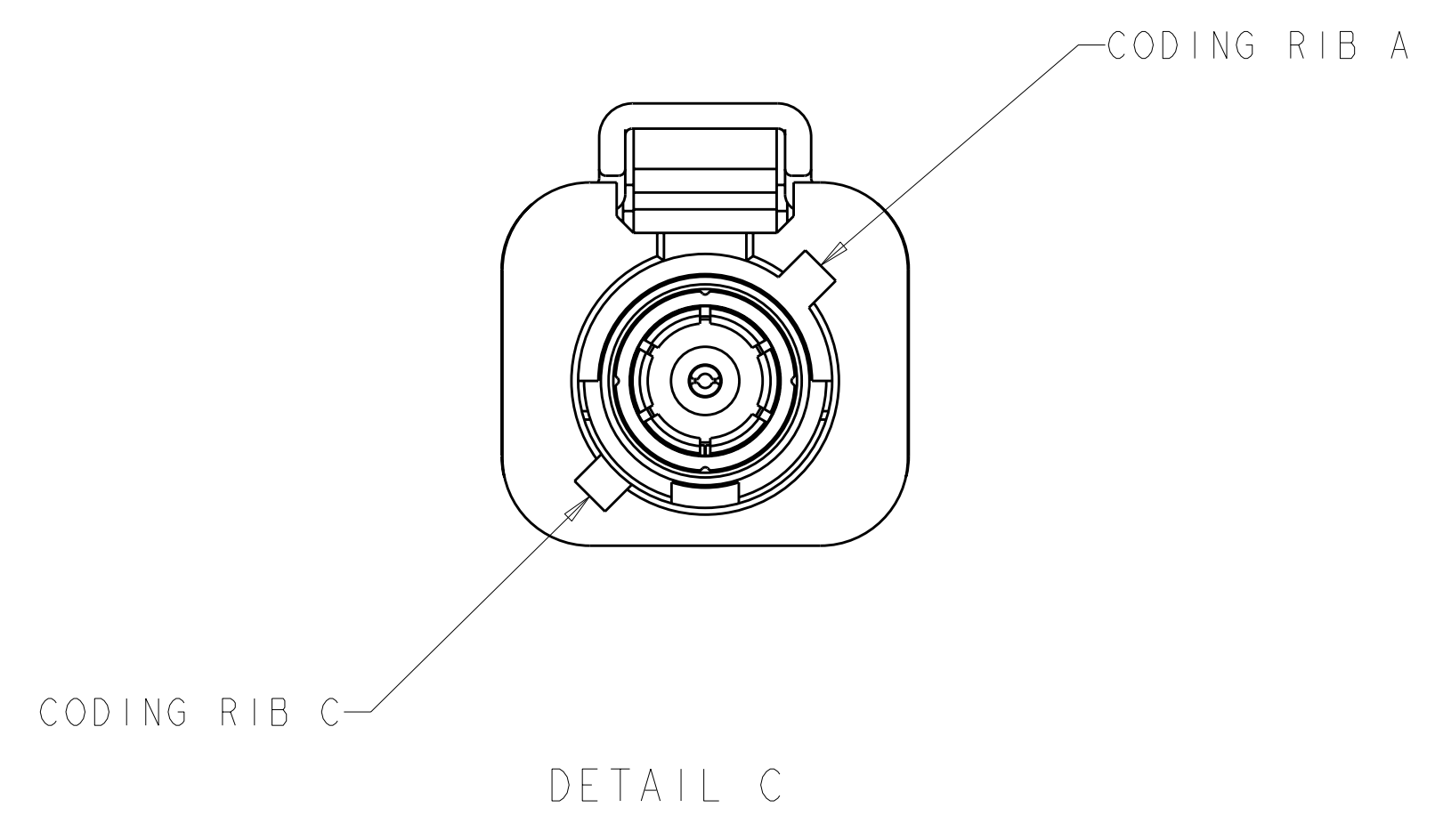
RECOMMENDED STRIP LENGTH DIMENSIONS  
 SCALE: NTS

PER DETAIL K	K	CURRY	1-638832-0
PER DETAIL H	H	VIOLET	638832-8
PER DETAIL C	C	BLUE	638832-3
KEYING	KEY CODING	HOUSING COLOR	PART NUMBER

DIMENSIONS: mm TOLERANCES UNLESS OTHERWISE SPECIFIED: 9 PLC ±.5 1 PLC ±0.5 3 PLC ±0.25 4 PLC ±.1 ANGLES ±.1		DWN: D. HARDY 13JUL2000 CHK: J.W. HALL 14JUL2000 APPD: J.W. HALL 14JUL2000	Tyco Electronics Harrisburg, PA 17105-3608
MATERIAL:		PRODUCT SPEC: 108-1991 APPLICATION SPEC: 408-8428	NAME: PLUG KIT, UNASSEMBLED, FAKRA, 50 Ohm, RG-174, SMB SIZE: A11 CAGE CODE: 00779 DRAWING NO: C-638832
FINISH:		WEIGHT: - CUSTOMER DRAWING	RESTRICTED TO: - SCALE: 5:1 SHEET: 1 OF 2 REV: J

THIS DRAWING IS UNPUBLISHED. RELEASED FOR PUBLICATION 20  
 © COPYRIGHT 20 BY TYCO ELECTRONICS CORPORATION. ALL RIGHTS RESERVED.

LOC	DIST	REVISIONS					
		P	LTR	DESCRIPTION	DATE	DWN	APVD
FX	00	-	-	SEE SHEET 1	-	-	-



<small>THIS DRAWING IS UNPUBLISHED. RELEASED FOR PUBLICATION 20                  © COPYRIGHT 20 BY TYCO ELECTRONICS CORPORATION. ALL RIGHTS RESERVED.</small>		DWN D. HARDY 13JUL2000 CHK J. W. HALL 14JUL2000 APVD J. W. HALL 14JUL2000	Tyco Electronics Harrisburg, PA 17105-3608
DIMENSIONS: mm 		TOLERANCES UNLESS OTHERWISE SPECIFIED: 0 PLC ± 1 PLC ±0.5 2 PLC ±0.25 3 PLC ± 4 PLC ± ANGLES ± FINISH ±	NAME PLUG KIT, UNASSEMBLED, FAKRA, 50 Ohm, RG-174, SMB SIZE CAGE CODE DRAWING NO RESTRICTED TO A 00779 C-638832 -
MATERIAL -		WEIGHT - CUSTOMER DRAWING	SCALE 1:1 SHEET 2 OF 2 REV J