

Printed-circuit board connector - DMC 0,5/ 5-G1-2,54 P20THR R44 - 1844756

Please be informed that the data shown in this PDF Document is generated from our Online Catalog. Please find the complete data in the user's documentation. Our General Terms of Use for Downloads are valid (<http://phoenixcontact.com/download>)

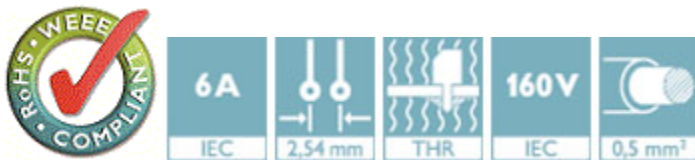
Header, Nominal current: 6 A, Rated voltage (III/2): 160 V, Number of positions: 5, Pitch: 2.54 mm, Color: black, Contact surface: Gold, Mounting: THR soldering, Sample values available under SAMPLE DMC...



The figure shows a 10-pos. version with 20 contacts

Why buy this product

- Gold-plated contacts ensure transfer quality remains stable over the long term
- Designed for integration into the SMT process
- Conductor connection on several levels enables higher contact density



Key Commercial Data

| | |
|--------------------------------------|----------|
| Packing unit | 1 STK |
| Minimum order quantity | 300 STK |
| Weight per Piece (excluding packing) | 2.870 g |
| Custom tariff number | 85366990 |
| Country of origin | Germany |

Technical data

Environmental Product Compliance

| | |
|------------|--|
| China RoHS | No hazardous substances above threshold values |
|------------|--|

Dimensions

| | |
|-------------|----------|
| Length | 9.64 mm |
| Pitch | 2.54 mm |
| Dimension a | 10.16 mm |

Printed-circuit board connector - DMC 0,5/ 5-G1-2,54 P20THR R44 - 1844756

Technical data

Dimensions

| | |
|--------------------------|----------------|
| Width | 13.2 mm |
| Height | 7.39 mm |
| Length of the solder pin | 2 mm |
| Pin dimensions | 0,64 x 0,64 mm |
| Pin spacing | 2.54 mm |
| Hole diameter | 1.2 mm |

General

| | |
|--|-------------------|
| Range of articles | DMC 0,5/...G1-THR |
| Insulating material group | IIIa |
| Rated surge voltage (III/3) | 2.5 kV |
| Rated surge voltage (III/2) | 2.5 kV |
| Rated surge voltage (II/2) | 2.5 kV |
| Rated voltage (III/3) | 32 V |
| Rated voltage (III/2) | 160 V |
| Rated voltage (II/2) | 160 V |
| Connection in acc. with standard | EN-VDE |
| Nominal current I _N | 6 A |
| Insulating material | LCP |
| Flammability rating according to UL 94 | V0 |
| Color | black |
| Number of positions | 5 |

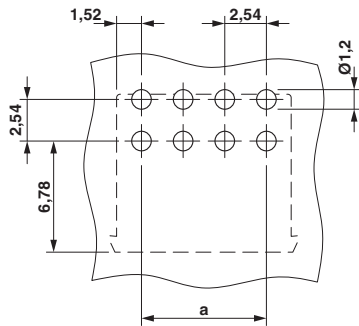
Standards and Regulations

| | |
|--|--------|
| Connection in acc. with standard | EN-VDE |
| Flammability rating according to UL 94 | V0 |

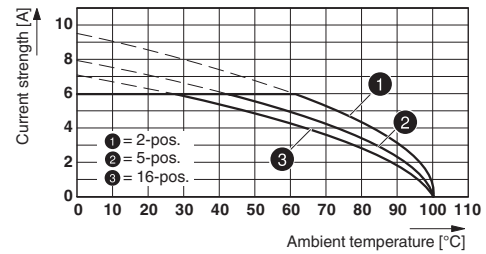
Drawings

Printed-circuit board connector - DMC 0,5/ 5-G1-2,54 P20THR R44 - 1844756

Drilling diagram

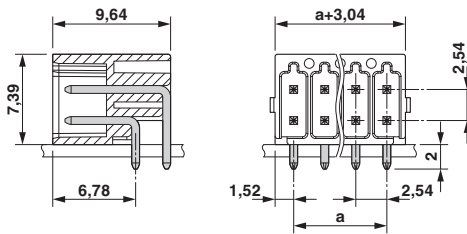


Diagram



Type: DFMC 0,5/...-ST-2,54 with DMC 0,5/...-G1-2,54 P20THR R...

Dimensional drawing



Classifications

eCl@ss

| | |
|------------|----------|
| eCl@ss 5.1 | 27260701 |
| eCl@ss 6.0 | 27260704 |
| eCl@ss 8.0 | 27440402 |
| eCl@ss 9.0 | 27440402 |

ETIM

| | |
|----------|----------|
| ETIM 4.0 | EC002637 |
| ETIM 5.0 | EC002637 |

Approvals

Approvals

Approvals

cULus Recognized / VDE Gutachten mit Fertigungsüberwachung / IEC60320 CB Scheme / EAC


Printed-circuit board connector - DMC 0,5/ 5-G1-2,54 P20THR R44 - 1844756


Approvals

Ex Approvals

Approval details

| | | |
|--|-------|------|
| cULus Recognized http://database.ul.com/cgi-bin/XYV/template/LISEXT/1FRAME/index.htm E60425-19920306 | | |
| | B | C |
| Nominal current IN | 6 A | 6 A |
| Nominal voltage UN | 150 V | 50 V |

| | |
|--|-------|
| VDE Gutachten mit Fertigungsüberwachung  http://www.vde.de 40042389 | |
| Nominal current IN | 6 A |
| Nominal voltage UN | 160 V |

| | |
|---|-------|
| IECEE CB Scheme  http://www.iecee.org/ DE1-55740 | |
| Nominal current IN | 6 A |
| Nominal voltage UN | 160 V |

| |
|-------------|
| EAC B.01742 |
|-------------|

Accessories

Accessories

Labeled terminal marker

Marker card - SK 2,54/2,8:FORTL.ZAHLEN - 0804853



Marker card, Card, white, labeled, Horizontal: Consecutive numbers 1 - 10, 11 - 20, etc. up to 91 - 99, Mounting type: Adhesive, for terminal block width: 2.54 mm, Lettering field: 2.54 x 2.8 mm

Printed-circuit board connector - DMC 0,5/ 5-G1-2,54 P20THR R44 - 1844756

Accessories

Sample set - SAMPLE DMC 0,5/ 5-G1-2,54 THR - 1859521



Header, Nominal current: 6 A, Rated voltage (III/2): 160 V, Number of positions: 5, Pitch: 2.54 mm, Color: black, Contact surface: Gold, Mounting: THR soldering

Additional products

Printed-circuit board connector - DFMC 0,5/ 5-ST-2,54 - 1844604



Plug, nominal current: 6 A, rated voltage (III/2): 160 V, number of positions: 5 with 10 contacts, pitch: 2.54 mm, connection method: spring connection, color: black, contact surface: gold