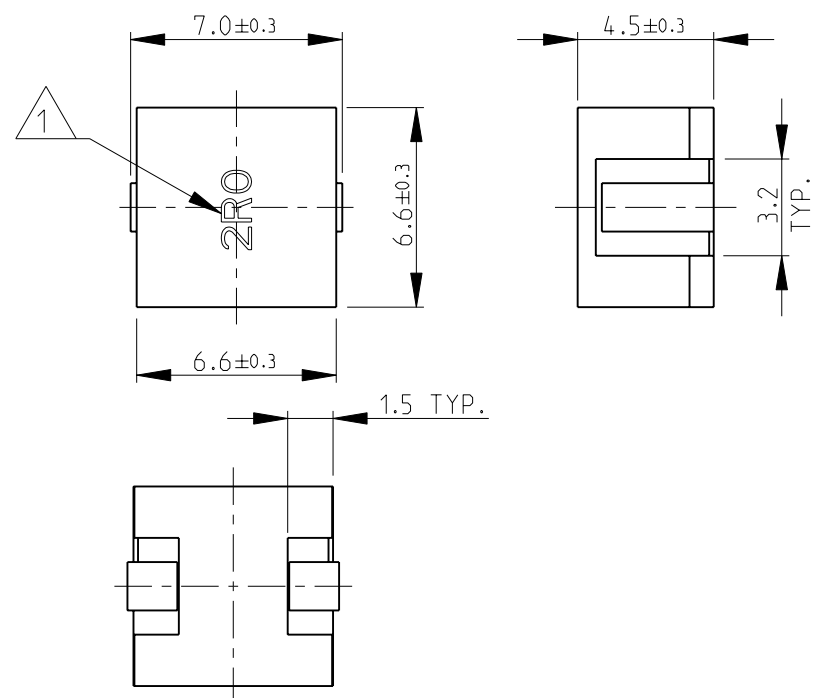


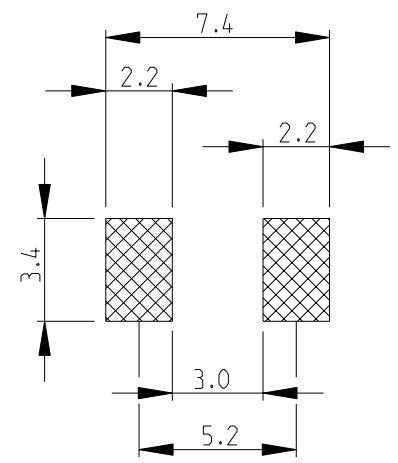
THIS DRAWING IS UNPUBLISHED. RELEASED FOR PUBLICATION 2008
 © COPYRIGHT 2008 BY TYCO ELECTRONICS CORPORATION. ALL RIGHTS RESERVED.

LOC		DIST		REVISIONS			
P	LTR	DESCRIPTION		DATE	DWN	APVD	
	A	NEW RELEASE		14-NOV-08	SM	St.P	

SERIES 3635A AS SHOWN



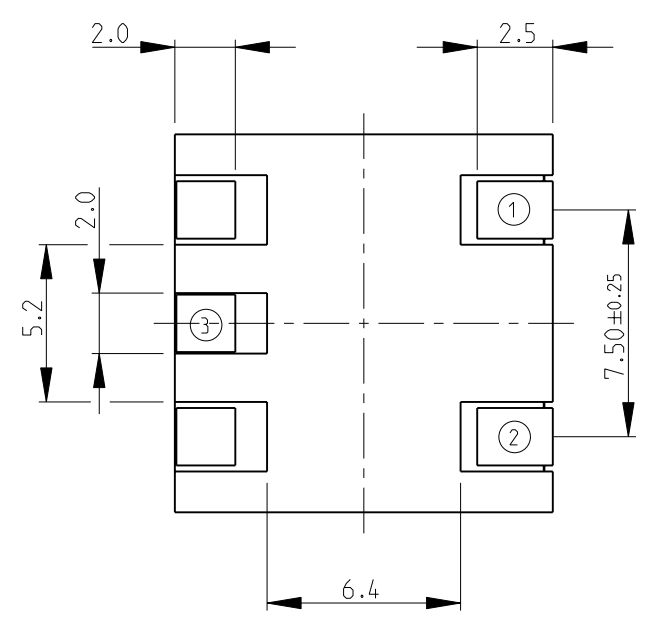
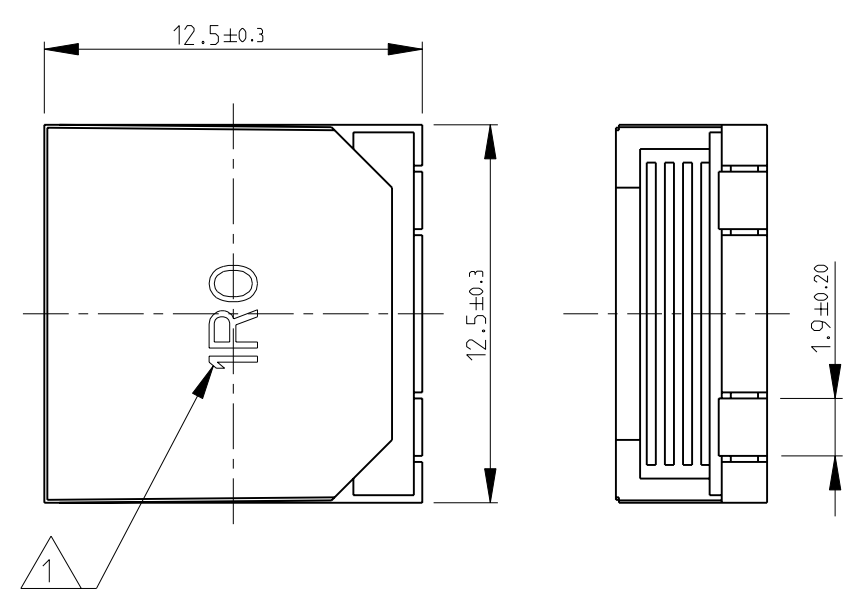
RECOMMENDED LAND PATTERN FOR 3635A SERIES



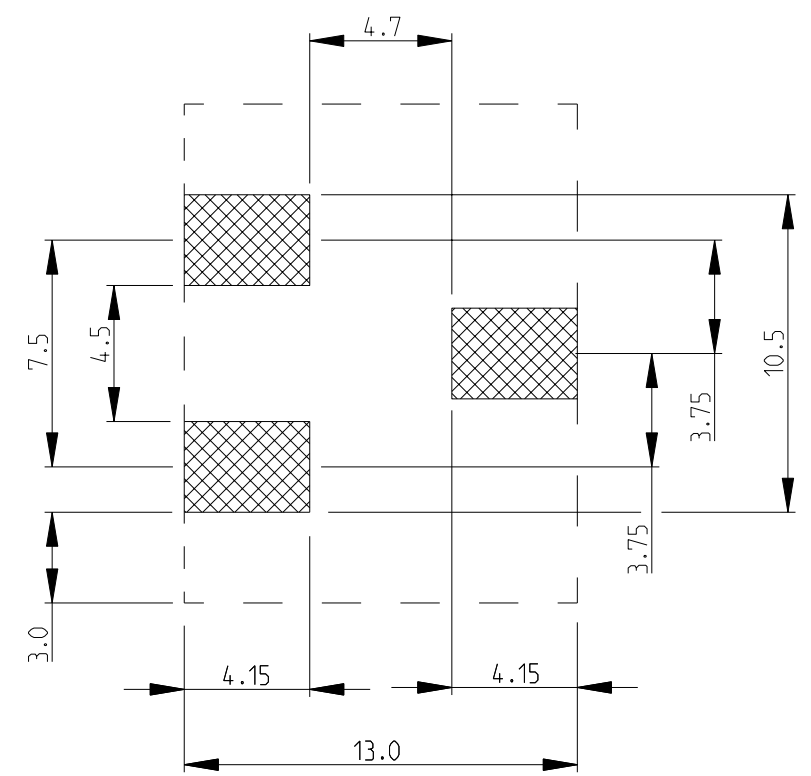
- 1 INDUCTANCE CODE
- 2 AVAILABLE IN 2 DIFFERENT PACKAGES
- 3 FOR FURTHER INFORMATION SEE DATA SHEET FOR 3635 SERIES-SHIELDED SMD POWER INDUCTORS

RoHS Compliant

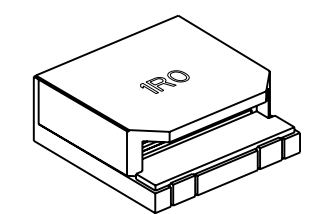
SERIES 3635B AS SHOWN



RECOMMENDED LAND PATTERN FOR 3635B SERIES

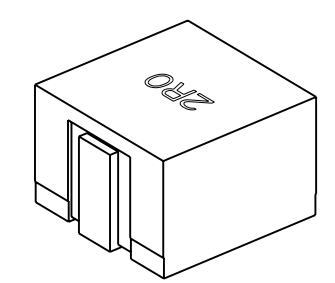


3635B SERIES

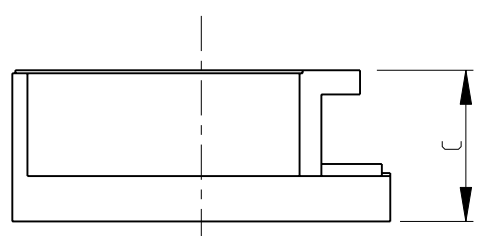


SCALE 2:1

3635A SERIES



SCALE 4:1



1R8-7R2	5.60 MAX.
R30-1R0	5.00 MAX.
INDUCTANCE CODE	C

THIS DRAWING IS A CONTROLLED DOCUMENT FOR TYCO ELECTRONICS CORPORATION IT IS SUBJECT TO CHANGE AND THE CONTROLLING ENGINEERING ORGANIZATION SHOULD BE CONTACTED FOR THE LATEST REVISION.

DIMENSIONS:		TOLERANCES UNLESS OTHERWISE SPECIFIED:	
mm			
0 PLC	±0.2	1 PLC	±0.1
1 PLC	±0.1	2 PLC	±
2 PLC	±	3 PLC	±
3 PLC	±	4 PLC	±
4 PLC	±	ANGLES	±5°
MATERIAL	-	FINISH	-

DWN	SUBHASH.M	14-NOV-08
CHK	PRAKASH.S	14-NOV-08
APVD	STEPHEN.P	14-NOV-08
PRODUCT SPEC	-	
APPLICATION SPEC	-	
WEIGHT	-	
CUSTOMER DRAWING		

Tyco Electronics Corporation Dorcan, Swindon, SN3 5HH		NAME SHIELDED SMD POWER INDUCTORS SERIES 3635	
SIZE	CAGE CODE	DRAWING NO	RESTRICTED TO
A3	00779	©=1676949	-
SCALE 4:1		SHEET 1 OF 1	REV A