

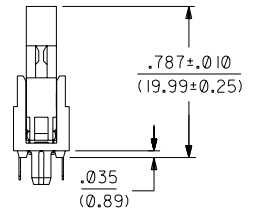
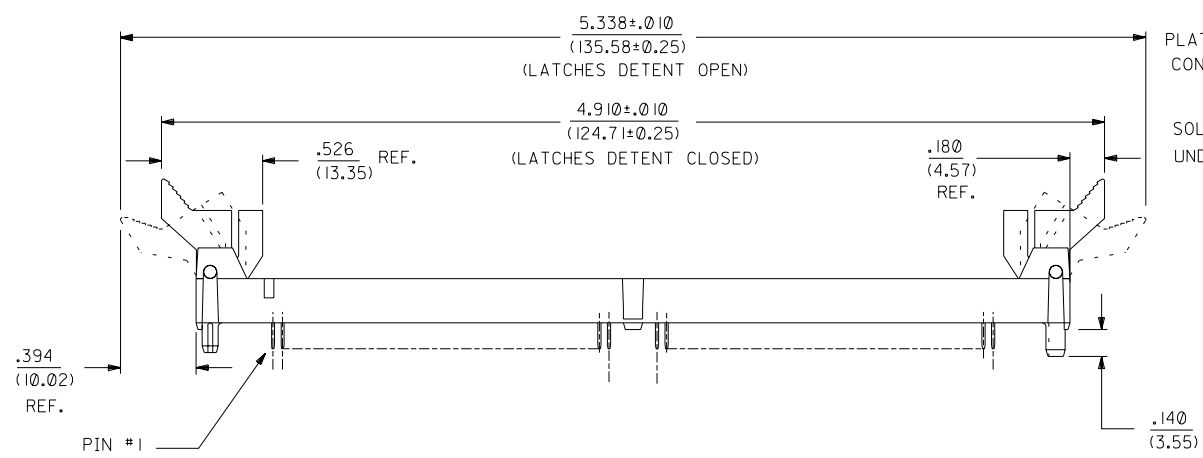
- NOTES:
- CARD SLOT ACCEPTS  $.050 \pm .004$  ( $1.27 \pm 0.10$ ) MODULE THICKNESS. (MEASURED OVER P.C. PADS).
  - ALL PEGS ARE INTERFERENCE FITS TO PCB UNLESS NOTED ON THE DWG.
  - REFER TO PRODUCT SPEC PS-71243-9999 FOR PERFORMANCE SPECIFICATIONS.
  - PRODUCT IS PACKAGED IN TRAYS.
  - RECOMMENDED MODULE LAYOUT SHALL BE PER JEDEC MO-167.
  - RECOMMENDED PLATING ON MODULE PADS: 30 MICROINCH/(0.76 MICROMETER) MINIMUM HARD GOLD (Au) OVER 79 MICROINCH/(2.0 MICROMETER) MINIMUM NICKEL (Ni).
  - PRODUCT WILL HAVE DATE CODE STAMPED ON SIDE OF HOUSING.

MATERIALS:

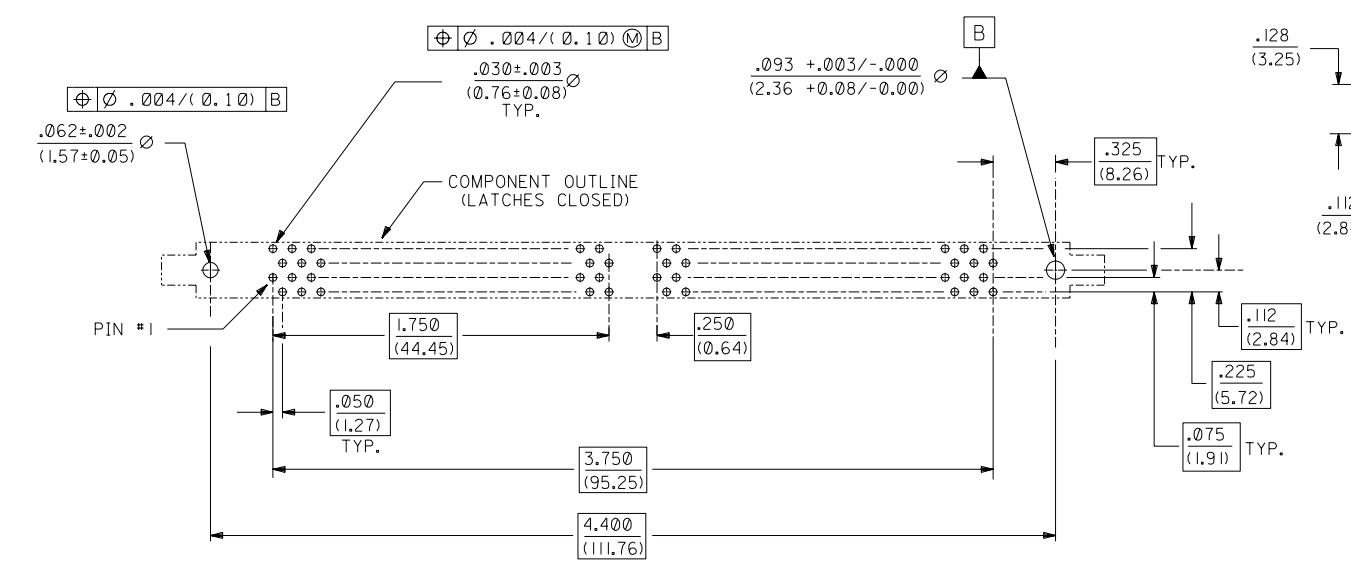
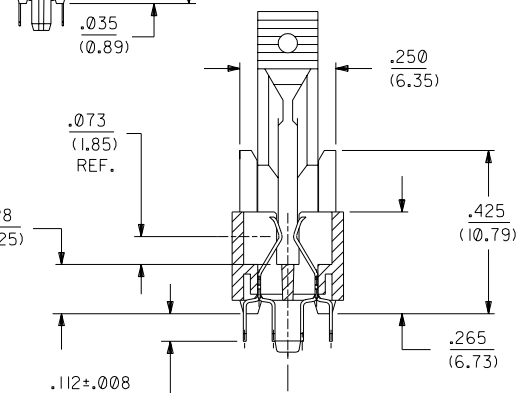
- HOUSING - GLASS FILLED LIQUID CRYSTAL POLYMER (LCP), UL 94V-0, COLOR: BLACK.
- TERMINAL - PHOSPHOR BRONZE
- LATCHES - GLASS FILLED HIGH TEMPERATURE NYLON, UL 94V-0. LATCH AT PIN #1 END IS IVORY COLOR. LATCH AT OPPOSITE END IS BLACK COLOR.

PLATING:

- CONTACT AREA: GOLD (Au) FLASH; THICKNESS=2-10 MICROINCH/(0.05-0.25 MICROMETER), OVER PALLADIUM-NICKEL (Pd-Ni); THICKNESS=30 MICROINCH/(0.76 MICROMETER) MINIMUM.
- SOLDER TAILS: TIN (Sn); THICKNESS=150 MICROINCH/(3.81 MICROMETER) MINIMUM.
- UNDERPLATE: NICKEL (Ni) OVER ENTIRE CONTACT.



NOTE FOR LEAD FREE CONVERSION:  
THE PRIMARY SHIPPING CARTON WILL BE LABELED "COMPLIANT TO ROHS DIRECTIVE 2002/95/EC AND ELV ANNEX II OF DIRECTIVE 2000/53/EC". CARTONS WITHOUT THIS LABEL MAY CONTAIN PRODUCT WITH LEAD.

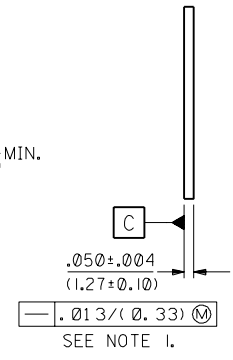
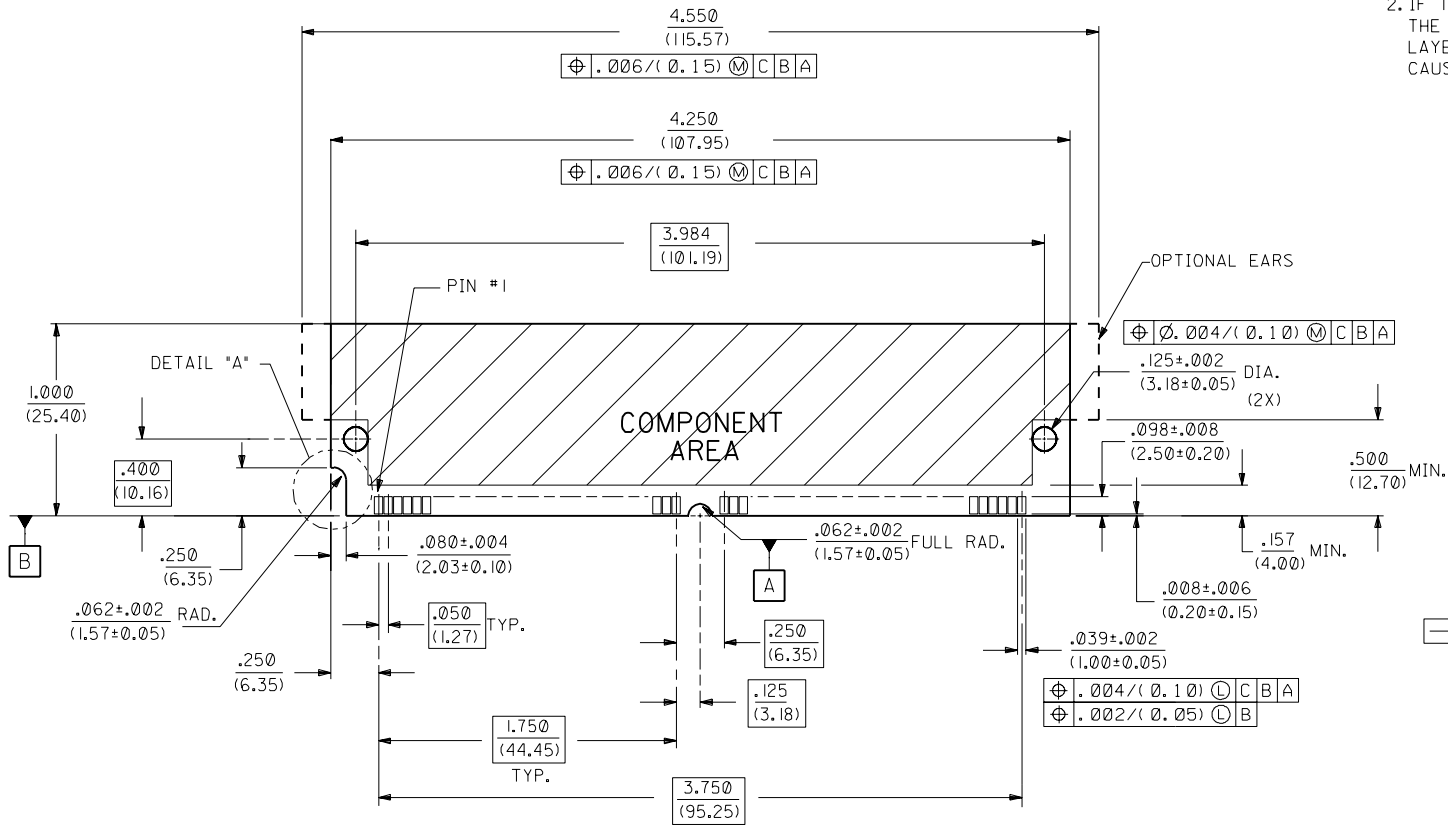


FI	ADD LEAD FREE NOTE ECR# UCP2004-1132 DMORGAN 04/03/08
F	CHG Sn-Pb THICKNESS ECR# UDT1999-0454 DMORGAN 99/08/09
E	REVISED PER ECR# U60883 96-10-1 LAURX
D	REVISED PER ECR# U60883 3-15-96 JCL
C	RELEASED PER ECR# U60836 1-19-96 JCL

DIMENSIONS SHOWN (METRIC) INCH		UNLESS OTHERWISE SPECIFIED TOLERANCES: ANGULAR ± 1/2°		REVISIONS	
3 PLAGE	± .005	---	---	2	E
2 PLAGE	± .01	± 0.13	---	1	FI
1 PLAGE	---	± 0.25	---	MFG, SH, REV, LTR, REVISIONS	
DRAFT WHERE APPLICABLE MUST REMAIN WITHIN DIMENSIONS					
DRWG. BY	JCL	CHK'D. BY	DCB	PART NO. 71243-0009 DRWG. NO. SDA-71243-0009	
APPR'D. BY		SCALE	2:1	FILE NAME	S712439A DGN
				THIS DRAWING CONTAINS INFORMATION THAT IS PROPRIETARY TO MOLEX INC. AND SHOULD NOT BE USED WITHOUT WRITTEN PERMISSION.	

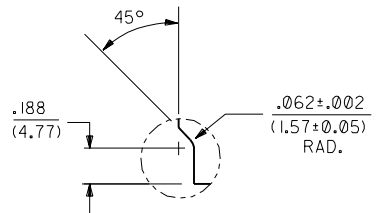
NOTES:

- 1. STRAIGHTNESS OF MODULE APPLIES TO THE AREA FROM THE BOTTOM OF THE CARD UP .157/(4.00).
- 2. IF TIE BARS ARE ATTACHED TO PADS, THE TIE BAR SHOULD BE ON AN INTERNAL LAYER, SO THAT THE REMNANT CANNOT CAUSE DAMAGE TO THE CONTACTS.



SEE NOTE 1.

RECOMMENDED MODULE LAYOUT



PREFERRED DETAIL "A"

E	SEE SHEET I
D	SEE SHEET I
C	SEE SHEET I

MFG. SH.	REV.	LTR.	REVISIONS
----------	------	------	-----------

DIMENSIONS SHOWN (METRIC) INCH		UNLESS OTHERWISE SPECIFIED TOLERANCES ANGULAR $\pm 1/2^\circ$		TITLE	
3 PLACE $\pm .005$	INCH	---	METRIC	.050/(1.27) PITCH DIMM 144 CKT SINGLE LOW KEY SALES DRAWING	
2 PLACE $\pm .01$	$\pm 0.13$	MOLLEX INCORPORATED			
1 PLACE ---	$\pm 0.25$	SHEET NO. 2 DATE 1/19/96			
DRAFT WHERE APPLICABLE MUST REMAIN WITHIN DIMENSIONS		PART NO. 71243-0009		DRWG. NO. SDA-71243-0009	
DRWG. BY JCL	CHK'D. BY DCB	FILE NAME S7124300B	DIV. MEX	SIZE CP	C
APPR'D. BY	SCALE 2:1	THIS DRAWING CONTAINS INFORMATION THAT IS PROPRIETARY TO MOLEX INC. AND SHOULD NOT BE USED WITHOUT WRITTEN PERMISSION.			