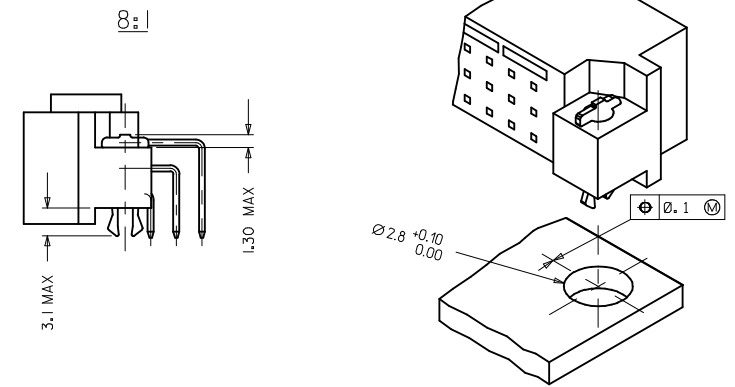


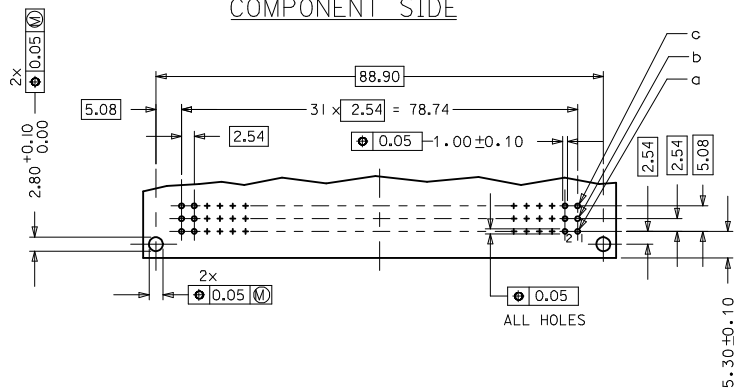
WITH MOUNTING CLIPS



NOTES:

- MATERIALS: THERMOPLASTIC POLYESTER, GLASS FILLED, UL94V-0  
COLOUR: PEBBLE GREY RAL 7032  
TERMINAL - BRASS  
MOUNTING CLIP: STEEL
- FINISH: CONTACT AREA
  - PERFORMANCE LEVEL 1: SELECTIVE GOLD (Au), THICKNESS = 1.1 MICROMETER OVER NICKEL, THICKNESS = 1.25 MICROMETER
  - PERFORMANCE LEVEL 2: SELECTIVE GOLD (Au), THICKNESS = 0.6 MICROMETER OVER NICKEL, THICKNESS = 1.25 MICROMETER
  - PERFORMANCE LEVEL 3: SELECTIVE GOLD (Au), THICKNESS = 0.3 MICROMETER OVER NICKEL, THICKNESS = 1.25 MICROMETER
 TERMINATION AREA : SELECTIVE TIN, THICKNESS = 2.5 MICROMETER OVER NICKEL, THICKNESS = 1.25 MICROMETER OVERALL
- MOUNTING CLIP:-  
TIN (Sn), THICKNESS = 5-10 MICROMETER,  
OVER NICKEL (Ni), THICKNESS = 2.5 MICROMETER
- FOR NON MOUNTING CLIP OPTION, CONNECTOR TO BE SECURED WITH RIVETS: 2 TUBULAR RIVETS 2.5 x 0.3 ... DIN 7340  
SCREWS: 2 CHEESEHEAD SCREWS M2.5 x ... DIN 84 AND 2 HEXAGONAL NUTS M2.5 DIN 934
- STANDARD MARKING : MOLEX, MATERIAL NUMBER, BATCH CODE
- CUT FACE OF TIP WITHOUT PLATING PERMITTED
- PRODUCT SPECIFICATION PS : 85003-0001

RECOMMENDED PCB LAYOUT  
COMPONENT SIDE



|                 |     |
|-----------------|-----|
| LMFB CONTACTS   | 4,2 |
| FMLB CONTACTS   | 5,4 |
| NORMAL CONTACTS | 4,8 |
|                 | M   |

RoHS COMPLIANT

|   |                               |  |   |  |   |   |                   |
|---|-------------------------------|--|---|--|---|---|-------------------|
| EC NO: 2007-0772<br>DRAWN: JAYENG<br>CHKD: SUDHIR<br>APPR: KRASAD<br>2008/06/19<br>2009/10/17 | QUALITY SYMBOLS<br>▽=0<br>▽=0 | GENERAL TOLERANCES (UNLESS SPECIFIED)<br>mm INCH<br>4 PLACES ± --- ± ---<br>3 PLACES ± 0.05 ± ---<br>2 PLACES ± 0.1 ± ---<br>1 PLACE ± 0.15 ± ---<br>ANGULAR ± 2 ° | DIMENSION STYLE<br>MM ONLY<br>DRAWN BY DATE<br>SS 2001/05/28<br>CHECKED BY DATE<br>GJLOWE 2001/05/28<br>APPROVED BY DATE<br>GJLOWE 2001/05/28 | SCALE<br>2:1<br>DESIGN UNITS<br>METRIC<br>THIRD ANGLE PROJECTION | TITLE<br>96 POS. MALE CONNECTOR<br>ACC. DIN 41612<br>STYLE C CONTACTS | MOLEX MOLEX INCORPORATED<br>DOCUMENT NO.<br>SD-85003-0001 | SHEET NO.<br>2 OF |
|   |                               |  |   |  |   |   |                   |

20 19 18 17 16 15 14 13 12 11 9 8 7 6 5 4 3 2 1

VIEW ON MATING SIDE

|   |    |    |    |    |    |    |    |    |    |    |    |    |    |    |    |    |    |    |    |    |    |    |    |   |   |   |   |   |   |   |   |   |
|---|----|----|----|----|----|----|----|----|----|----|----|----|----|----|----|----|----|----|----|----|----|----|----|---|---|---|---|---|---|---|---|---|
| ⊙ | X  | C  | C  | C  | C  | C  | C  | C  | C  | C  | C  | C  | C  | C  | C  | C  | C  | C  | C  | C  | C  | C  | C  | C | C | C | X |   |   |   |   |   |
| ⊙ | B  | B  | B  | B  | B  | B  | B  | B  | B  | B  | B  | B  | B  | B  | B  | B  | B  | B  | B  | B  | B  | B  | B  | B | B | B | B |   |   |   |   |   |
| ⊙ | Z  | A  | A  | A  | A  | A  | A  | A  | A  | A  | A  | A  | A  | A  | A  | A  | A  | A  | A  | A  | A  | A  | A  | A | A | A | Z |   |   |   |   |   |
|   | 32 | 31 | 30 | 29 | 28 | 27 | 26 | 25 | 24 | 23 | 22 | 21 | 20 | 19 | 18 | 17 | 16 | 15 | 14 | 13 | 12 | 11 | 10 | 9 | 8 | 7 | 6 | 5 | 4 | 3 | 2 | 1 |

A = 30 STANDARD CONTACTS L = 3  
 B = 32 STANDARD CONTACTS L = 3  
 C = 30 STANDARD CONTACTS L = 3  
 Z = 2 FMLB CONTACTS +0.6 L = 3  
 X = 2 FMLB CONTACTS +0.6 L = 3  
 S = 96 TOTAL NUMBER OF CONTACTS

|                   |   |
|-------------------|---|
| MARKING           | STANDARD                                      |
| PERFORMANCE LEVEL | G2/O = CONTACT AREA LEVEL 2 / TERMINATION TIN |
| FLUX PROOF        | NO  |
| FIXING CLIP       | NO  |
| DIMENSIONS        | SD-85003-0001 SHT 2                           |

|                |                   |                         |
|----------------|-------------------|-------------------------|
| X              | G2/O              | c1, 32                  |
| Z              | G2/O              | a1, 32                  |
| C              | G2/O              | c2-31                   |
| B              | G2/O              | b1-32                   |
| A              | G2/O              | a2-31                   |
| CONTACT SYMBOL | PERFORMANCE LEVEL | CONTACT POSITION NUMBER |

|  |  |   |  |  |  |  |  |                     |
|--|--|---|--|--|--|--|--|---------------------|
| EC NO. I 2004-XXXX<br>DRAWN: 09/09/03<br>CHK: G.L.: 09/09/03<br>APPR: L.L.: 09/09/03 | QUALITY SYMBOLS<br>MAJOR $\nabla$<br>CRITICAL $\nabla$ | GENERAL TOLERANCES:<br>(UNLESS SPECIFIED)<br>mm INCH<br>4 PLACES $\pm 0.1$ $\pm$<br>3 PLACES $\pm 0.1$ $\pm$<br>2 PLACES $\pm 0.1$ $\pm$<br>1 PLACE $\pm 0.1$ $\pm$ | SCALE<br>DRAWN BY & DATE<br>S.S. 16/05/02<br>CHECKED BY & DATE<br>G.L. 16/05/02<br>APPROVED BY & DATE<br>G.L. 16/05/02         | DESIGN UNITS<br><input checked="" type="checkbox"/> MM <input type="checkbox"/> INCH   | THIRD ANGLE PROJECTION<br><input checked="" type="checkbox"/> THIRD ANGLE <input type="checkbox"/> FIRST ANGLE                 | DIMENSIONS:<br><input type="checkbox"/> MM <input type="checkbox"/> INCH <input checked="" type="checkbox"/> MM ONLY           | SHT 1 REV<br>REVISE ON CAD ONLY  |                     |
|  | DESCRIPTION<br>C                                       | THIS DRAWING CONTAINS INFORMATION THAT IS PROPRIETARY TO MOLEX INCORPORATED AND SHOULD NOT BE USED WITHOUT WRITTEN PERMISSION.                                      | CAD FILENAME<br>SD-85003-1548.S0   | MATERIAL NO.<br>85003-1548   | DRAWING NO.<br>SD-85003-1548   | TITLE:<br>96 POS MALE CONNECTOR<br>ACCORDING DIN 41612 STYLE C<br>CONTACTS ARRANGEMENT   | MOLEX MOLEX INCORPORATED   | SHEET NO.<br>1 OF 1 |
|  | DRAFT WHERE APPLICABLE MUST REMAIN WITHIN DIMENSIONS   | THIS DRAWING CONTAINS INFORMATION THAT IS PROPRIETARY TO MOLEX INCORPORATED AND SHOULD NOT BE USED WITHOUT WRITTEN PERMISSION.                                      | THIS DRAWING CONTAINS INFORMATION THAT IS PROPRIETARY TO MOLEX INCORPORATED AND SHOULD NOT BE USED WITHOUT WRITTEN PERMISSION. | THIS DRAWING CONTAINS INFORMATION THAT IS PROPRIETARY TO MOLEX INCORPORATED AND SHOULD NOT BE USED WITHOUT WRITTEN PERMISSION. | THIS DRAWING CONTAINS INFORMATION THAT IS PROPRIETARY TO MOLEX INCORPORATED AND SHOULD NOT BE USED WITHOUT WRITTEN PERMISSION. | THIS DRAWING CONTAINS INFORMATION THAT IS PROPRIETARY TO MOLEX INCORPORATED AND SHOULD NOT BE USED WITHOUT WRITTEN PERMISSION. | THIS DRAWING CONTAINS INFORMATION THAT IS PROPRIETARY TO MOLEX INCORPORATED AND SHOULD NOT BE USED WITHOUT WRITTEN PERMISSION. | SIZE<br>D           |
|  |  |   |  |  |  |  |  |                     |

24-border.DGN REV A 96/06/12 LEVEL 6 19 18 17 16 15 14 13 12 11 10 9 8 7 6 5 4 3 2 1