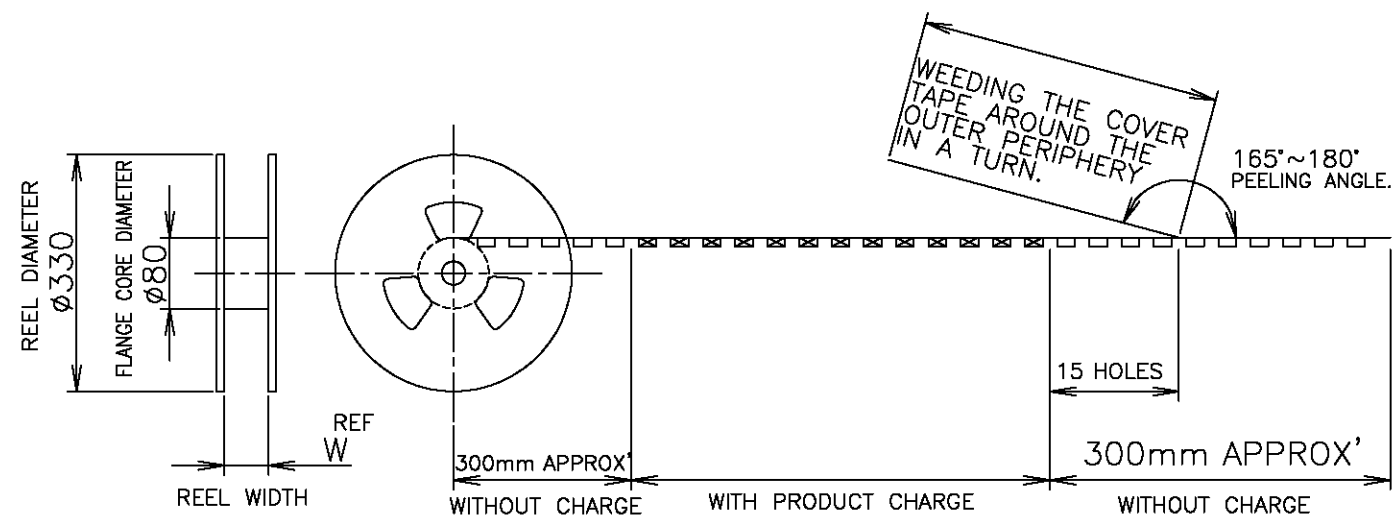
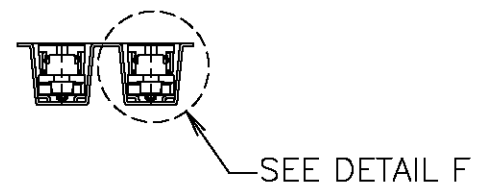
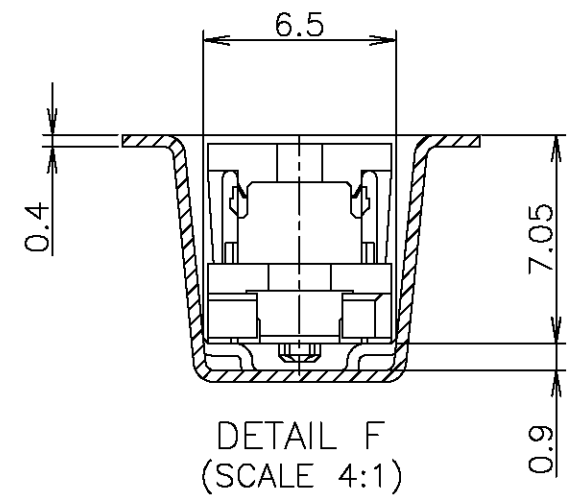
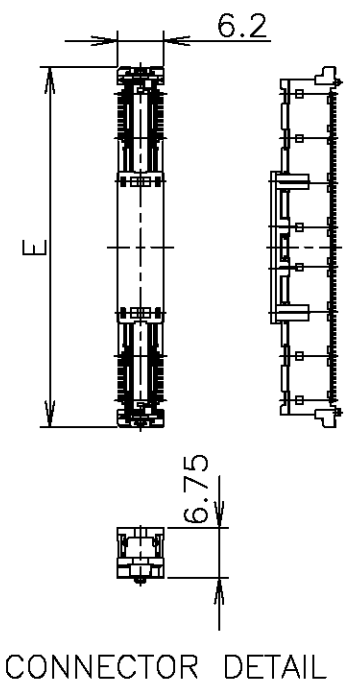
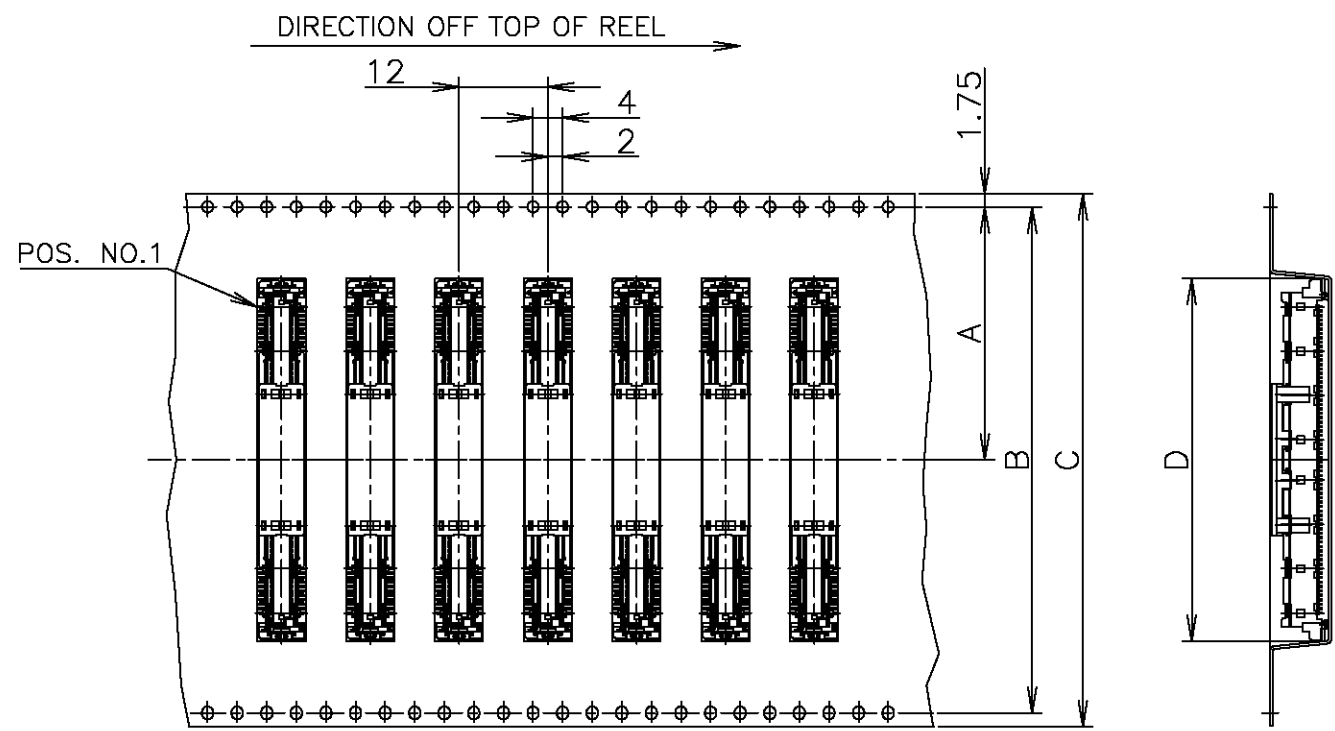


THIS DRAWING IS UNPUBLISHED. RELEASED FOR PUBLICATION JAN , 2002.  
 © COPYRIGHT 2002 BY TYCO ELECTRONICS CORPORATION. ALL RIGHTS RESERVED.

LOC	DIST	REVISIONS					
J		P	LTR	DESCRIPTION	DATE	DWN	APVD
		O		RELEASED FJB0-0001-05	10DEC04	H.H	I.E



SEALANT(SIF-200B)	NOT AVAILABLE	650	77.5	54.7	55	72	68.4	34.2	160		
			77.5	48.7	49	72	68.4	34.2	140		
			61.5	42.7	43	56	52.4	26.2	120		
			61.5	36.7	37	56	52.4	26.2	100		
			61.5	33.7	34	56	52.4	26.2	90		
			49.5	30.7	31	44	40.4	20.2	80		
			49.5	27.7	28	44	40.4	20.2	70		
			49.5	24.7	25	44	40.4	20.2	60		
		NOT AVAILABLE	650	37.5	21.7	22	32	28.4	14.2	50	
	NON SEALANT	NOT AVAILABLE	650	77.5	54.7	55	72	68.4	34.2	160	
			77.5	48.7	49	72	68.4	34.2	140		
			61.5	42.7	43	56	52.4	26.2	120		
			61.5	36.7	37	56	52.4	26.2	100		
			61.5	33.7	34	56	52.4	26.2	90		
			49.5	30.7	31	44	40.4	20.2	80		
			49.5	27.7	28	44	40.4	20.2	70		
			49.5	24.7	25	44	40.4	20.2	60		
		NOT AVAILABLE	650	37.5	21.7	22	32	28.4	14.2	50	
		AVAILABLE	650	37.5	21.7	22	32	28.4	14.2	50	6612008-3
SEALANT	TOOLING STATUS	QTY	W	E	D	C	B	A	POS.	PART NO.	

△ THIS PRODUCT WAS COATED BY FLUX-PENETRATION -INHIDITING AGENT.

LEAD FREE

THIS DRAWING IS A CONTROLLED DOCUMENT.

DIMENSIONS: MM	TOLERANCES UNLESS OTHERWISE SPECIFIED:	DWN HAWKING HE 10DEC04		Tyco Electronics AMP K.K. Kawasaki.Japan
MATERIAL	FINISH	CHK STEVEN YAO 10DEC04		NAME
		APVD I.ENOMOTO 10DEC04	PRODUCT SPEC	FH 0.6BTB CONNECTOR
			APPLICATION SPEC	PLUG 6H STD TYPE WITH 1ROW CAP
			WEIGHT	RESTRICTED TO
			CUSTOMER DRAWING	SCALE 1:1 SHEET 1 OF 4 REV 0

4

3

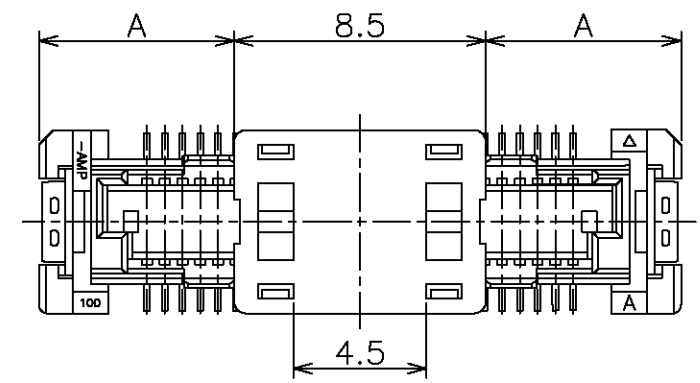
2

1

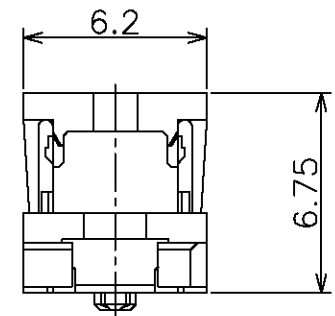
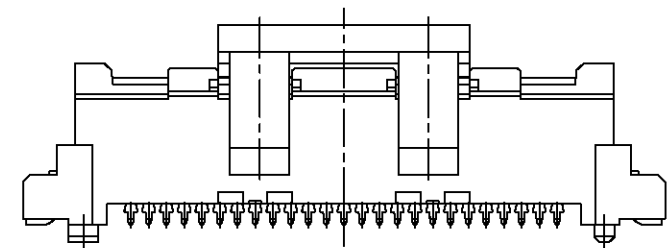
THIS DRAWING IS UNPUBLISHED. RELEASED FOR PUBLICATION JUN , 1996.

© COPYRIGHT 1996 BY TYCO ELECTRONICS CORPORATION. ALL RIGHTS RESERVED.

LOC	DIST	REVISIONS					
J	/	P	LTR	DESCRIPTION	DATE	DWN	APVD
		-		SEE SHEET 1	-	-	-



1 CONNECTORS DIMENSION AND RECOMMENDED P.C. BOARD LAYOUT : SEE CONNECTOR DRAWING



LEAD FREE

NOT AVAILABLE		80	
NOT AVAILABLE		70	
NOT AVAILABLE		60	
AVAILABLE	6.6	50	1123835-2
TOOLING STATUS	A	POS	CAP P/N

THIS DRAWING IS A CONTROLLED DOCUMENT.		DWN HAWKING HE 10DEC04	<b>tyco</b> Tyco Electronics AMP K.K.	
DIMENSIONS: MM		CHK STEVEN YAO 10DEC04	<b>Electronics</b> Kawasaki, Japan	
TOLERANCES UNLESS OTHERWISE SPECIFIED:		APVD I. ENOMOTO 10DEC04	NAME	
0 PLC ± 0.2		PRODUCT SPEC	EMBOSS ASSY	
1 PLC ± 0.2		108-60047	FH 0.6BTB CONNECTOR	
2 PLC ± 0.2		APPLICATION SPEC	PLUG 6H STD TYPE WITH 1ROW CAP	
3 PLC ± 0.2		114-5255	SIZE	CAGE CODE
4 PLC ± 0.2		WEIGHT	A3	00779
ANGLES ± 3°		CUSTOMER DRAWING	DRAWING NO	RESTRICTED TO
FINISH		©=6612008		-
		SCALE	4:1	SHEET 2 OF 4
				REV 0

4

3

2

1

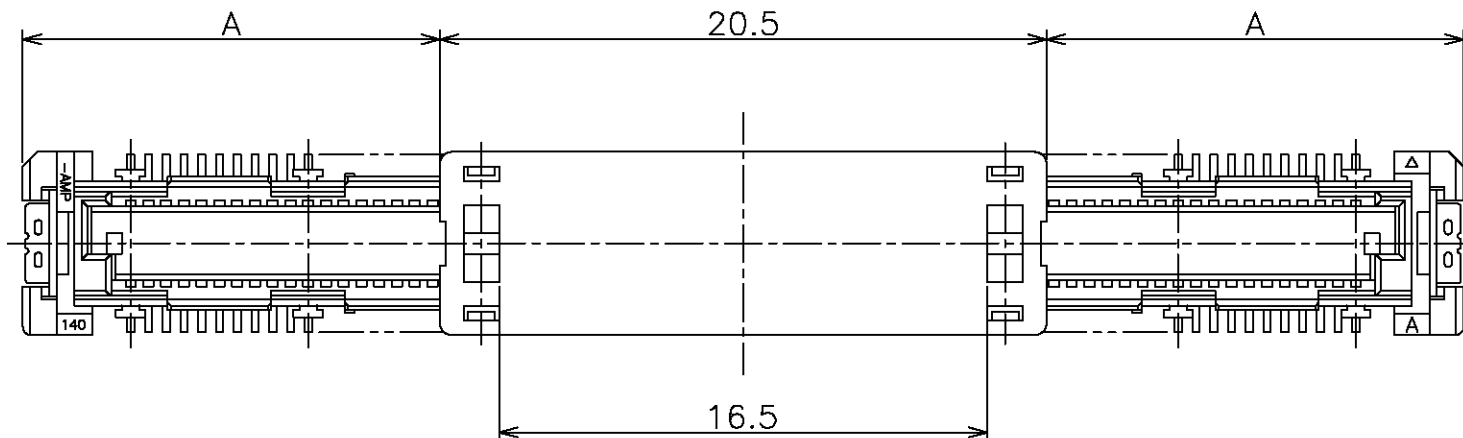
THIS DRAWING IS UNPUBLISHED.

RELEASED FOR PUBLICATION

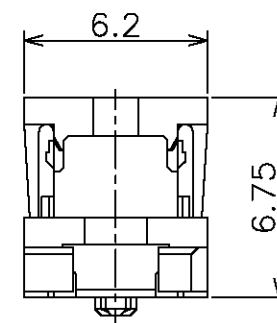
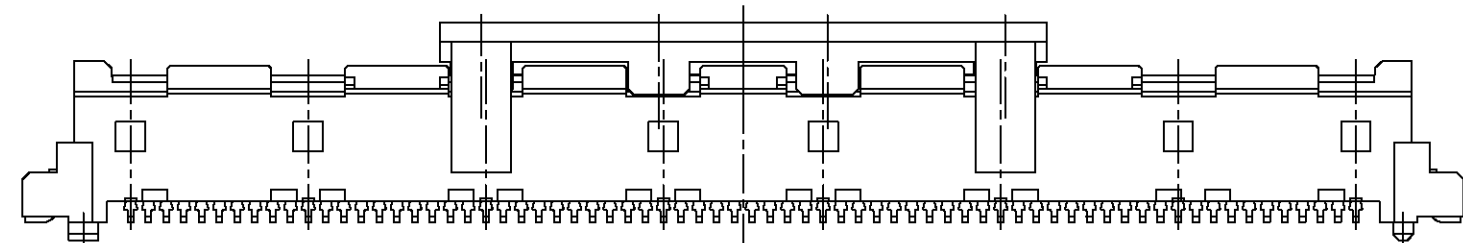
JUN , 1996.

© COPYRIGHT 1996 BY TYCO ELECTRONICS CORPORATION. ALL RIGHTS RESERVED.

LOC	DIST	REVISIONS			
P	LTR	DESCRIPTION	DATE	DWN	APVD
J	/	SEE SHEET 1	-	-	-



1 CONNECTORS DIMENSION AND RECOMMENDED P.C. BOARD LAYOUT : SEE CONNECTOR DRAWING

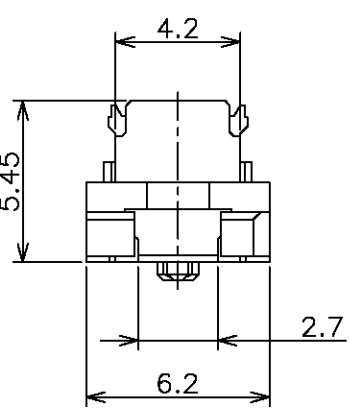
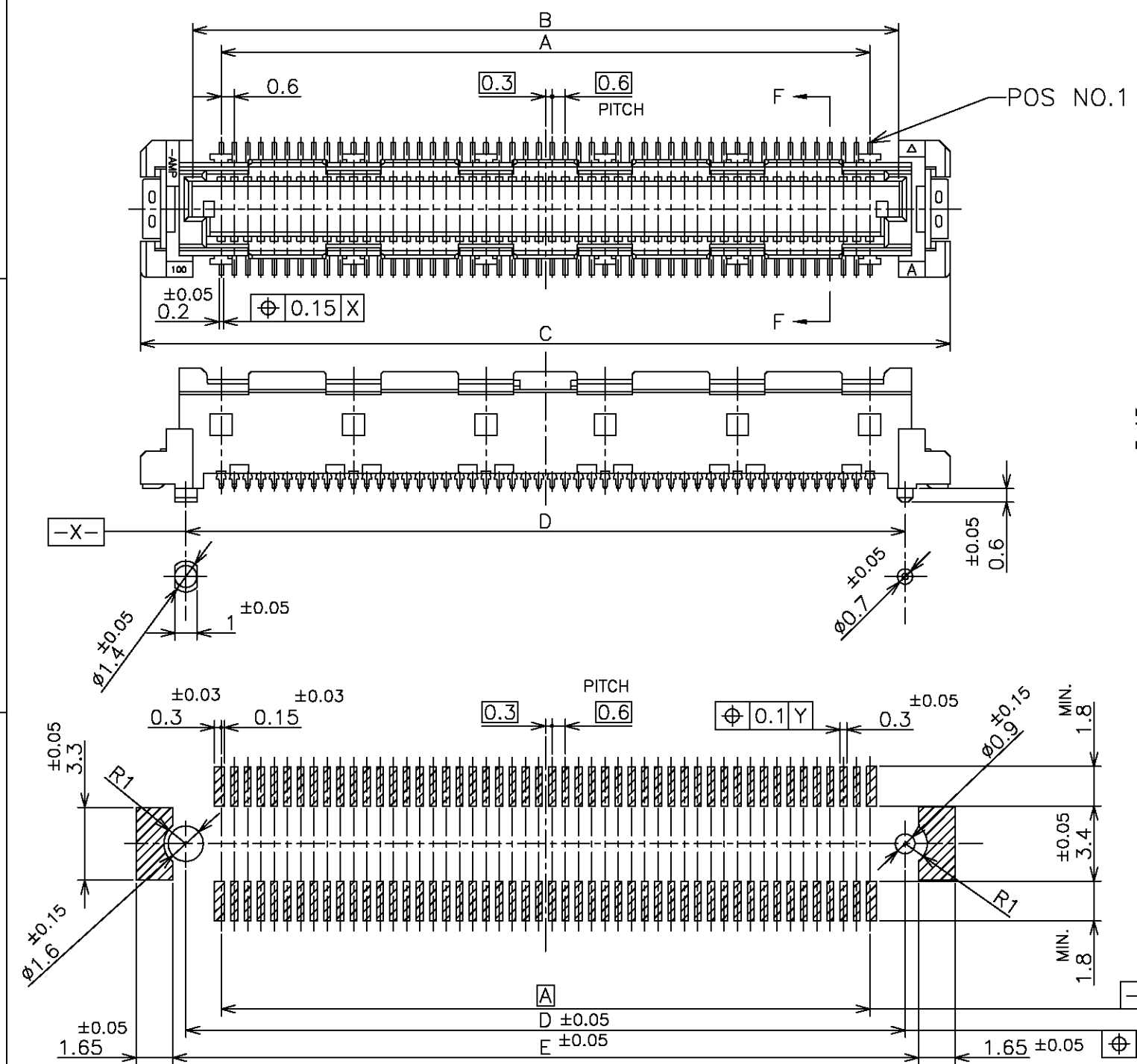


LEAD FREE

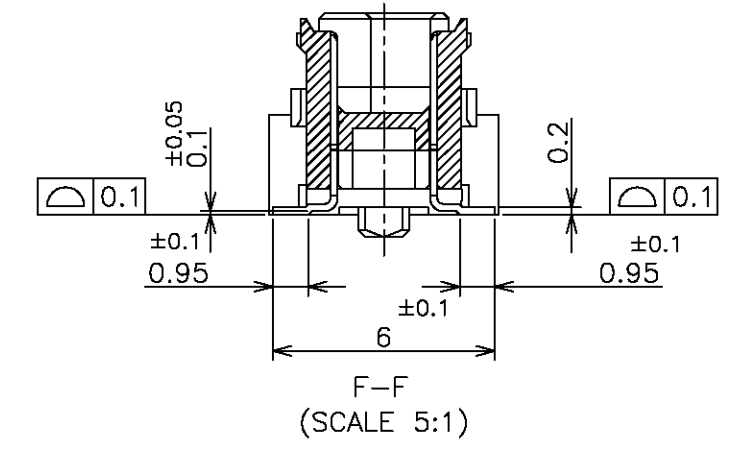
NOT AVAILABLE		160	
NOT AVAILABLE		140	
NOT AVAILABLE		120	
NOT AVAILABLE		100	
NOT AVAILABLE		90	
TOOLING STATUS	A	POS	CAP P/N

THIS DRAWING IS A CONTROLLED DOCUMENT.		DWN HAWKING HE 10DEC04	<b>tyco</b> Tyco Electronics AMP K.K.	
DIMENSIONS: MM		CHK STEVEN YAO 10DEC04	<b>Electronics</b> Kawasaki, Japan	
TOLERANCES UNLESS OTHERWISE SPECIFIED:		APVD I. ENOMOTO 10DEC04	NAME	
0 PLC ± 0.2		PRODUCT SPEC	EMBOSS ASSY	
1 PLC ± 0.2		108-60047	FH 0.6BTB CONNECTOR	
2 PLC ± 0.2		APPLICATION SPEC	PLUG 6H STD TYPE WITH 1ROW CAP	
3 PLC ± 0.2		114-5255	SIZE A3	RESTRICTED TO
4 PLC ± 0.2		WEIGHT	CAGE CODE 00779	DRAWING NO C=6612008
ANGLES ± 3°		CUSTOMER DRAWING	SCALE 4:1	SHEET 3 OF 4
MATERIAL		FINISH		REV 0

LOC	DIST	REVISIONS					
J		P	LTR	DESCRIPTION	DATE	DWN	APVD
		-		SEE SHEET 1	-	-	-



- ① MATERIAL : HOUSING : HIGH TEMP THERMO PLASTIC UL94V-0  
CONTACT : COPPER ALLOY
- ② FINISH : UNDER PL Ni 0.0013mm MIN ALL OVER.  
CONTACT AREA 0.0002 MIN Au PL.  
SOLDERING AREA 0.001 MIN TIN PL.
- ③ SEE PACKING ASSY DWG AS FINAL ASSY PART NUMBER.



LEAD FREE

RECOMMENDED P.C. BOARD LAYOUT  
(VIEW FROM CONN. MOUNTING SIDE)

NOT AVAILABLE	51.8	50.6	54.7	50	47.4	160
AVAILABLE	45.8	44.6	48.7	44	41.4	140
NOT AVAILABLE	39.8	38.6	42.7	38	35.4	120
AVAILABLE	33.8	32.6	36.7	32	29.4	100
NOT AVAILABLE	30.8	29.6	33.7	29	26.4	90
NOT AVAILABLE	27.8	26.6	30.7	26	23.4	80
AVAILABLE	24.8	23.6	27.7	23	20.4	70
NOT AVAILABLE	21.8	20.6	24.7	20	17.4	60
AVAILABLE	18.8	17.6	21.7	17	14.4	50
NOT AVAILABLE	15.8	14.6	18.7	14	11.4	40
NOT AVAILABLE	12.8	11.6	15.7	11	8.4	30
TOOLING STATUS	E	D	C	B	A	POS

THIS DRAWING IS A CONTROLLED DOCUMENT.		DWN HAWKING HE 10DEC04	Tyco Electronics AMP K.K. Kawasaki, Japan		
DIMENSIONS: MM		CHK STEVEN YAO 10DEC04			
TOLERANCES UNLESS OTHERWISE SPECIFIED:		APVD I. ENOMOTO 10DEC04	NAME		
0 PLC ± 0.3 1 PLC ± 0.3 2 PLC ± 0.3 3 PLC ± 0.3 4 PLC ± 0.3 ANGLES ± 3°		PRODUCT SPEC 108-60047		EMBOSS ASSY FH 0.6BTB CONNECTOR PLUG 6H STD TYPE WITH 1ROW CAP	
MATERIAL		APPLICATION SPEC		SIZE	RESTRICTED TO
FINISH		114-5255		A3	-
①		WEIGHT		CAGE CODE 00779	DRAWING NO C=6612008
②		CUSTOMER DRAWING		SCALE 4:1	SHEET 4 OF 4