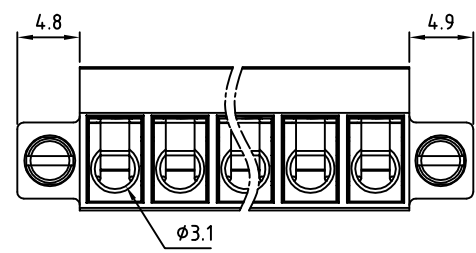
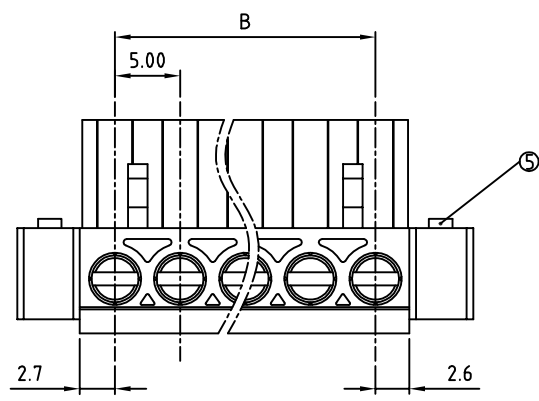
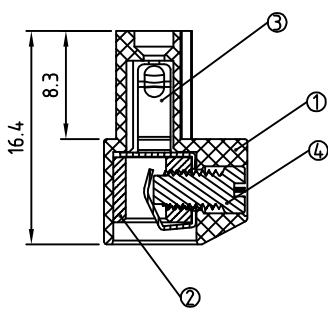
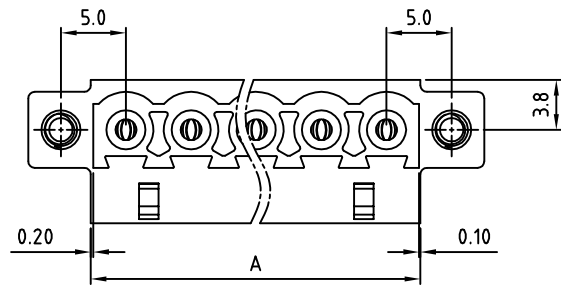


SIGN	DATE	DESCRIPTION	APPROVER
△			
THIS IS CAD DRAWING, DO NOT REVISE MANUALLY!!!			



- Material:
- Item ① Insulator(housing): Thermoplastic (UL94V-0)
  - Item ② Terminal Body: Brass
  - Item ③ Wire guard: PhBz
  - Item ④ Terminal Screw: Steel zinc plated.
  - Item ⑤ With flangescrew: M2.5 Steel Zinc plated.

- Electrical: UL
- Voltage rating: 300 V
  - Current rating: 15 A
  - Wire range:
    - Solid wire(AWG): 12-22
    - Stranded wire(AWG): 12-22
  - Torque: 4.3 Lbs.-In
  - Screw: M3
  - Wire strip length: 5 mm
  - Withstanding Voltage: 1.6KV
  - Operating temperature: -40°C to +115°C
- RoHS Compliant

PART NUMBER:

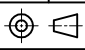
OSTEZXX7152

- |              |                     |
|--------------|---------------------|
| No. of Poles | COLOR               |
| 02 2 Poles   | 0: Black            |
| 03 3 Poles   | 5: Green (Standard) |
| ... ..       | 6: Blue             |
| 24 24 Poles  | 8: Grey             |

THESE DRAWINGS AND SPECIFICATIONS ARE THE PROPERTY OF ON-SHORE TECHNOLOGY, INC. AND SHALL NOT BE REPRODUCED, COPIED OR USED IN ANY MANNER WITHOUT THE PRIOR WRITTEN CONSENT OF ON-SHORE TECHNOLOGY, INC.

POLE		2	3	4	5	6	7	8	9	10	11	12
A		10.30	15.30	20.30	25.30	30.30	35.30	40.30	45.30	50.30	55.30	60.30
B		5.00	10.00	15.00	20.00	25.00	30.00	35.00	40.00	45.00	50.00	55.00
Tol.		±0.15					±0.20					
POLE	13	14	15	16	17	18	19	20	21	22	23	24
A	65.30	70.30	75.30	80.30	85.30	90.30	95.30	100.30	105.30	110.30	115.30	120.30
B	60.00	65.00	70.00	75.00	80.00	85.00	90.00	95.00	100.00	105.00	110.00	115.00
Tol.		±0.25					±0.30					

**OST** ON-SHORE TECHNOLOGY, INC.

TITLE	OSTEZ-5.0 w/Flange Series				
PART NO.	OSTEZXX7152		DWG NO.	OSTEZXX7152.DWG	
APPROVED	CHECKED	DESIGNED	DRAWN	CUST NO.	Tolerance
		Tony 2007.07.03	Tony 2007.07.03		X. ±0.50 X.X ±0.30 X.XX ±0.10 X° ±1°
				 SHEET: 01/01 UNIT: mm SCALE: NONE REV.: B	