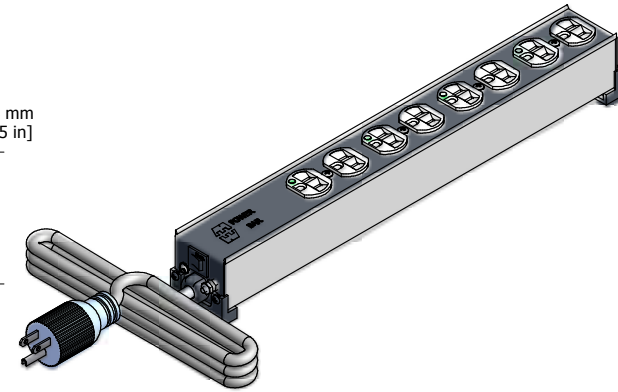
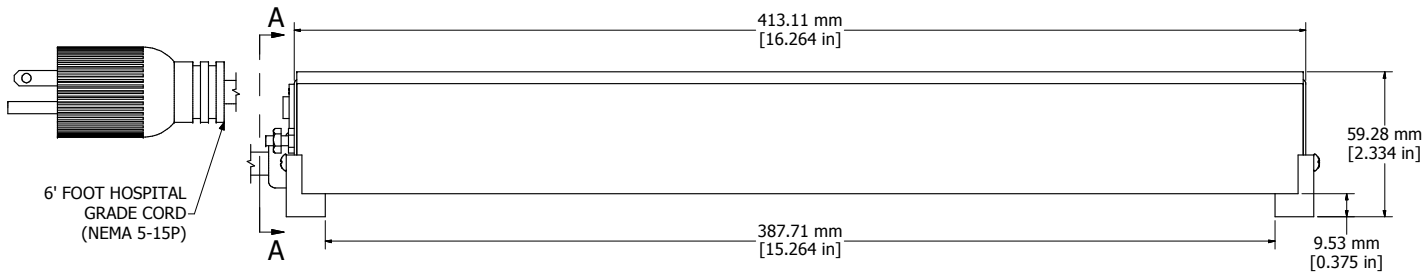


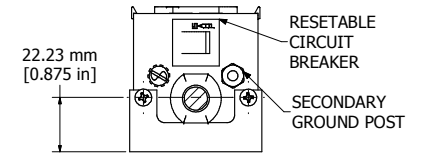
ASSEMBLY - VIEW FROM TOP



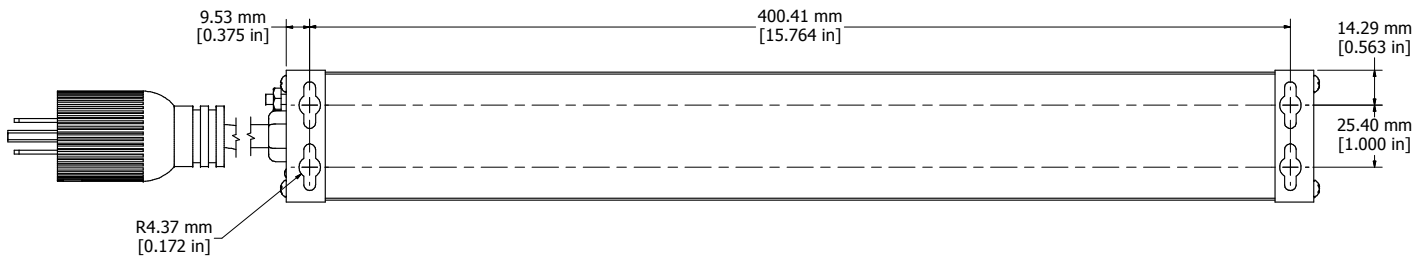
ISOMETRIC VIEW



ASSEMBLY - VIEW FROM SIDE



SECTION A-A



ASSEMBLY - VIEW FROM BOTTOM

1584T8DH6	
Finish - Top	Black Painted Steel
Finish - Bottom	Aluminum Extrusion
Rated	120 VAC, 60 Hz, 15 Amps
Approvals	CSA Certified Standards C22.2 (No. 21-95, 42-99), Cord Sets no. 8 - Hospital Grade Powerbars (Canada Only) - TUVus Certified to UL60601-1 & UL1363
Cord Length	
1584T8DH6	- 6' Foot Power Cord (NEMA 5-15P)
1584T8DH	- 12' Foot Power Cord (NEMA 5-15P)

