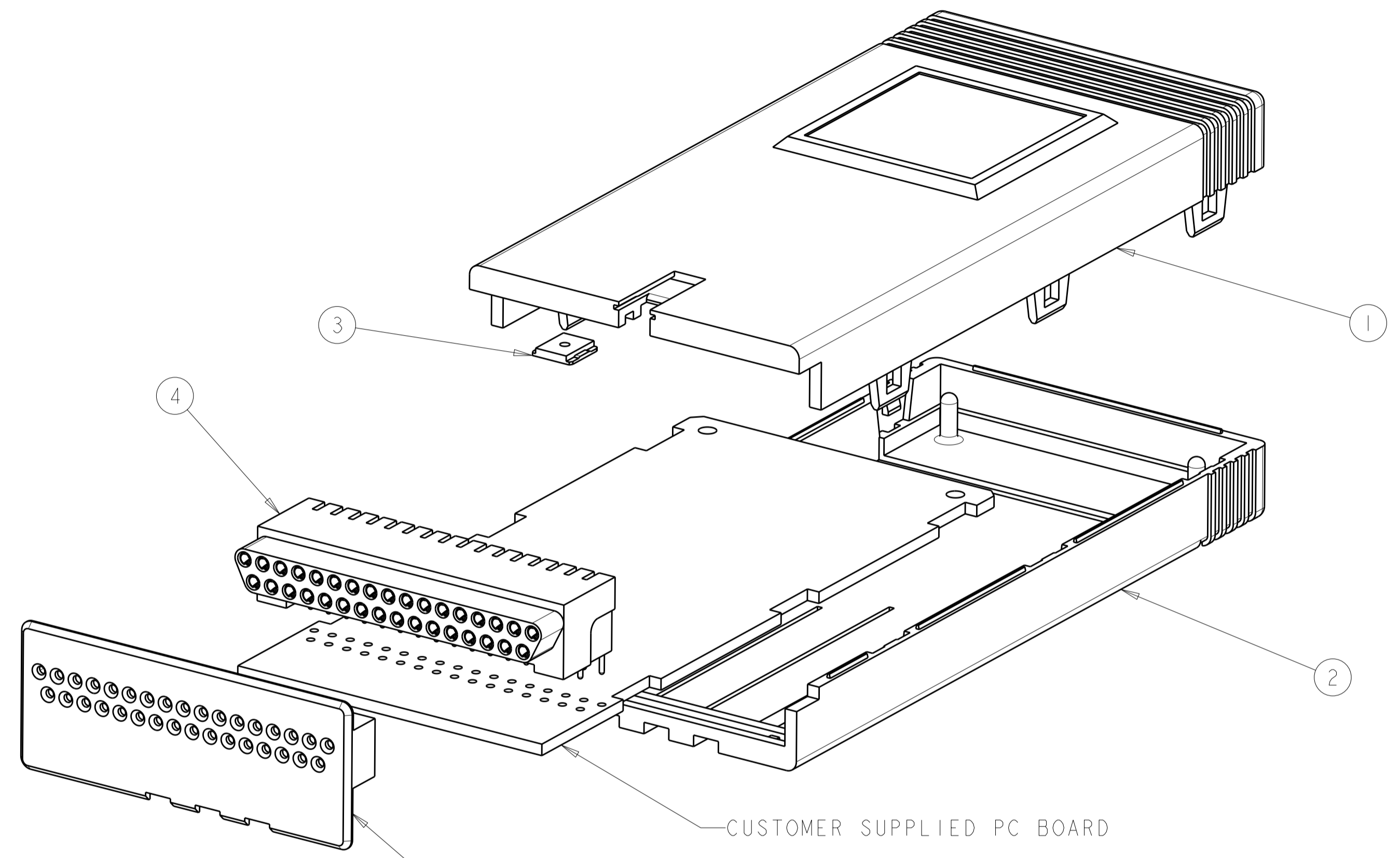


THIS DRAWING IS UNPUBLISHED. RELEASED FOR PUBLICATION 20  
 © COPYRIGHT 20 BY - ALL RIGHTS RESERVED.

LOC	DIST	REVISIONS					
GP	00	P	LTR	DESCRIPTION	DATE	DWN	APVD
		C	I	ECO-06-12417	04OCT2006	MB	JO
		D		REVISED PER ECO-11-012964	28JUL2011	CJV	SLB



5 (745427-1 SHOWN)

3	1	745427-3	3	5-745447-1	745442-1	745638-1	745637-1	5-745640-4			
3	2	745427-1	3	5-745447-1	745442-1	745638-1	745637-1	5-745640-2			
3	1	745427-1	3	5-745447-1	745442-1	745638-1	745637-1	5-745640-1			
1		OBSOLETE		745427-3	745447-1	745442-1	745638-1	745637-1	745640-4		
2		745427-1		745447-1	745442-1	745638-1	745637-1	745640-2			
1		745427-1		745447-1	745442-1	745638-1	745637-1	745640-1			
5		FACE COVER	4	RCPT ASSY	3	SLIDE SWITCH	2	BOTTOM COVER	1	TOP COVER	PART NO.
		QTY = 1		QTY = 1		QTY = 1		QTY = 1		QTY = 1	

- 1 COMPONENTS BULK PACKED PER DASH NO. REFER TO PACKAGING SPEC. NO. 107-40059-1.
- 2 COMPONENTS KIT PACKED PER DASH NO. REFER TO PACKAGING SPEC. NO. 107-40059-2.
- 3 ROHS 2002/95/EC COMPLIANT

THIS DRAWING IS A CONTROLLED DOCUMENT.

DWN	R BROWN	19MAR2001
CHK	J OLSON	19MAR2001
APVD	J OLSON	19MAR2001

STE TE Connectivity

NAME: KIT, LONG CASSETTE ASSY, AMPLIMITE CASSETTE CONN, SYSTEM

SIZE	A2	CAGE CODE	00779	DRAWING NO.	C-745640	RESTRICTED TO	-
SCALE	1:2	SHEET	1	OF	1	REV	D

CUSTOMER DRAWING