

## DETAILS

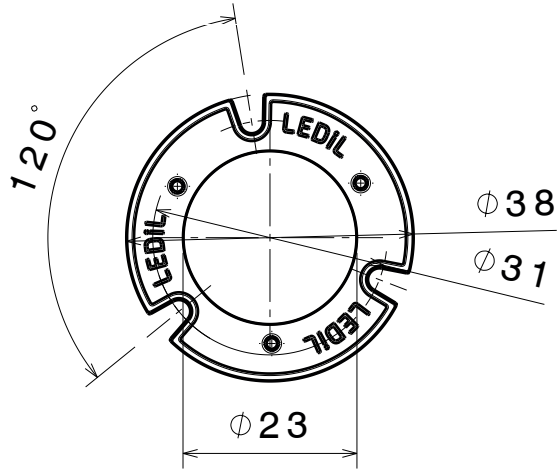
<b>Product Number</b>	CN13773_MIRELLA-50-S-PF-RZL
<b>Family</b>	Mirella
<b>Type</b>	RefPack
<b>Color</b>	metal
<b>Diameter</b>	49,9 mm
<b>Height</b>	25,8 mm
<b>Style</b>	round
<b>Optic Material</b>	PC
<b>Holder Material</b>	
<b>Fastening</b>	screw, socket
<b>Status</b>	production ready
<b>ROHS Compliant</b>	Yes
<b>Date Updated</b>	2/11/2016

## OPTICAL PROPERTIES

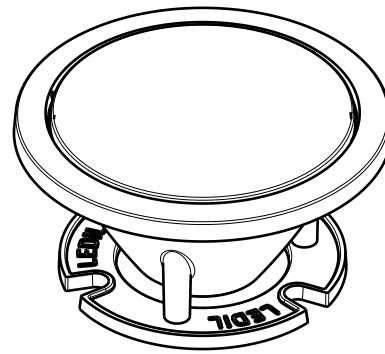
LED	Viewing Angle	Light Beam	Effi- ciency	cd/lm	Connector
CXA/B 15xx	27 deg	Spot	82 %	2.300	-



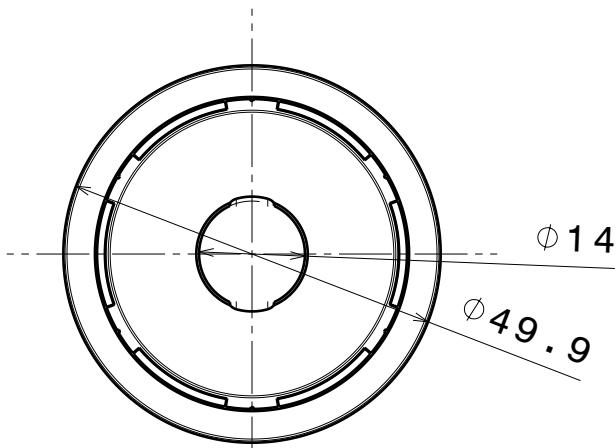
NOTE: It is recommended to use glue like DELO-PUR 9895 for pin fastening.  
[http://www.delo.de/fileadmin/datasheet/DELO-PUR\\_9895\\_\(TIDB-GB\).pdf](http://www.delo.de/fileadmin/datasheet/DELO-PUR_9895_(TIDB-GB).pdf)



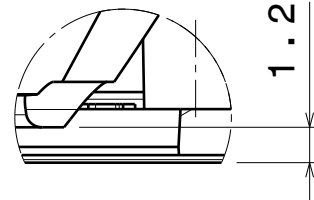
Front view



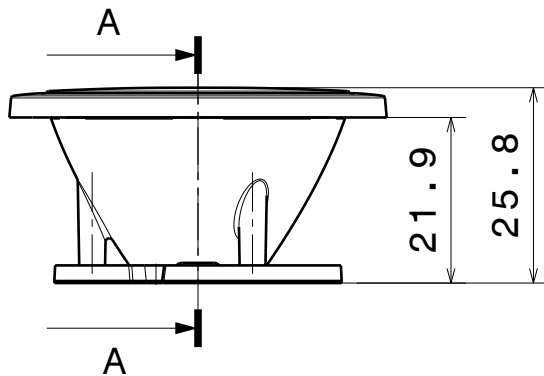
Isometric view



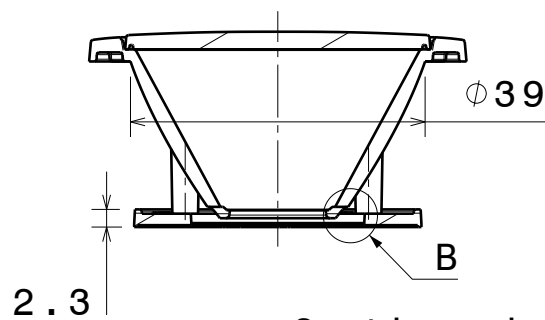
Top view



Detail B



Front view



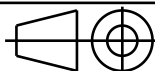
Section view A-A

Tolerances if not otherwise shown  
 According to DIN ISO 2768-1  
 Linear measures:  
 Up to 30mm class M, otherwise class C.  
 According to DIN ISO 2768-2  
 Form and position: class L



Ledil Oy  
 Salorankatu 10  
 FIN 24240 SALO  
 Finland

THIRD ANGLE PROJECTION:



DRAWING TITLE

MIRELLA-PF-RZL-CXA15 Datasheet

This drawing is the property of LEDiL Oy. It may not be reproduced, copied or communicated without a written agreement with LEDiL Oy.

SIZE PART NUMBER

A4

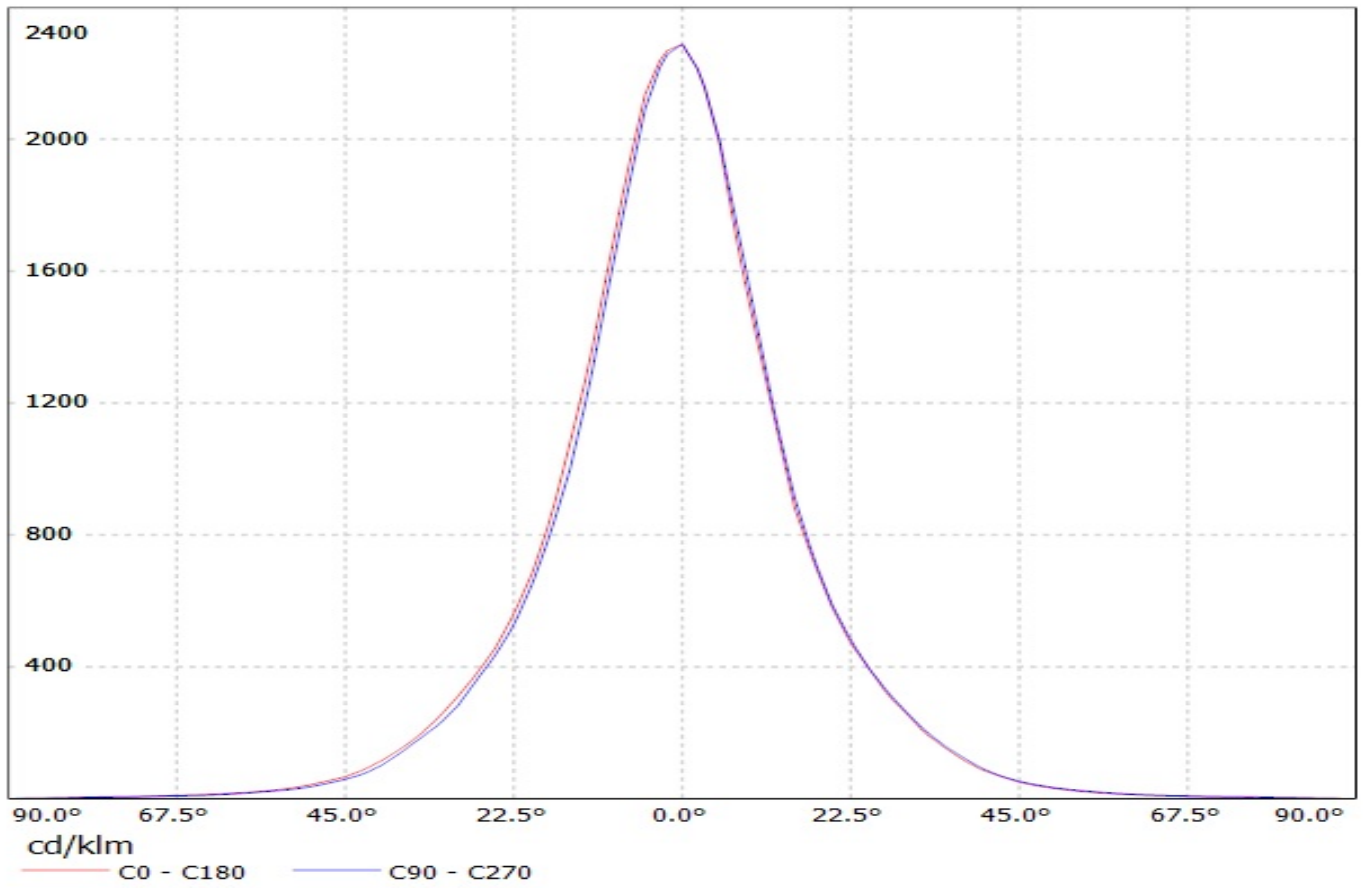
-

SCALE 1:1 WEIGHT

-

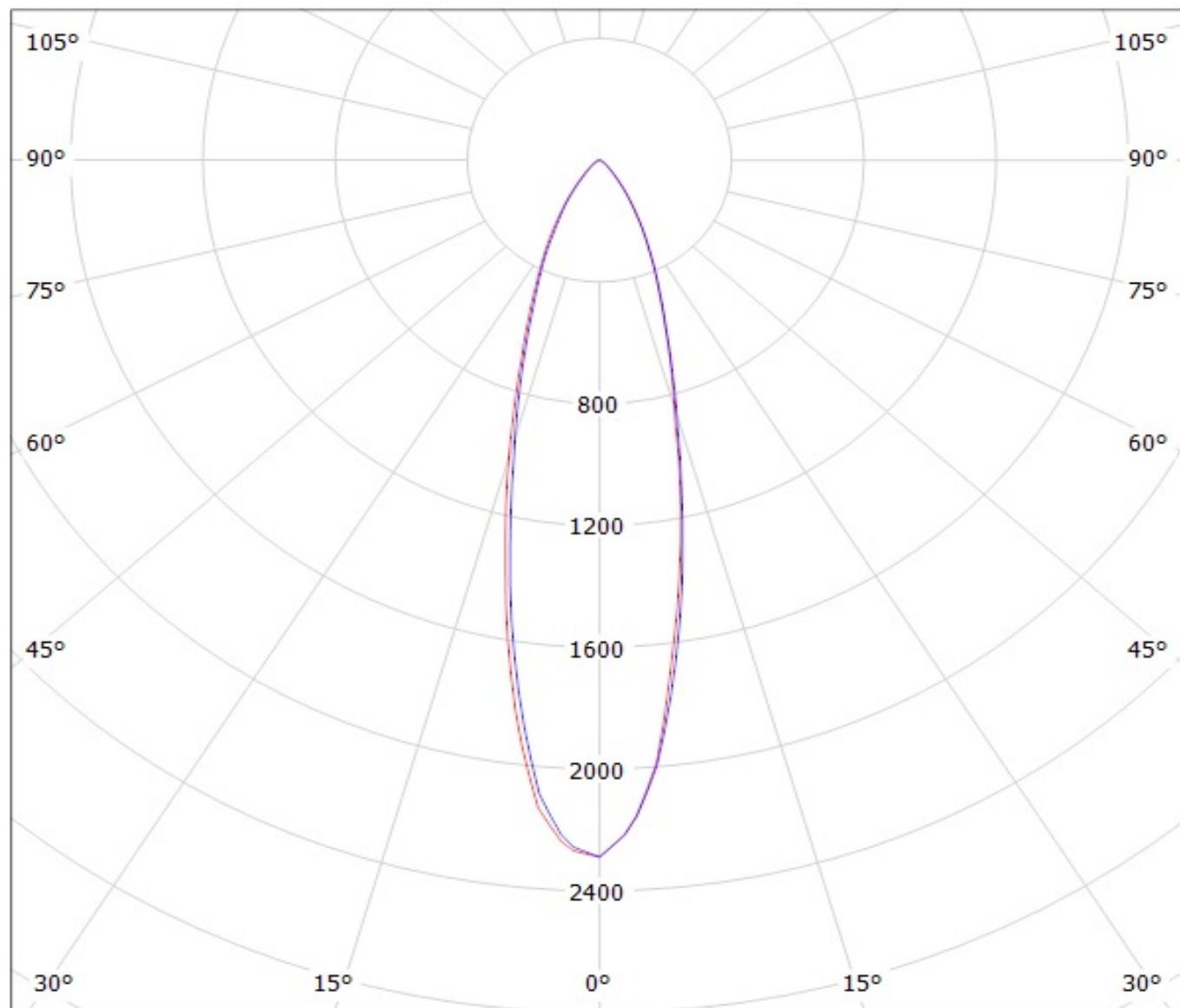
SHEET 1/1

Luminaire: LEDil Oy CN13773\_MIRELLA-50-S-PF-RZL\_(CXA15) Efficiency=82%  
Lamps: 1 x Cree CXA15 (CXA1507-30F-F4-N0H-00000) 218lm @ 50mA CCT=3100K P=1.7W I=50mA



Luminaire: LEDil Oy CN13773\_MIRELLA-50-S-PF-RZL\_(CXA15) Efficiency=82%

Lamps: 1 x Cree CXA15 (CXA1507-30F-F4-N0H-00000) 218lm @ 50mA CCT=3100K P=1.7W I=50mA



cd/klm

— C0 - C180

— C90 - C270

$\eta = 83\%$

**NOTE: The typical divergence will be changed by different color, chip size and chip position tolerance. The typical total divergence is the full angle measured where the luminous intensity is half of the peak value.**

### **GENERAL INFORMATION**

- Product series especially designed & optimized for series of LEDs.
- Special care taken to make light distribution as uniform as possible.

Note! Due to use of high power COB's with this product, special attention to proper thermal design is highly recommended. LEDiL has no liability for direct, indirect or consecutive damages arising from the LEDiL products being used outside of the recommended temperature range.