

NOTES:

1.0 ELECTRICAL SPECIFICATIONS:

- 1.1 FREQUENCY RANGE: 2.0 to 8.0 GHz
- 1.2 FREQ. SENSITIVITY:  $\pm 0.60\text{dB}$
- 1.3 VSWR (MAX): 1.40:1
- 1.4 INSERTION LOSS: 0.70dB MAX. (EXCLUDING COUP. LOSS)
- 1.5 DIRECTIVITY:
  - 2 to 8 GHz: 18dB MIN.
- 1.6 POWER: SEE TABLE
- 1.7 RF IMPEDANCE: 50 OHMS
- 1.8 COUPLING: SEE TABLE
- 1.9 WEIGHT (MAX.): 7.0 oz.

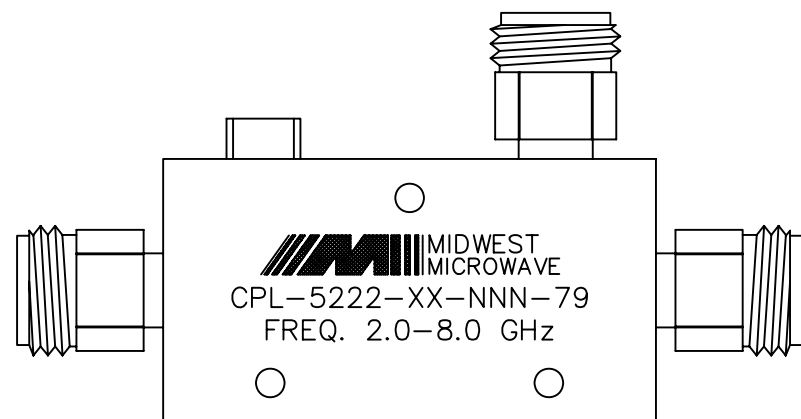
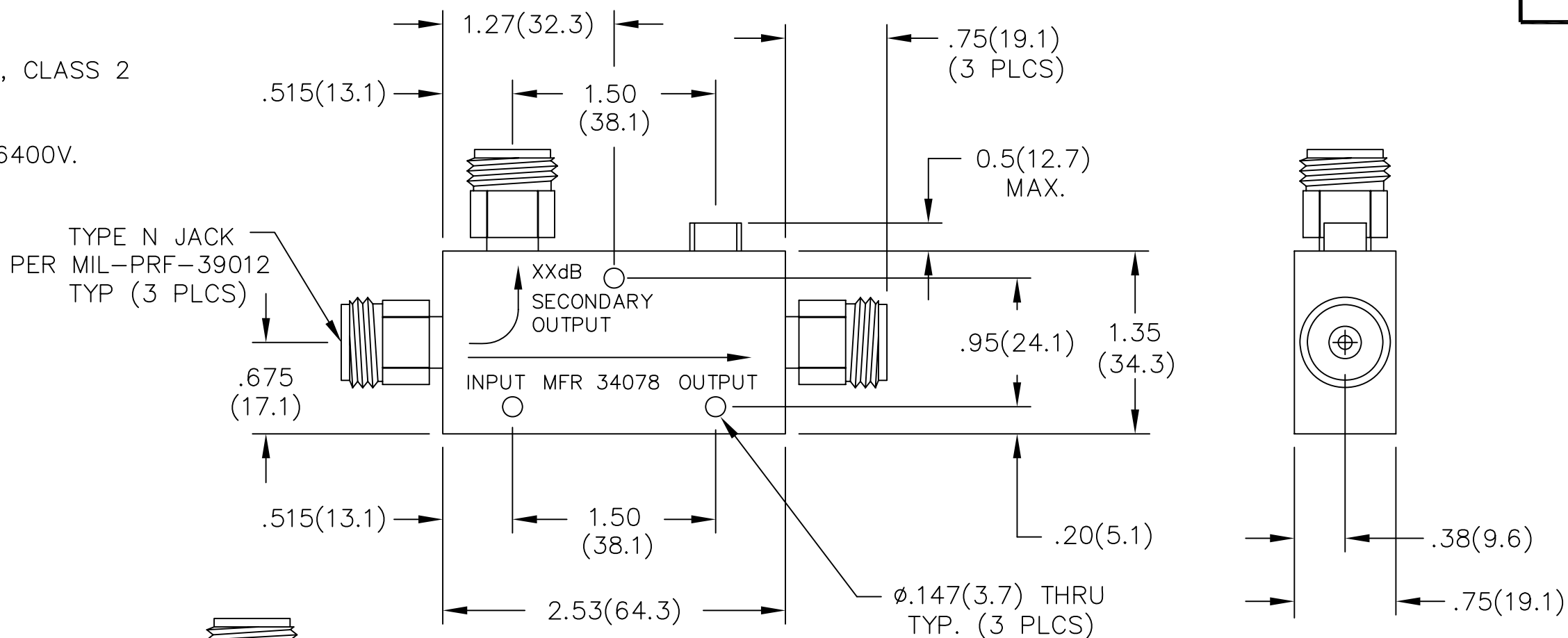
2.0 FINISHING:

- 2.1 GREY OVER MIL-E-15090 TYPE II, CLASS 2  
OVER MIL-C-5541 CLASS 3A  
MEETS MIL-F-14072  
MEETS MIL-E-5400 AND MIL-E-16400V.
- 2.2 MARK UNIT AS SHOWN.  
REF: SLK-08029-82-[20-23]

3.0 DIMENSIONS IN PARENTHESIS ARE IN MILLIMETERS.

MIDWEST MODEL NUMBER CPL-5222-XX-NNN-79	NOMINAL COUPLING	POWER(WATTS)		
		INPUT	REF	PEAK
CPL-5222-06-NNN-79	6 $\pm 1.0\text{dB}$	50	10	4000
CPL-5222-10-NNN-79	10 $\pm 1.0\text{dB}$	50	10	4000
CPL-5222-16-NNN-79	16 $\pm 1.0\text{dB}$	50	40	4000
CPL-5222-20-NNN-79	20 $\pm 1.0\text{dB}$	50	50	4000

MODEL NUMBER  
CPL-5222-XX-NNN-79  
REV.  
A1



BACKSIDE MARKING

UNLESS OTHERWISE NOTED DIMENSIONS ARE IN INCHES AND TOLERANCES ARE:

- 3 PLACE DECIMALS  $\pm .005$
- 2 PLACE DECIMALS  $\pm .02$
- FRACTIONS  $\pm 1/64$
- PARALLELITY: T.I.R. \_\_\_\_\_
- FLATNESS: T.I.R. \_\_\_\_\_
- CONCENTRICITY: T.I.R. \_\_\_\_\_
- ANGLES AND PERPENDICULARITY:  $\pm 1'$

FSCM NO. **34078** **MIDWEST MICROWAVE**

NOTICE: The information contained in this drawing is proprietary and must not be used without the permission of Midwest Microwave

TITLE  
DIRECTIONAL COUPLER

DRAWN/DATE  
J.VERNON  
8/7/97

ENG./DATE  
J.O'NEIL  
10/14/97

DRAWING NUMBER  
CPL-5222-XX-NNN-79

CHECKED/DATE

APPROVED/DATE

SCALE: 1=1 SHEET 1 of 1

REV.	DESCRIPTION	DATE
-	RELEASED	10/14/97
A	ECN 16439	1/20/98
A1	ADDED TITLEBLOCK	4/22/05