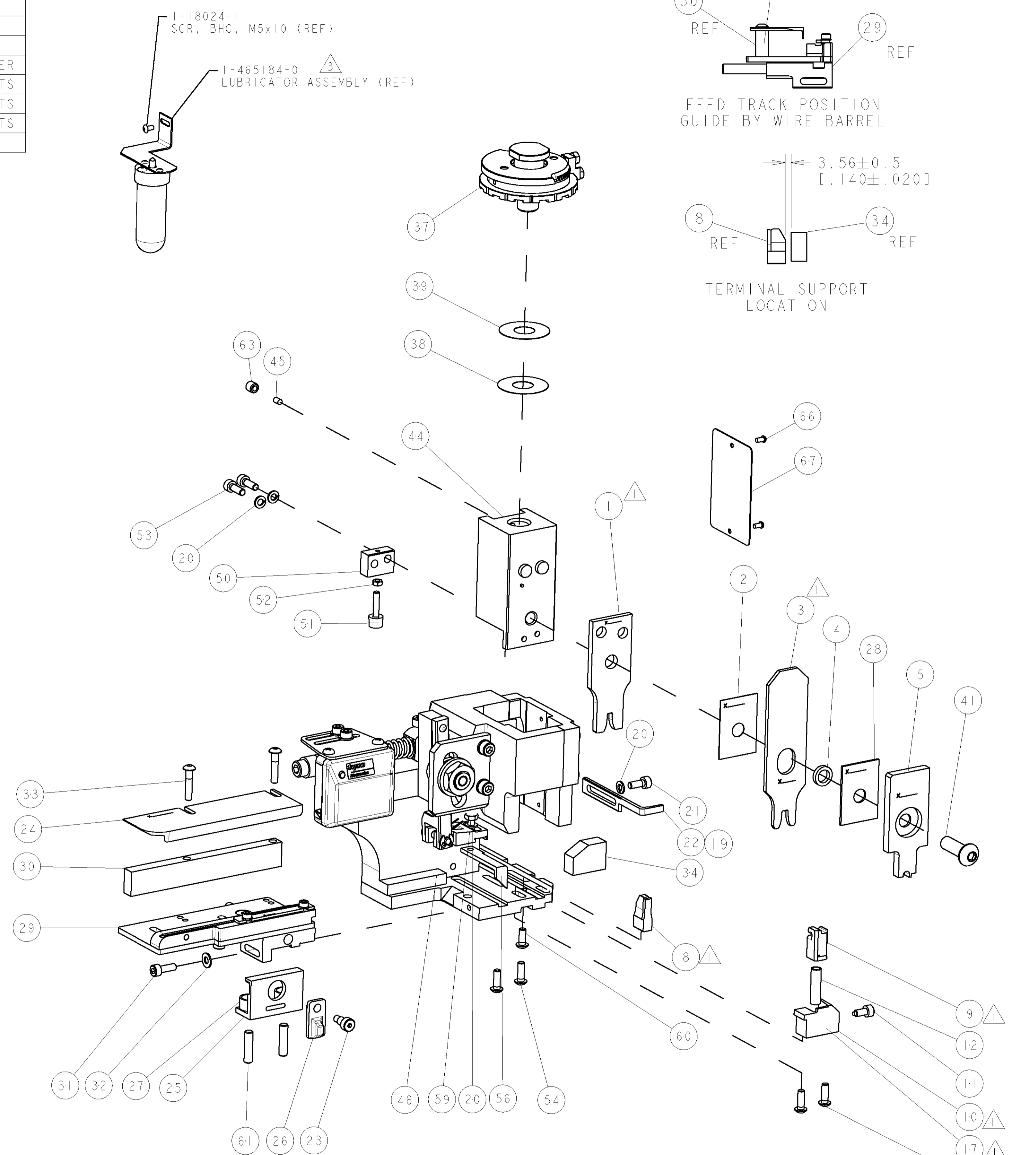


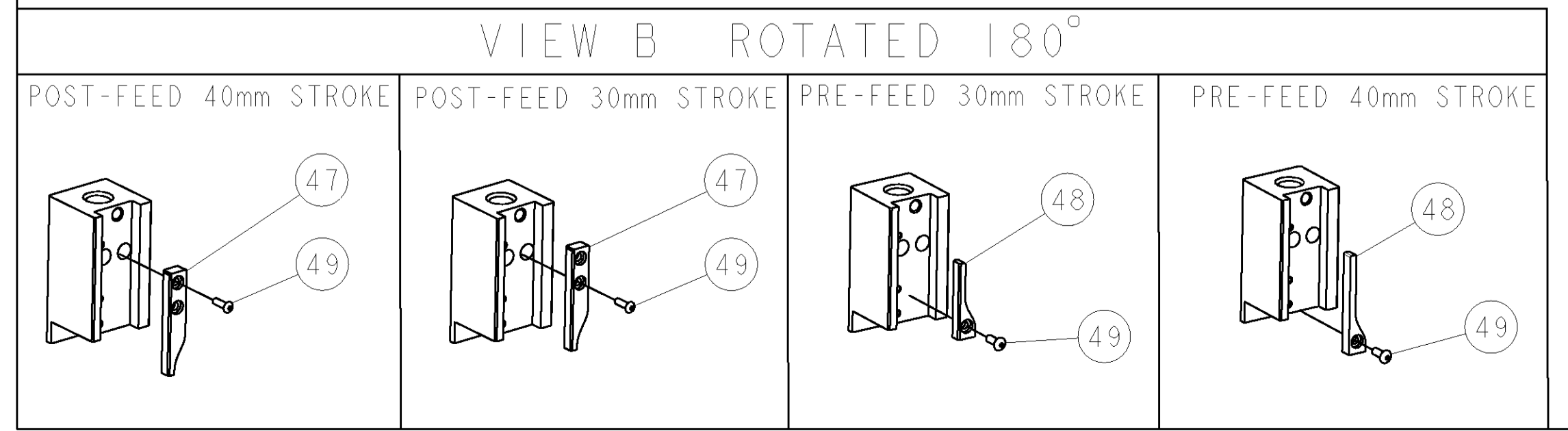
PART NUMBER	REV	TERMINATOR	FEED TYPE	DESCRIPTION
1528603-1	A	LEADMAKER	MECH POST FEED	CUTS CARRIER
1528603-2	A	BENCH	MECH PRE FEED	CUTS CARRIER
1528603-6	A	LEADMAKER	MECH POST FEED	CONTINUOUS CARRIER
7-1528603-1	A	LEADMAKER	MECH POST FEED	-1 AND SPARE PARTS
7-1528603-2	A	BENCH	MECH PRE FEED	-2 AND SPARE PARTS
7-1528603-6	A	LEADMAKER	MECH POST FEED	-6 AND SPARE PARTS
7-1528603-7	A	-	-	SPARE PARTS KIT

CRIMP DATA	GHW TERMINAL	GHW CRIMP SPEC
TERMINAL NAME: DFK 4 RECEPTACLE (TIMER TYPE)		
CRIMP	SIZE	TYPE
WIRE	3.56 [1.140 IN]	F
INSUL	4.57 [1.180 IN]	F
RANGE		
4.00mm ²		
WIRE STRIP LENGTH		
4.70-5.50 [1.185-.217]		
APPL INSTRUCTIONS		
408-8322 & 408-8490		
TERMINAL APPL SPEC	GHW DATA SHT	FEED
	26527	16.00 [1.630 IN]
TERMINALS APPLIED		
TYCO TERM PN	MANUF TERM PN	
1572916-1	26527.330.186	
WIRE SIZE	CRIMP HEIGHT	REF SETTING
4.00 mm ²	2.10 $\begin{matrix} +0.10 \\ -0.05 \end{matrix}$ [1.083 $\begin{matrix} +.004 \\ -.002 \end{matrix}$ IN]	D3

- △ RECOMMENDED SPARE PARTS.
- 2. GREASE RAM, CAM, CAM FOLLOWER AND FEED ROD LIGHTLY.
- △ CERTAIN TERMINALS REQUIRE LUBRICATION. REFER TO THE APPLICATOR INSTRUCTION SHEET FOR MORE INFORMATION.
- 4. LUBRICATE DAILY PER THE APPLICATOR INSTRUCTION SHEET SUPPLIED WITH THE APPLICATOR.
- △ ALL CRIMP DATA SUPPLIED BY THE TERMINAL MANUFACTURER.



* WARNING
ON INSTALLATION, SET WIRE DISC TO LARGEST WIRE SIZE SETTING. USE OF SETTINGS BELOW MIN. REQUIRED CRIMP HEIGHT SETTING WILL CAUSE DAMAGE TO CRIMP TOOLING.



-77	-76	-72	-71	-6	-2	-1	PART NO	DESCRIPTION	ITEM NO
-	-	-	-	-	-	-			84
-	-	-	-	-	-	-			83
-	-	-	-	-	-	-			82
-	-	-	-	-	-	-			81
-	-	-	-	-	-	-			80
-	-	-	-	-	-	-			79
-	-	-	-	-	-	-			78
-	-	-	-	-	-	-			77
-	-	-	-	-	-	-			76
-	-	-	-	-	-	-			75
-	-	-	-	-	-	-			74

SET UP GAGE 458637-3		LOC	DIST	REVISONS				DATE	DWN	APPR																															
P	LTR			DESCRIPTION																																					
A			66	SEE ECO-06-005213			08MAR2006	DP	MC																																
-	-	-	-	-	-	-	-	-	73																																
-	-	-	-	-	-	-	-	-	72																																
-	-	-	-	-	-	-	-	-	71																																
-	-	-	-	-	-	-	-	-	70																																
-	-	-	-	-	-	-	-	-	69																																
-	-	-	-	-	-	-	-	-	68																																
-	-	-	-	-	-	-	-	-	67																																
-	-	-	-	-	-	-	-	-	66																																
-	-	-	-	-	-	-	-	-	65																																
-	-	-	-	-	-	-	-	-	64																																
-	-	-	-	-	-	-	-	-	63																																
-	-	-	-	-	-	-	-	-	62																																
-	-	-	-	-	-	-	-	-	61																																
-	-	-	-	-	-	-	-	-	60																																
-	-	-	-	-	-	-	-	-	59																																
-	-	-	-	-	-	-	-	-	58																																
-	-	-	-	-	-	-	-	-	57																																
-	-	-	-	-	-	-	-	-	56																																
-	-	-	-	-	-	-	-	-	55																																
-	-	-	-	-	-	-	-	-	54																																
-	-	-	-	-	-	-	-	-	53																																
-	-	-	-	-	-	-	-	-	52																																
-	-	-	-	-	-	-	-	-	51																																
-	-	-	-	-	-	-	-	-	50																																
-	-	-	-	-	-	-	-	-	49																																
-	-	-	-	-	-	-	-	-	48																																
-	-	-	-	-	-	-	-	-	47																																
-	-	-	-	-	-	-	-	-	46																																
-	-	-	-	-	-	-	-	-	45																																
-	-	-	-	-	-	-	-	-	44																																
-	-	-	-	-	-	-	-	-	43																																
-	-	-	-	-	-	-	-	-	42																																
-	-	-	-	-	-	-	-	-	41																																
-	-	-	-	-	-	-	-	-	40																																
-	-	-	-	-	-	-	-	-	39																																
-	-	-	-	-	-	-	-	-	38																																
-	-	-	-	-	-	-	-	-	37																																
-	-	-	-	-	-	-	-	-	36																																
-	-	-	-	-	-	-	-	-	35																																
-	-	-	-	-	-	-	-	-	34																																
-	-	-	-	-	-	-	-	-	33																																
-	-	-	-	-	-	-	-	-	32																																
-	-	-	-	-	-	-	-	-	31																																
-	-	-	-	-	-	-	-	-	30																																
-	-	-	-	-	-	-	-	-	29																																
-	-	-	-	-	-	-	-	-	28																																
-	-	-	-	-	-	-	-	-	27																																
-	-	-	-	-	-	-	-	-	26																																
-	-	-	-	-	-	-	-	-	25																																
-	-	-	-	-	-	-	-	-	24																																
-	-	-	-	-	-	-	-	-	23																																
-	-	-	-	-	-	-	-	-	22																																
-	-	-	-	-	-	-	-	-	21																																
-	-	-	-	-	-	-	-	-	20																																
-	-	-	-	-	-	-	-	-	19																																
-	-	-	-	-	-	-	-	-	18																																
-	-	-	-	-	-	-	-	-	17																																
-	-	-	-	-	-	-	-	-	16																																
-	-	-	-	-	-	-	-	-	15																																
-	-	-	-	-	-	-	-	-	14																																
-	-	-	-	-	-	-	-	-	13																																
-	-	-	-	-	-	-	-	-	12																																
-	-	-	-	-	-	-	-	-	11																																
-	-	-	-	-	-	-	-	-	10																																
-	-	-	-	-	-	-	-	-	9																																
-	-	-	-	-	-	-	-	-	8																																
-	-	-	-	-	-	-	-	-	7																																
-	-	-	-	-	-	-	-	-	6																																
-	-	-	-	-	-	-	-	-	5																																
-	-	-	-	-	-	-	-	-	4																																
-	-	-	-	-	-	-	-	-	3																																
-	-	-	-	-	-	-	-	-	2																																
-	-	-	-	-	-	-	-	-	1																																
-77	-76	-72	-71	-6	-2	-1	PART NO	DESCRIPTION	ITEM NO																																
<table border="1"> <tr> <td colspan="2">DIMENSIONS:</td> <td colspan="2">TOLERANCES UNLESS OTHERWISE SPECIFIED:</td> </tr> <tr> <td>mm [IN]</td> <td></td> <td>0 PLC</td> <td>±</td> </tr> <tr> <td></td> <td></td> <td>1 PLC</td> <td>±</td> </tr> <tr> <td></td> <td></td> <td>2 PLC</td> <td>±</td> </tr> <tr> <td></td> <td></td> <td>3 PLC</td> <td>±</td> </tr> <tr> <td></td> <td></td> <td>4 PLC</td> <td>±</td> </tr> <tr> <td></td> <td></td> <td>ANGLES</td> <td>±</td> </tr> <tr> <td colspan="2">MATERIAL:</td> <td colspan="2">FINISH:</td> </tr> </table>										DIMENSIONS:		TOLERANCES UNLESS OTHERWISE SPECIFIED:		mm [IN]		0 PLC	±			1 PLC	±			2 PLC	±			3 PLC	±			4 PLC	±			ANGLES	±	MATERIAL:		FINISH:	
DIMENSIONS:		TOLERANCES UNLESS OTHERWISE SPECIFIED:																																							
mm [IN]		0 PLC	±																																						
		1 PLC	±																																						
		2 PLC	±																																						
		3 PLC	±																																						
		4 PLC	±																																						
		ANGLES	±																																						
MATERIAL:		FINISH:																																							
CUSTOMER DRAWING		SCALE 3:5		SHEET 1 OF 1		REV A																																			