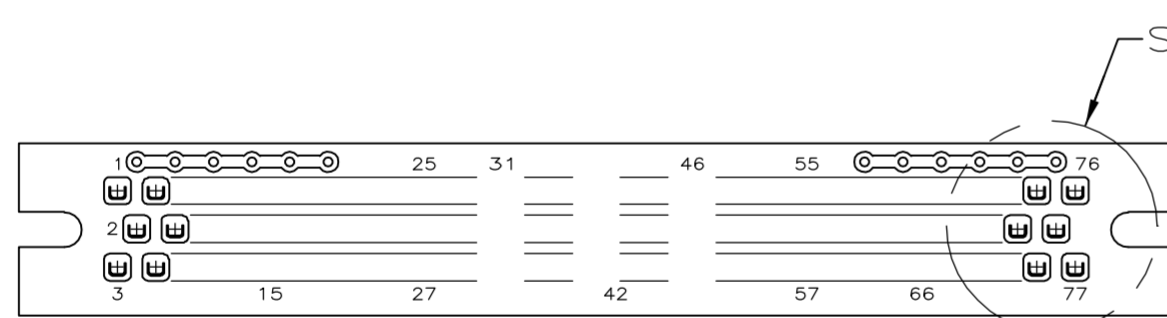
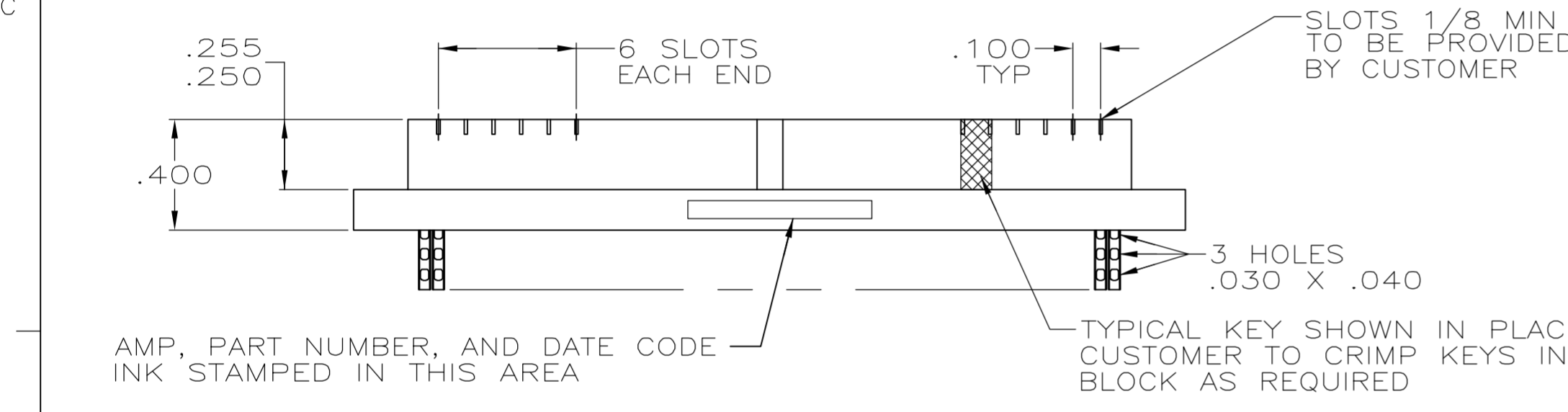
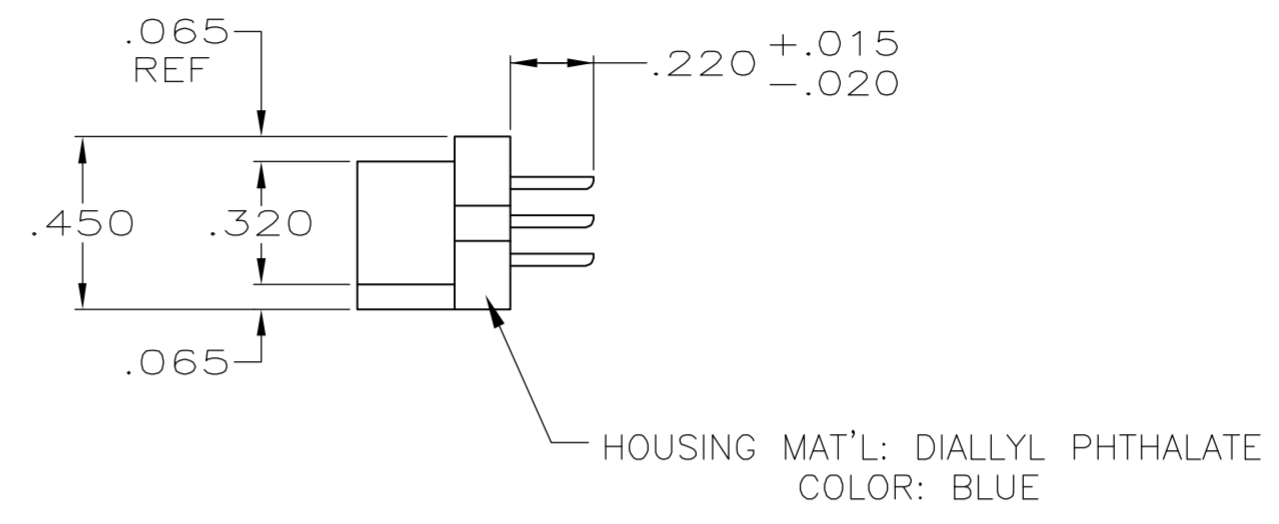
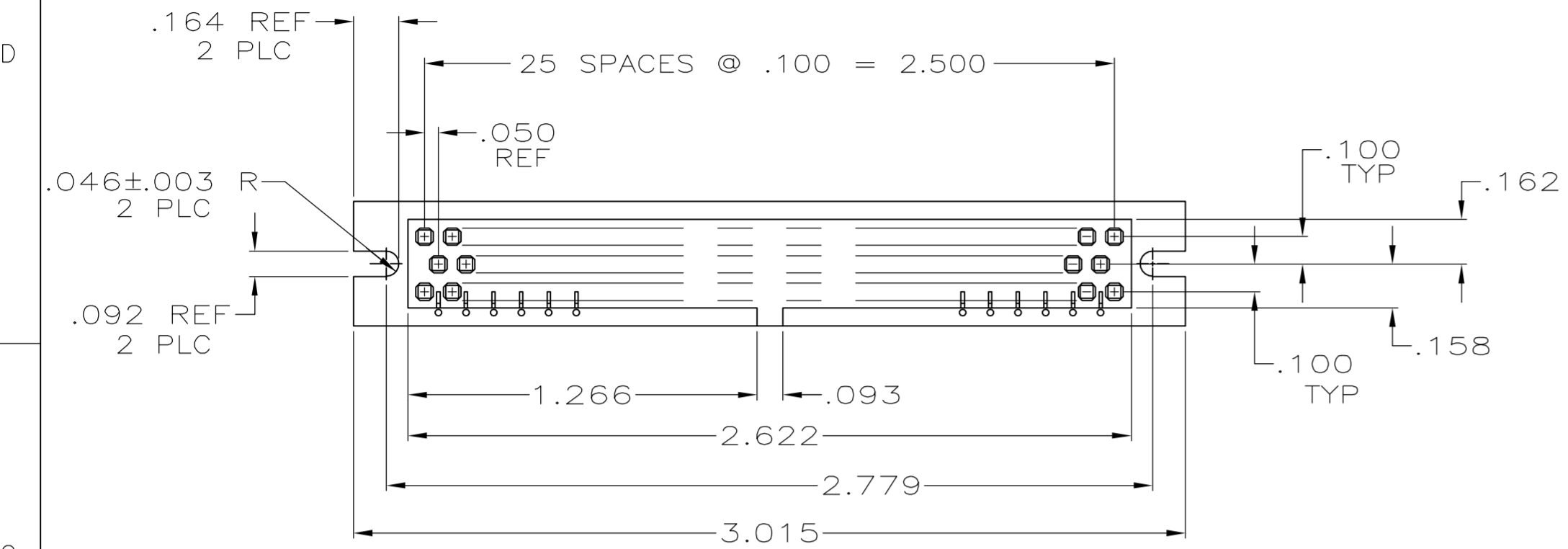
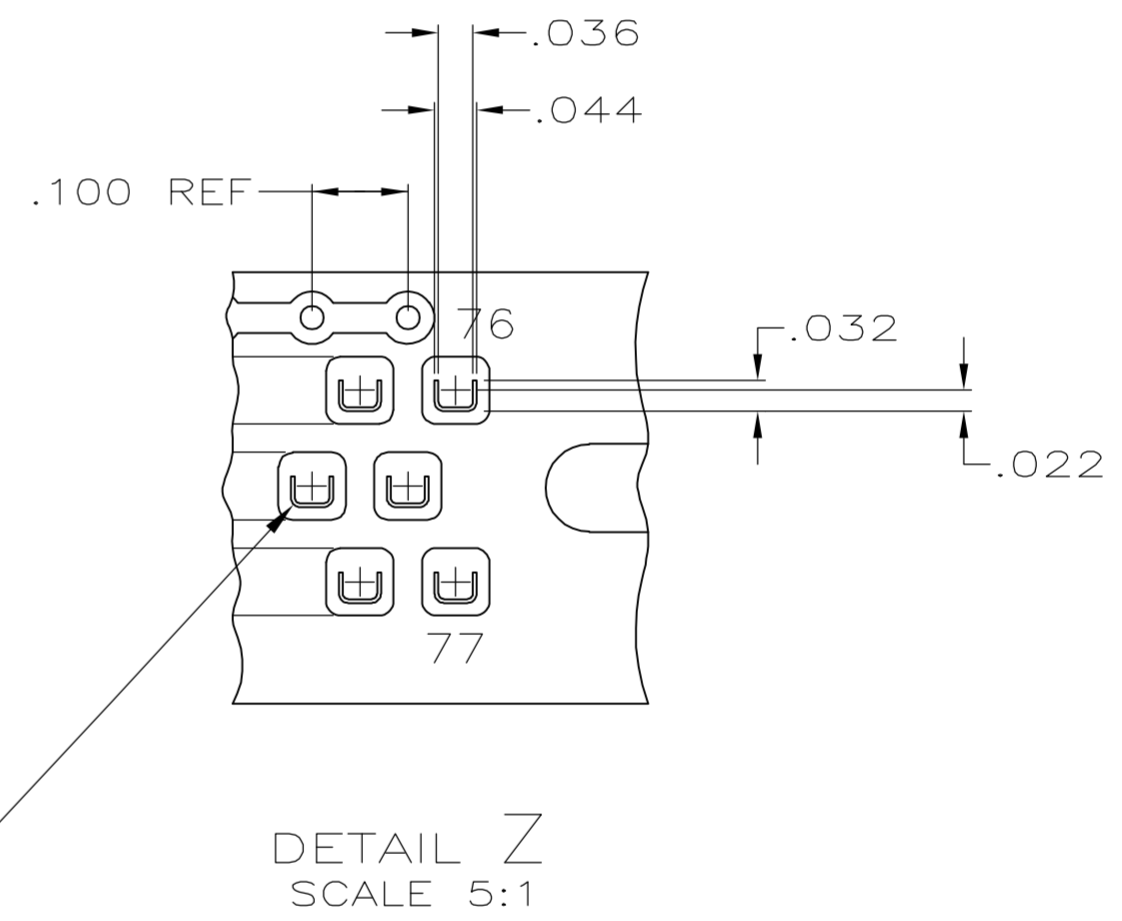


THIS DRAWING IS UNPUBLISHED. RELEASED FOR PUBLICATION  
 © COPYRIGHT BY TYCO ELECTRONICS CORPORATION. ALL RIGHTS RESERVED.

LOC		DIST		REVISIONS			
P	LTR	DESCRIPTION		DATE	DWN	APVD	
DF	F0	A	REV PER ECO	05-013554	16NOV05	VF CT	



SOLDERING TABS  
 MAT'L: BERYLLIUM COPPER (BeCu) OR  
 COPPER-NICKEL-SILICON (CuNiSi)  
 FINISH: PLATED GOLD .000050 THK  
 IN CONTACT AREA, TIN LEAD  
 OVER NICKEL IN TAIL AREA



1. MEETS ALL APPLICABLE REQUIREMENTS OF MIL-C-55302.

77	445398-1
NO OF POSN	PART NUMBER

THIS DRAWING IS A CONTROLLED DOCUMENT.		DWN V. FURLER 16NOV05	Tyco Electronics Corporation Harrisburg, PA 17105-3608
DIMENSIONS: INCHES		CHK C. THOMAS 16NOV05	
TOLERANCES UNLESS OTHERWISE SPECIFIED:		APVD C. THOMAS 16NOV05	
0 PLC ± - 1 PLC ± - 2 PLC ± - 3 PLC ± .005 4 PLC ± - ANGLES ± - FINISH SEE CALLOUTS		NAME C. THOMAS	
MATERIAL SEE CALLOUTS		PRODUCT SPEC	RECEPTACLE ASSEMBLY, 1000 SERIES BOX, 3 ROW STAGGERED, WITH POLARIZATION BAR AND
SEE CALLOUTS		APPLICATION SPEC	RESTRICTED TO
CUSTOMER DRAWING		WEIGHT -	SIZE A2
		SCALE 2:1	CAGE CODE 00779
		SHEET 1 of 1	DRAWING NO C=445398
		REV A	