

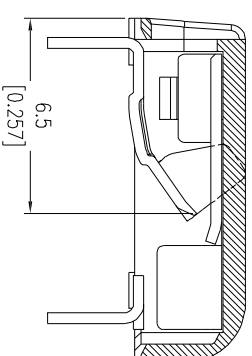
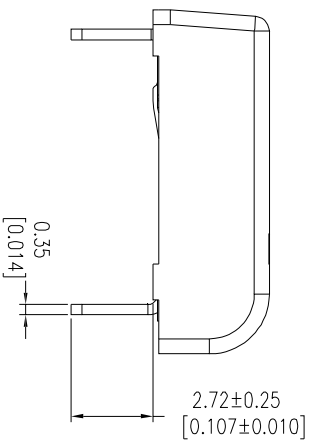
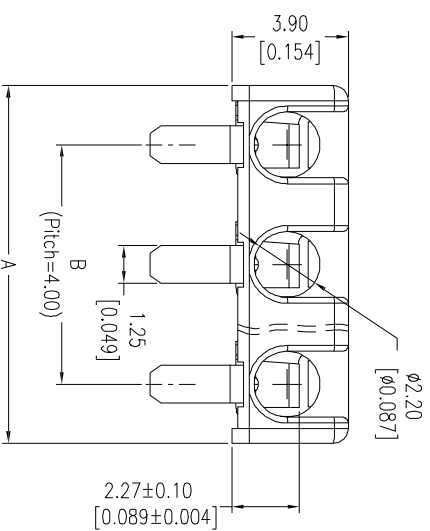
① Notes:
 Rated current: 3~9AMP
 Contact resistance: 20M Ω max.
 Withstand voltage: 500V AC
 Insulation resistance: 1000M Ω min.
 Operation temperature: -40°C to +105°C
 Solder Temperature: 260°C, 5s
 Application Wire Range:
 Solid Wire: AWG20~AWG18
 Strand Wire: AWG20~AWG18

Contact material: Phosphor Bronze (C5191)
 Contact plating: 100~200u" Sn over 50u" Ni
 Insulator material: LCP+30%GF UL 94 V-0

AWBR-400-xx-Rx1

T = Tube
 R = T&R

PIN COUNT



3	11.95	8.00
2	7.90	4.00
1	3.95	/
PIN	A	B

RoHS compliant
 Unit: mm

File No.: E198287

Scale	Free
TOLERANCE	
X	± 0.40
.XX	± 0.25
.XXX	± 0.15
DIM	TOL
Angle	$\pm 1.5^\circ$

Id.	Modification	Date	Name
②	Add the File No.	27.07.2017	Winnie
①	Update note	25.07.2016	Ray
①	Drawn	25.07.2016	Ray

Date	Name
Drawn 25.07.2016	Ray
Approved 27.07.2017	Winnie

Customer-No.	ASSMANN WSW-No.	Drawing-No.	Replace
	AWBR-400-xx-Rx1	ASS 7333 CO	rev02
			Sheet