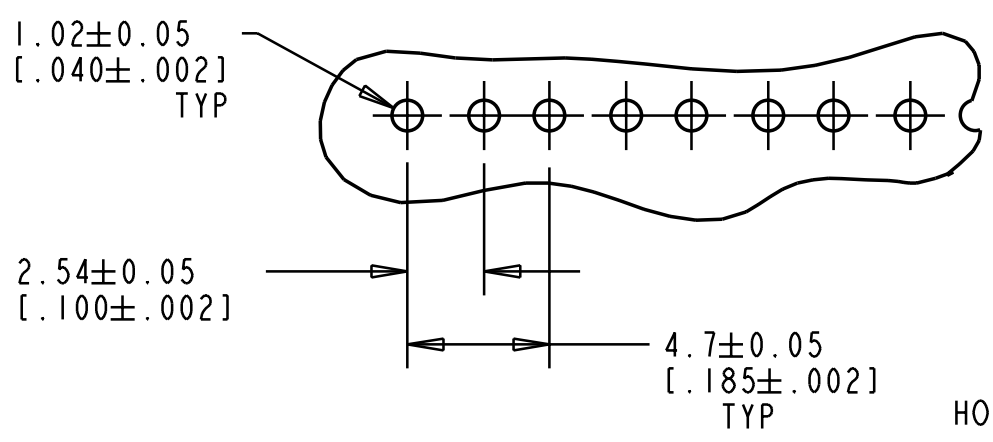
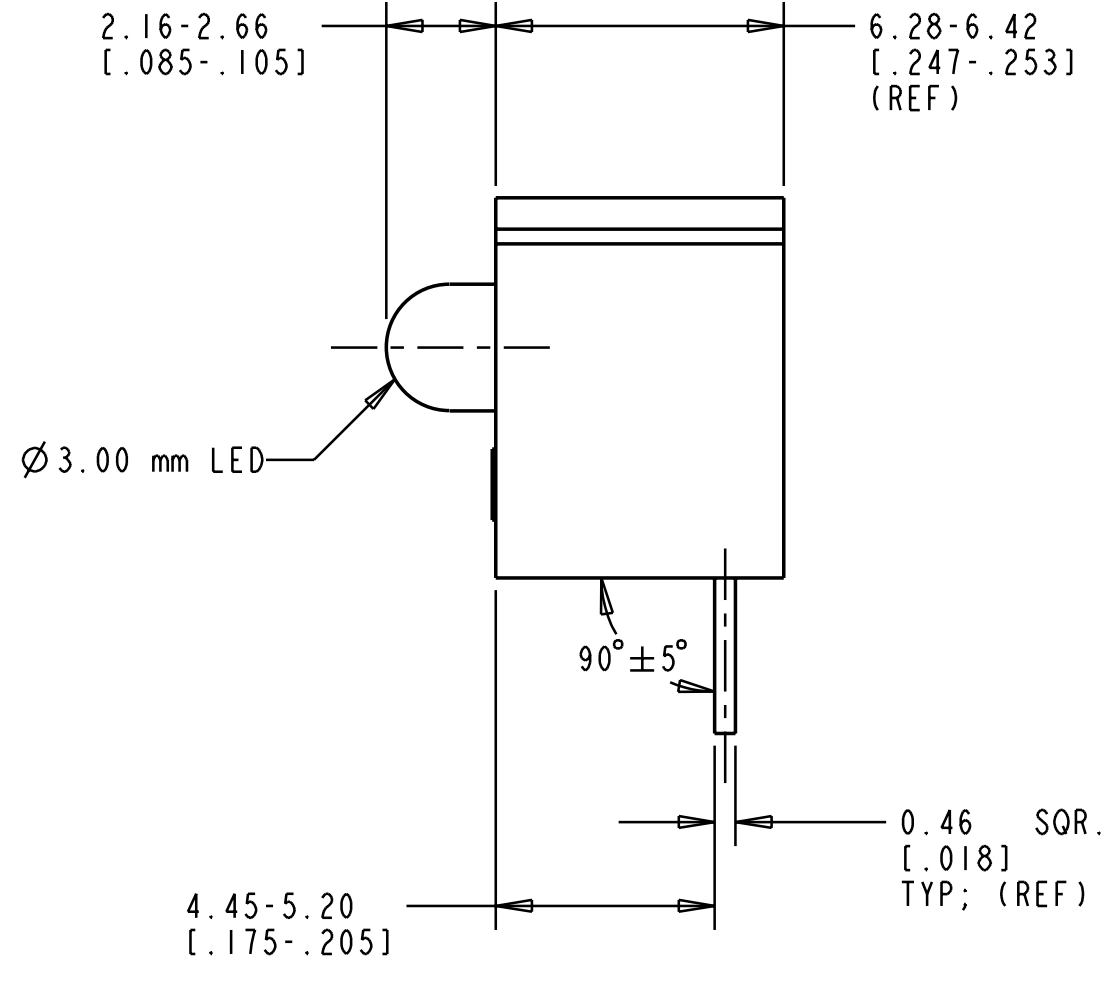
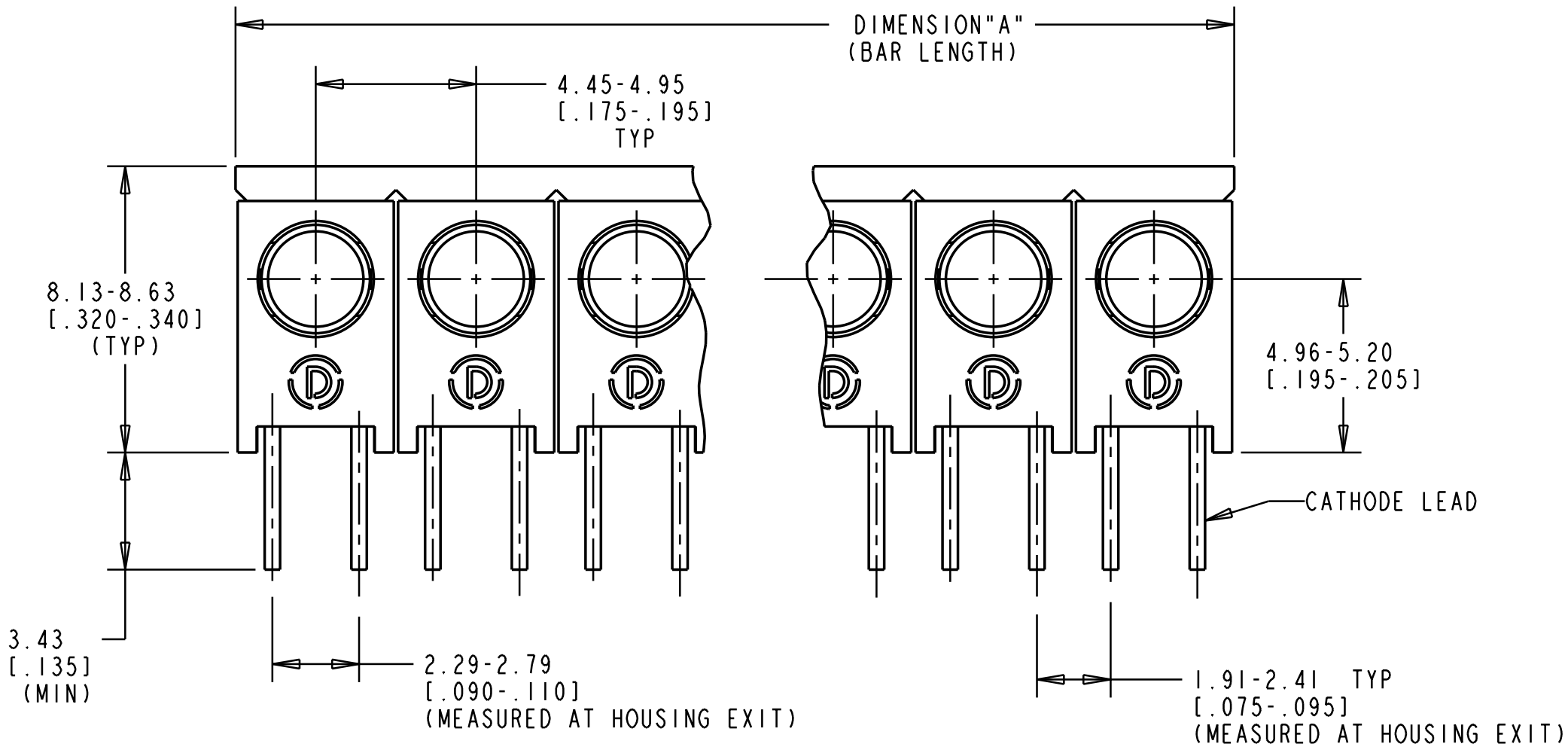


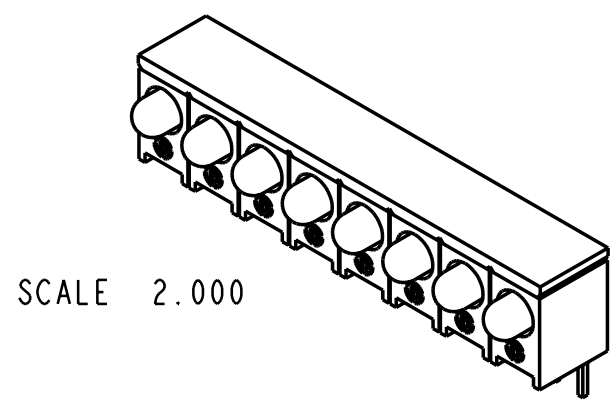
| DIALIGHT PART NUMBER | NUMBER OF POSITIONS | DIMENSION "A" (BAR LENGTH) METRIC, (INCHES) | OPERATING CHARACTERISTICS @ T _A = 25°C | | | | | | | | |
|----------------------|---------------------|---|---|---------------|---------------------|-------------------------------|-------------------------------|----------------------|--------------------------|------------------------|------------------------|
| | | | COLOR | VIEWING ANGLE | FORWARD VOLTAGE (V) | | REVERSE VOLTAGE | PEAK WAVELENGTH (nm) | LUMINOUS INTENSITY (mcd) | | TEST CONDITIONS |
| | | | | | TYP | MAX | | | TYP | MIN | |
| HLMP-1503-102 | 2 | 8.76-9.65, [.346-.380] | GREEN | 60° | 2.1 | 2.7 | 5 V @ I _R = 100 μA | 565 | 2.6 | 7.0 | I _F = 10 mA |
| HLMP-1503-103 | 3 | 13.36-14.22, [.526-.560] | | | | | | | | | |
| HLMP-1503-104 | 4 | 18.54-19.02, [.730-.749] | | | | | | | | | |
| HLMP-1503-108 | 8 | 37.39-37.72, [1.472-1.485] | | | | | | | | | |
| HLMP-1521-104 | 4 | 18.54-19.02, [.730-.749] | | | | | | | | | |
| HLMP-1523-102 | 2 | 8.76-9.65, [.346-.380] | | | | | | | | | |
| HLMP-1523-104 | 4 | 18.54-19.02, [.730-.749] | | | | | | | | | |
| HLMP-1523-105 | 5 | 23.27-23.72, [.916-.934] | | | | | | | | | |
| HLMP-1585-104 | 4 | 18.54-19.02, [.730-.749] | 60° | 2.1 | 2.7 | 5 V @ I _R = 100 μA | 565 | 2.6 | 7.0 | I _F = 10 mA | |
| HLMP-1585-107 | 7 | 32.64-33.15, [1.285-1.305] | | | | | | | | | |

| ABSOLUTE MAXIMUM RATINGS AT 25°C AMBIENT | | | |
|--|-------------------------------|-----------------|-----------------|
| | HLMP-1503-1XX & HLMP-1523-1XX | HLMP-1521-104 | HLMP-1585-1XX |
| LINEAR DERATION FROM 25°C | — | 1.8 mW/°C | 1.8 mW/°C |
| LINEAR DERATION FROM 50°C | 0.5 mA/°C | — | — |
| D.C. FORWARD CURRENT | 30 mA | 30 mA | 25 mA |
| OPERATING TEMPERATURE | -20°C TO 100°C | -20°C TO 100°C | -20°C TO 100°C |
| STORAGE TEMPERATURE | -55°C TO 100°C | -55°C TO 100°C | -55°C TO 100°C |
| LEAD SOLDERING TEMPERATURE | 260°C FOR 5 SEC | 260°C FOR 5 SEC | 260°C FOR 5 SEC |



HOLES LAYOUT

DIMENSIONS:
mm
[inches]



| REV. | ECN NO. | REVISIONS | DRN. | CKD. | APP. | DATE |
|------|---------|--|------|------|------|---------|
| A | — | NEW RELEASE | M.C. | D.C. | N.O. | 3-12-99 |
| B | — | REMOVED P/N'S HLMP-1520-102 & -106, & REVISED REMAINING ELECTRO/OPTICAL SPECS. & 90° ±5° WAS 90° ±10°. | M.C. | | | |

| | | |
|---|----------------------------|---|
| THIS DRAWING AND THE CONTENTS HEREIN ARE CONFIDENTIAL AND THE SOLE PROPERTY OF DIALIGHT. REPRODUCTION OF THIS DRAWING OR CONSTRUCTION OF ANY PARTS WITHIN THIS DRAWING ARE FORBIDDEN WITHOUT THE WRITTEN CONSENT OF DIALIGHT. | | |
| SCALE 4:1 | DRAWING NUMBER | REV |
| ALL DIM'S IN: INCHES | C-16498 | B |
| TOLERANCES: UNLESS OTHERWISE SPECIFIED | TITLE | |
| FRACTIONS: ±1/64 | Ø 3.00 mm CBI ARRAY, GREEN | |
| DECIMALS (.XX): ±.01 | MATERIAL | |
| DECIMALS (.XXX): ±.005 | | |
| DECIMALS (.XXXX): ±.0005 | | |
| ANGLES: ±1° | | |
| FINISH: | Dialight | 1913 ATLANTIC AVE. MANASQUAN, N.J. 08736 |
| FSCM 83330 | SHEET OF | FAMILY TABLES: |