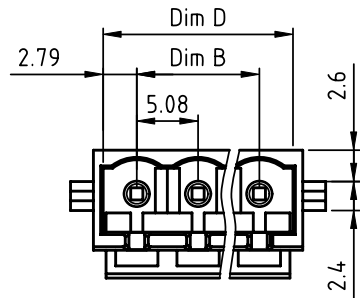


PRODUCT NUMBER	PITCH
KVxx50x300J0G	5.08 mm

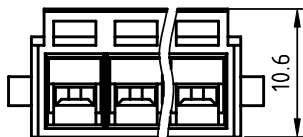
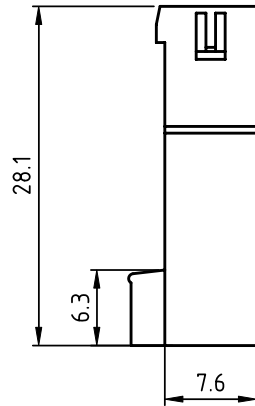
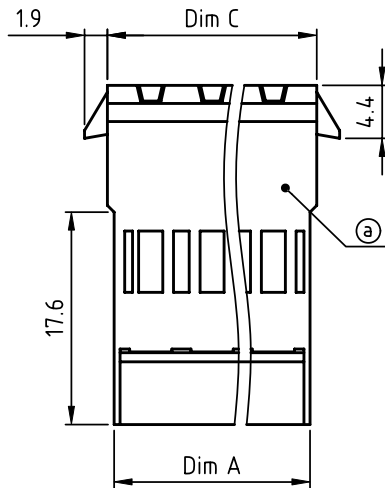


N = Number of poles  
 Dim A =  $N \times 5.08 + 1.0$   
 Dim B =  $(N - 1) \times 5.08$   
 Dim C =  $N \times 5.08 + 2.1$   
 Dim D =  $(N - 1) \times 5.08 + 5.58$

Poles	Dim A	Dim B	Dim C	Dim D
2-6p	$\pm 0.10$	$\pm 0.15$	$\pm 0.15$	$\pm 0.15$
7-12p	$\pm 0.20$	$\pm 0.20$	$\pm 0.20$	$\pm 0.20$
13-16p	$\pm 0.30$	$\pm 0.25$	$\pm 0.25$	$\pm 0.25$
17-24p	$\pm 0.40$	$\pm 0.35$	$\pm 0.35$	$\pm 0.35$

PART NO.: KV xx 50 x 3 00J0 G

- |              |   |                   |                 |
|--------------|---|-------------------|-----------------|
| Solid block  | 0 | Color             | RoHS compliant  |
| No. of poles | 2 | Black (RAL9005)   | (lead<4%)       |
| 02 2 poles   | 3 | Red (RAL3001/D)   | In copper Alloy |
| 03 3 poles   | 4 | Orange(RAL2011/P) |                 |
| ...          | 5 | Yellow(RAL1018/A) |                 |
| 24 24 poles  | 6 | Green(RAL6018/T)  |                 |
|              | 8 | Blue (RAL5015/A)  |                 |
|              | 9 | Grey(RAL7035/D)   |                 |
|              | C | White(RAL1102)    |                 |
|              |   | Green(RAL6018/U)  |                 |



Material:

- Item@ Terminal housing: Thermoplastic (UL94 V-0)

Electrical

- Voltage rating: 300V
- Current rating: 10A
- Wire range: 1.5-2.5mm<sup>2</sup>
- Withstanding Voltage: 1.6KV
- Corresponding female crimp contacts: AR 5.08 series

mat'l. code		surface ASME Y14.5	tolerance ASME Y14.5	projection	product family
ltr ecn no dr date		tolerances unless otherwise specified			TERMINAL BLOCK
		angles	X.±0.5	MM	title
		X*±1°	X.X±0.3	scale	TERMINAL BLOCK
		dr	X.XX±0.1		PLUGGABLE PLUG, WITH HOOK, CRIMP CONNECTION, HIGH PROFILE
		enr	EVIN ZHONG 050414		dwg no
		chr	HANKE FENG 050414		sheet 1 of 1
		appd	SHI JUN 050414		size
sheet index		revision sheet	A 1		A4
					type
					CUSTOMER Drawing