

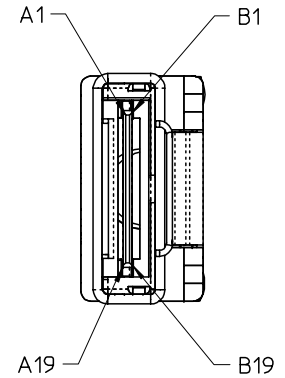
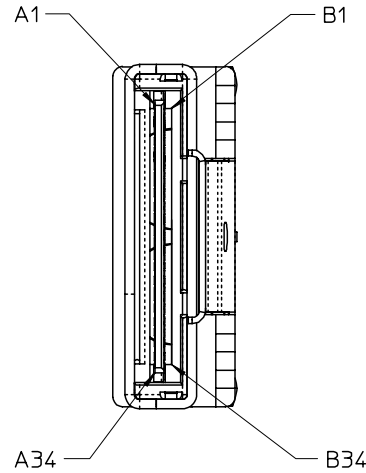
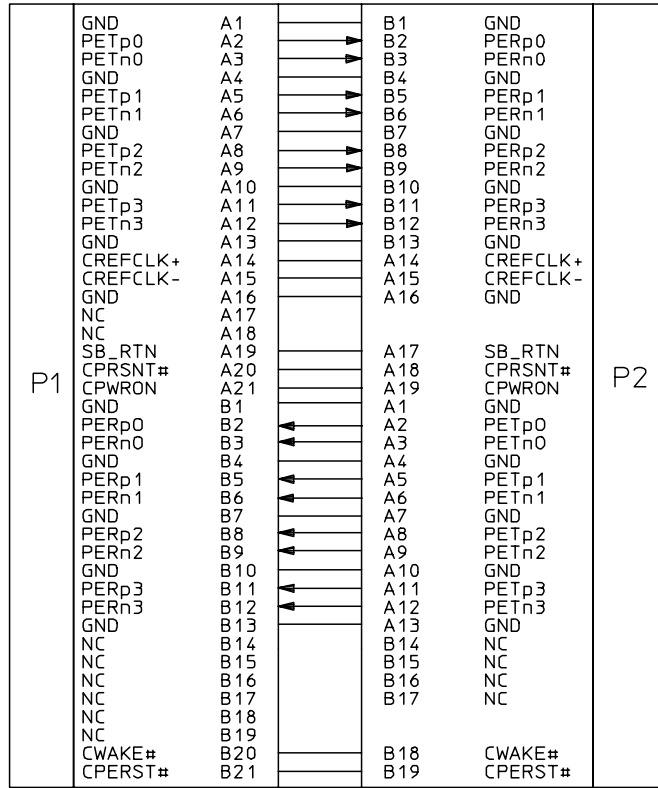
LENGTH	
74546-4080	0.5M
74546-4081	1M
74546-4082	2M
74546-4083	3M
74546-4084	4M
74546-4085	5M
74546-4086	6M
74546-4087	7M

- NOTES:
- MATERIAL =
BACKSHELL - ZINC DIECAST
PULL - NYLON
 - LENGTH= SEE TABLE
 - ELECTRICAL PERFORMANCE PER PCI EXPRESS
EXTERNAL CABLING SPEC, REV 1.0
 - X8 PLUG MATES TO RECEPTACLE 75586-0002,
AND EMI GUIDE HOUSING ASSY. 74540-0101
 - X4 PLUG MATES TO RECEPTACLE 75586-0010
AND EMI GUIDE HOUSING ASSY. 74540-0401.
 - THIS PRODUCT MEETS THE RESTRICTIONS OF HAZARDOUS SUBSTANCES
IN ELECTRICAL AND ELECTRONIC EQUIPMENT (RoHS) DIRECTIVE
(2002/95/EC).

IPASS™ IS A TRADEMARK OF MOLEX

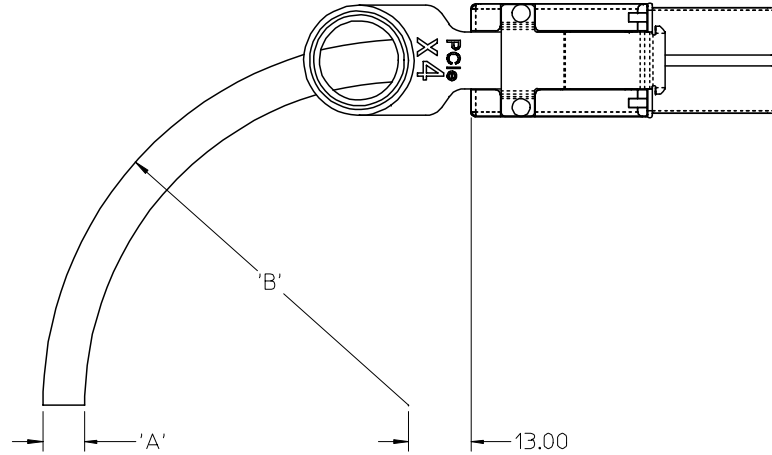
ENTER DESCRIPTION EC NO: USY2007-0450 DRW: JERWIN 2007/05/23 CHK: BREED 2007/06/01 APPR: DDOYE 2007/06/18 A	DESCRIPTION REV	QUALITY SYMBOLS ▽=0 ▽=0	GENERAL TOLERANCES (UNLESS SPECIFIED)		DIMENSION STYLE MM ONLY		SCALE 1:1	DESIGN UNITS METRIC	THIRD ANGLE PROJECTION	
			mm	INCH	DRAWN BY BAREED	DATE 2006/03/22	TITLE IPASS PCIE TRANSITION CABLE X4 - X8			
			4 PLACES ± ---	± ---	CHECKED BY DDOYE	DATE 2006/03/22				
			ANGULAR ±1/2°		APPROVED BY DDOYE		DATE 2006/03/22	MATERIAL NO. SEE TABLE		
DRAFT WHERE APPLICABLE MUST REMAIN WITHIN DIMENSIONS		MATERIAL NO. SEE TABLE		DOCUMENT NO. SD-74546-408		SHEET NO. 1 OF 3				

THIS DRAWING CONTAINS INFORMATION THAT IS PROPRIETARY TO MOLEX INCORPORATED AND SHOULD NOT BE USED WITHOUT WRITTEN PERMISSION



IPASS IS™ A TRADEMARK OF MOLEX

ENTER DESCRIPTION EC NO: USY2007-0450 DRWN: JERMIN 2007/05/23 CHKD: BREED 2007/06/01 APPR: DDOYE 2007/06/18	QUALITY SYMBOLS ▽=0 ▽=0	GENERAL TOLERANCES (UNLESS SPECIFIED)		DIMENSION STYLE MM ONLY	SCALE 1:1	DESIGN UNITS METRIC	THIRD ANGLE PROJECTION
		4 PLACES ± --- ± ---	DRAWN BY BAREED	DATE 2006/03/22	TITLE IPASS PCIE TRANSITION CABLE X4 - X8		
		3 PLACES ± --- ± ---	CHECKED BY DDOYE	DATE 2006/03/22			
		2 PLACES ± 0.13 ± --- 1 PLACE ± 0.25 ± --- ANGULAR ±1/2°	APPROVED BY DDOYE	DATE 2006/03/22	MOLEX INCORPORATED		
DRAFT WHERE APPLICABLE MUST REMAIN WITHIN DIMENSIONS	MATERIAL NO. SEE CHART	DOCUMENT NO. SD-74546-408	SHEET NO. 2 OF 3		THIS DRAWING CONTAINS INFORMATION THAT IS PROPRIETARY TO MOLEX INCORPORATED AND SHOULD NOT BE USED WITHOUT WRITTEN PERMISSION		



CABLE GAUGE	24	26	28
A. CABLE DIAMETER	10.4	9.3	8.4
B. MINIMUM OUTER RADIUS	46.9	41.7	37.7
C. FACEPLATE TO OUTER RADIUS	102.2	97.0	93.0

IPASS™ IS A TRADEMARK OF MOLEX

ENTER DESCRIPTION EC NO: USY2007-0450 DRWN: JERWIN 2007/05/23 CHKD: BREED 2007/06/01 APPR: DDOYE 2007/06/18	DESCRIPTION REV A	QUALITY SYMBOLS ▽=0 ▽=0	GENERAL TOLERANCES (UNLESS SPECIFIED)		DIMENSION STYLE MM ONLY	SCALE 1:1	DESIGN UNITS METRIC	THIRD ANGLE PROJECTION
		4 PLACES ± --- ± --- 3 PLACES ± --- ± --- 2 PLACES ± 0.13 ± --- 1 PLACE ± 0.25 ± ---	mm INCH DRAWN BY BAREED DATE 2006/03/22 CHECKED BY DDOYE DATE 2006/03/22 APPROVED BY DDOYE DATE 2006/03/22	TITLE IPASS PCIE TRANSITION CABLE X4 - X8				
		ANGULAR ±1/2°	MATERIAL NO. SEE TABLE DOCUMENT NO. SD-74546-408	MOLEX INCORPORATED				
		DRAFT WHERE APPLICABLE MUST REMAIN WITHIN DIMENSIONS	SIZE B THIS DRAWING CONTAINS INFORMATION THAT IS PROPRIETARY TO MOLEX INCORPORATED AND SHOULD NOT BE USED WITHOUT WRITTEN PERMISSION	SHEET NO. 3 OF 3				