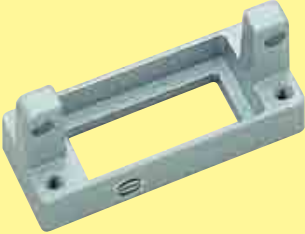
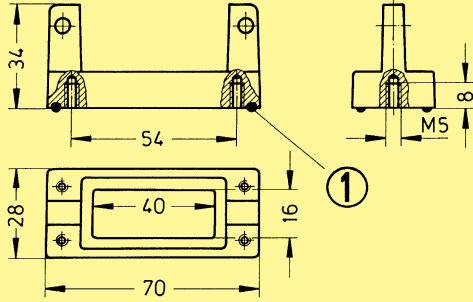
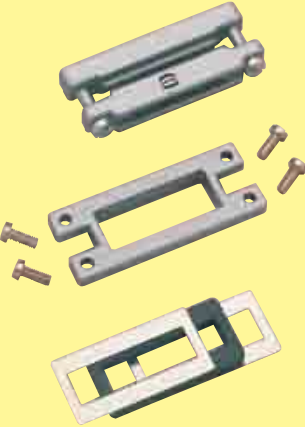
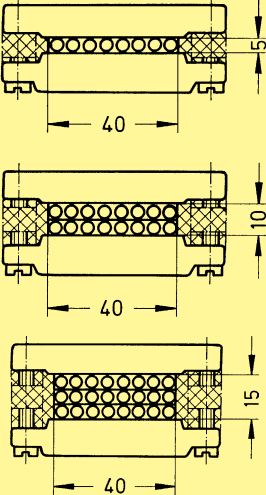

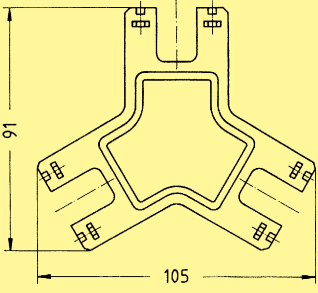
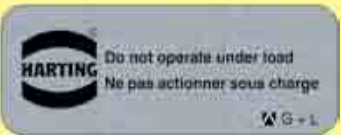


Identification	Part number	Drawing	Dimensions in mm
<p>Bracket for flat cable for separate mounting</p> 	<p>09 00 000 5325</p>	 <p>① O-Ring seal</p>	
<p>Set of seals with strain relief clamp</p> 	<p>09 00 000 5315 for 1 flat cable</p> <p>09 00 000 5316 for 2 flat cables</p> <p>09 00 000 5317 for 3 flat cables</p>		
<p>Frame for custom test adapters</p> <p>Mounting example</p> 	<p>09 38 000 9901</p>		
<p>Label according to CSA-approval</p> 	<p>09 30 000 9958</p>	<p>When supplying connectors for use at more than 30 V subject to CSA-approval we recommend that the label is fixed in close proximity to the installed connectors. Dimensions: 56 x 18 mm Part No. comprises 50 labels per sheet.</p>	

Accessories