

1 2 3 4 5 6

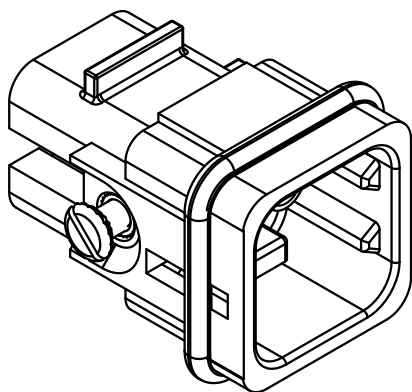
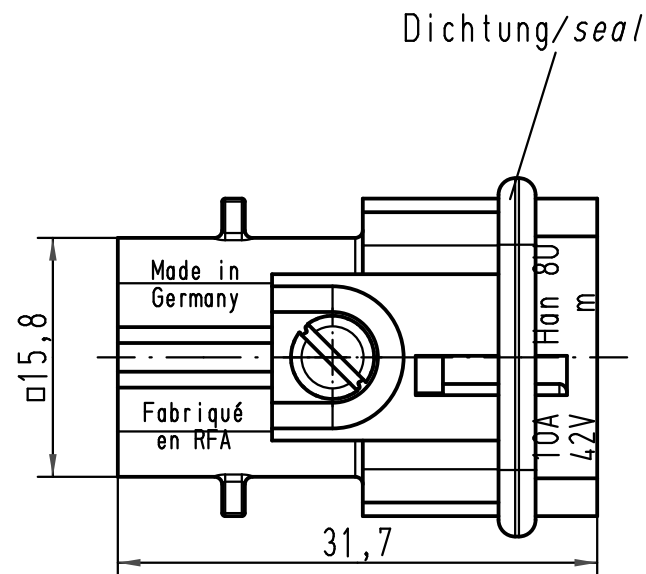
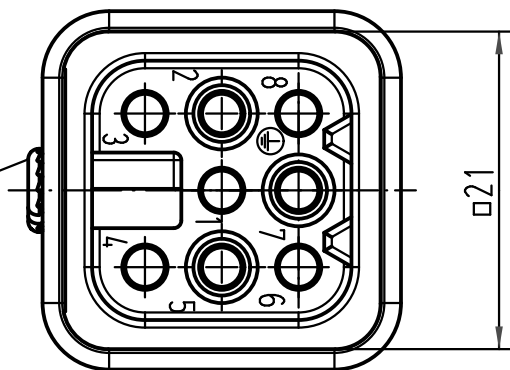
A

B

C

D

Befestigungsschraube
lose beigelegt
insert fixing screw
is enclosed



| | | | | | | | | | |
|---|----------|------|--------------------------------|-----------------|--------------------------|--|-------------------|--|------------|
| All Dimensions in mm Original Size DIN A 4 | | | Techn. Character. | | | Nicht tolerierte Maße/Free size tolerances | | | |
| | | | Dat. | Name | Maßstab/Scale 2:1 | Han 8D-M Stiftträger/ male insert | | | |
| | | | Detail. | 19.02.93 PENNER | | | | | |
| | | | Insp. | HERB | | | | | |
| | | | Stand. | | | | | | |
| 414050 | 04.08.08 | Rull | HARTING Electric GmbH & Co. KG | | | | TB 09 36 008 3001 | | Blatt/page |
| 412453 | 15.09.06 | Ho | D-32339 Espelkamp | | | | | | |
| 410629 | 28.11.03 | ML | | | | | | | |
| Mod. | Dat. | Name | | | | Sub. TB 09 36 008 3001 v. 29.10.84 | | | |