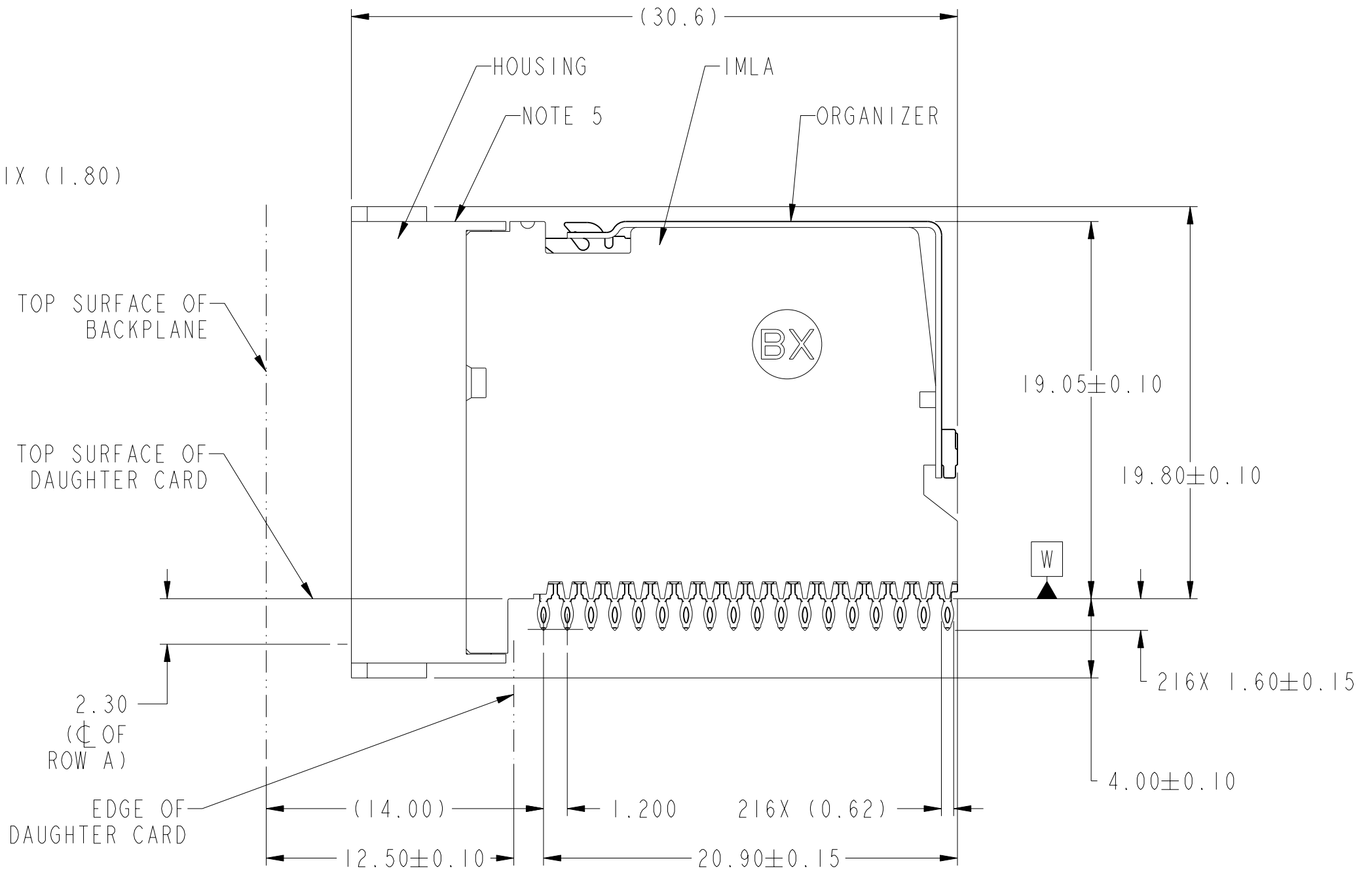
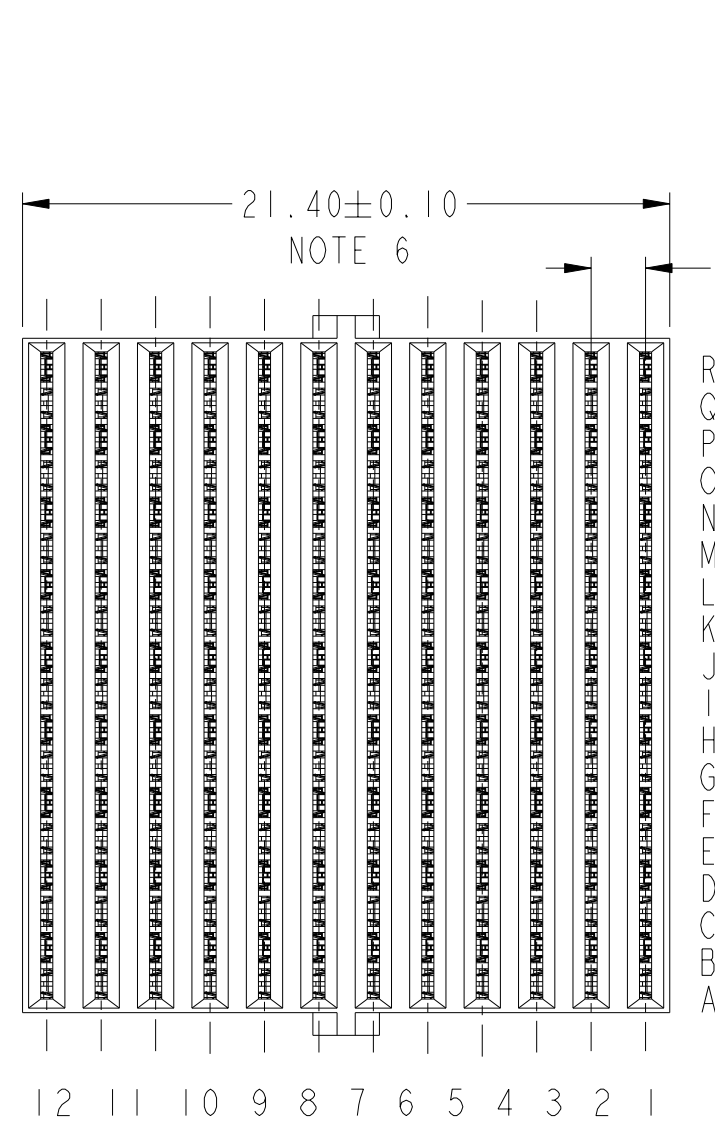


PRODUCT NUMBER
SEE SHEET 3



Copyright FCI.

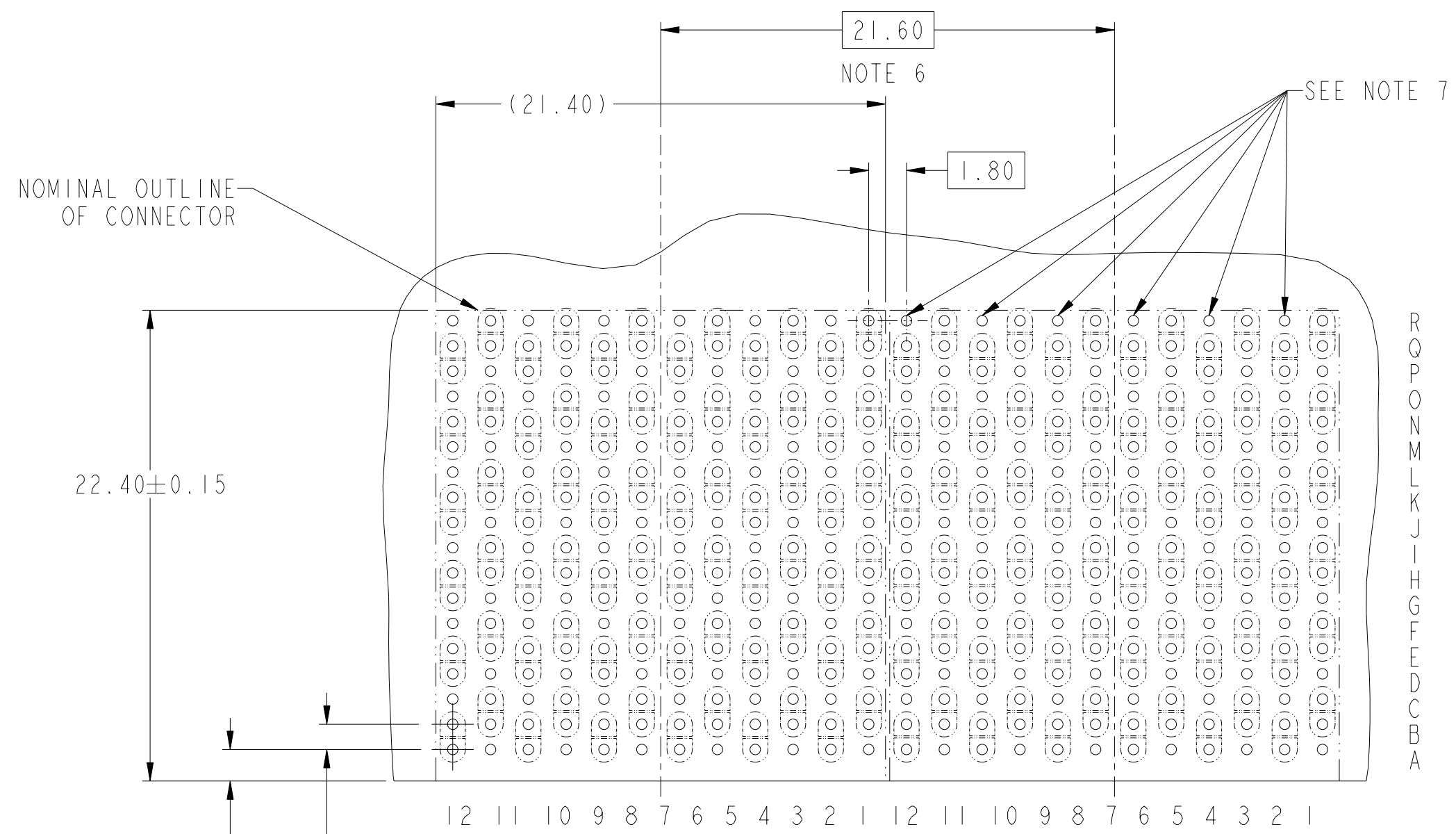
rev	ecn no	dr	date
A	V08-0449	MRG	2008-10-15
-	-	-	-
-	-	-	-
-	-	-	-
-	-	-	-

www.fciconnect.com			surface - ✓	tolerance std	projection	MM
			TOLERANCES UNLESS OTHERWISE SPECIFIED			
Dr	M. GRAY	2008-10-15	ANGULAR	LINEAR	0.X	±
Eng	M. GRAY	2008-10-15			0.XX	±
Chr	R. JOHNSON	2008-10-15	0°	±°	0.XXX	±
Appr	M. GRAY	2008-10-15	Product family		ZipLine	Spec ref
FCI			Title		ZipLine R/A REC ASSY	
			Part		6 PR, 12 IMLA, 1.8MM PITCH, 21.6MM, HP SPECIAL	
			Catalog no		-	
			Dwg no		10088322	
			Customer		CUSTOMER	
			Rev.		A	
			Sheet		1 of 3	

REV F - 2006-04-17



Copyright FCI.



RECOMMENDED PCB LAYOUT
 FOR DIFFERENTIAL APPLICATIONS
 COMPONENT SIDE
 (TWO ADJACENT FOOTPRINTS SHOWN)
 NOTES 6, 7, 8, & 12

	Title	ZipLine R/A REC ASSY	dwg no	10088322	Rev.	A
		6 PR, 12 IMLA, 1.8MM PITCH, 21.6MM, HP SPECIAL				
	catalog no	-	CUSTOMER	sheet 2 of 3		

PRODUCT NUMBER	PRESS-FIT TAIL PLATING TYPE
10088322-101	TIN/LEAD ALLOY OVER NICKEL
10088322-101LF	TIN OVER NICKEL (LEAD FREE)

- ① - CONNECTOR MATERIALS:
HOUSING: HIGH TEMP THERMOPLASTIC, BLACK, UL94-V0
IMLA PLASTIC: HIGH TEMP THERMOPLASTIC, BLACK, UL94-V0
CONTACT: COPPER ALLOY
ORGANIZER: STAINLESS STEEL
- 2 - CONTACT PLATING:
SEPARABLE INTERFACE:
PERFORMANCE-BASED PLATING, QUALIFIED TO MEET THE REQUIREMENTS OF FCI PRODUCT SPECIFICATION GS-12-452 INCLUDING TELCORDIA GR-1217-CORE (NOVEMBER 1995) CENTRAL OFFICE TEST SEQUENCE
- PRESS-FIT TAILS: SEE TABLE
- 3 - PRODUCT SPECIFICATION: GS-12-452
- 4 - APPLICATION SPECIFICATION: GS-20-094
- ⑤ - PRODUCT MARKING, (PART NUMBER & LOT CODE), ON THIS SURFACE.
- ⑥ - THE MINIMUM CENTERLINE SPACING BETWEEN ADJACENT MODULES IS 21.6MM.
- ⑦ - THERE IS NO GROUND BUSSING WITHIN THE CONNECTOR EXCEPT FOR POSITIONS R2,R4,R6,R8,R10,& R12. THESE MUST BE ASSIGNED AS GROUNDS.

- ⑧ - REFER TO CUSTOMER DRAWING 10045979 FOR INFORMATION ON PCB HOLE DIAMETERS AND PLATING OPTIONS
- 9 - LEAD FREE PRODUCT MEETS THE EUROPEAN UNION DIRECTIVES & OTHER COUNTRY REGULATIONS AS DESCRIBED IN GS-22-008
- 10 - THE HOUSING WILL WITHSTAND EXPOSURE TO 260°C PEAK TEMPERATURE FOR 40 SECONDS IN A CONVECTION, INFRA-RED, OR VAPOR PHASE REFLOW OVEN.
- 11 - PACKAGING MEETS GS-14-920 LEAD FREE LABELING SPECIFICATION.
- ⑫ - THIS PRODUCT CONTAINS A CUSTOM LOAD PATTERN. THE DIFFERENTIAL PAIRS WITHIN COLUMNS HAS BEEN REVESED FROM STANDARD PRODUCT.



Copyright FCI.

	title	ZipLine R/A REC ASSY	dwg no	10088322	Rev.	A
	part no	6 PR, 12 IMLA, 1.8MM PITCH, 21.6MM, HP SPECIAL		customer		sheet 3 of 3
	catalog no					