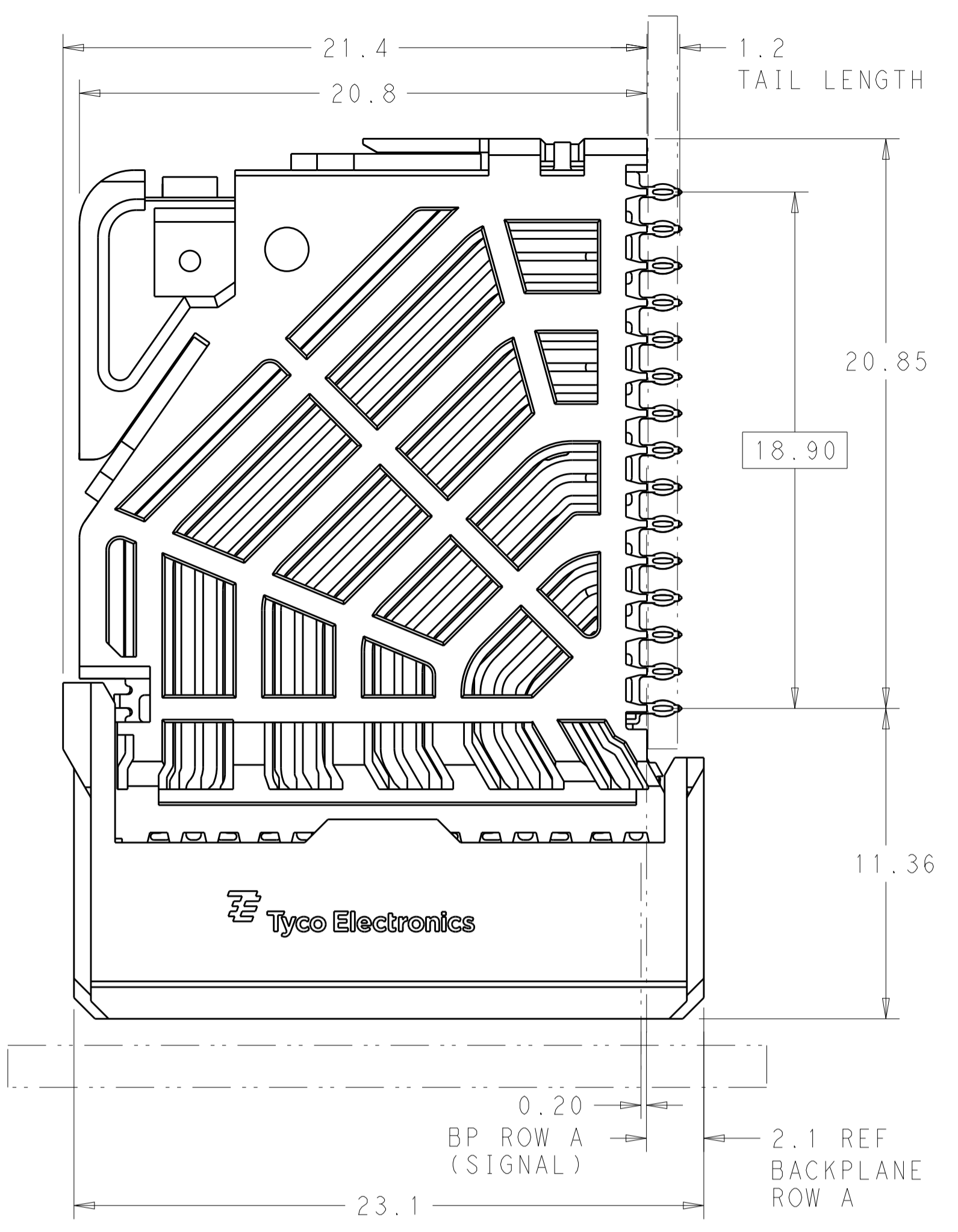
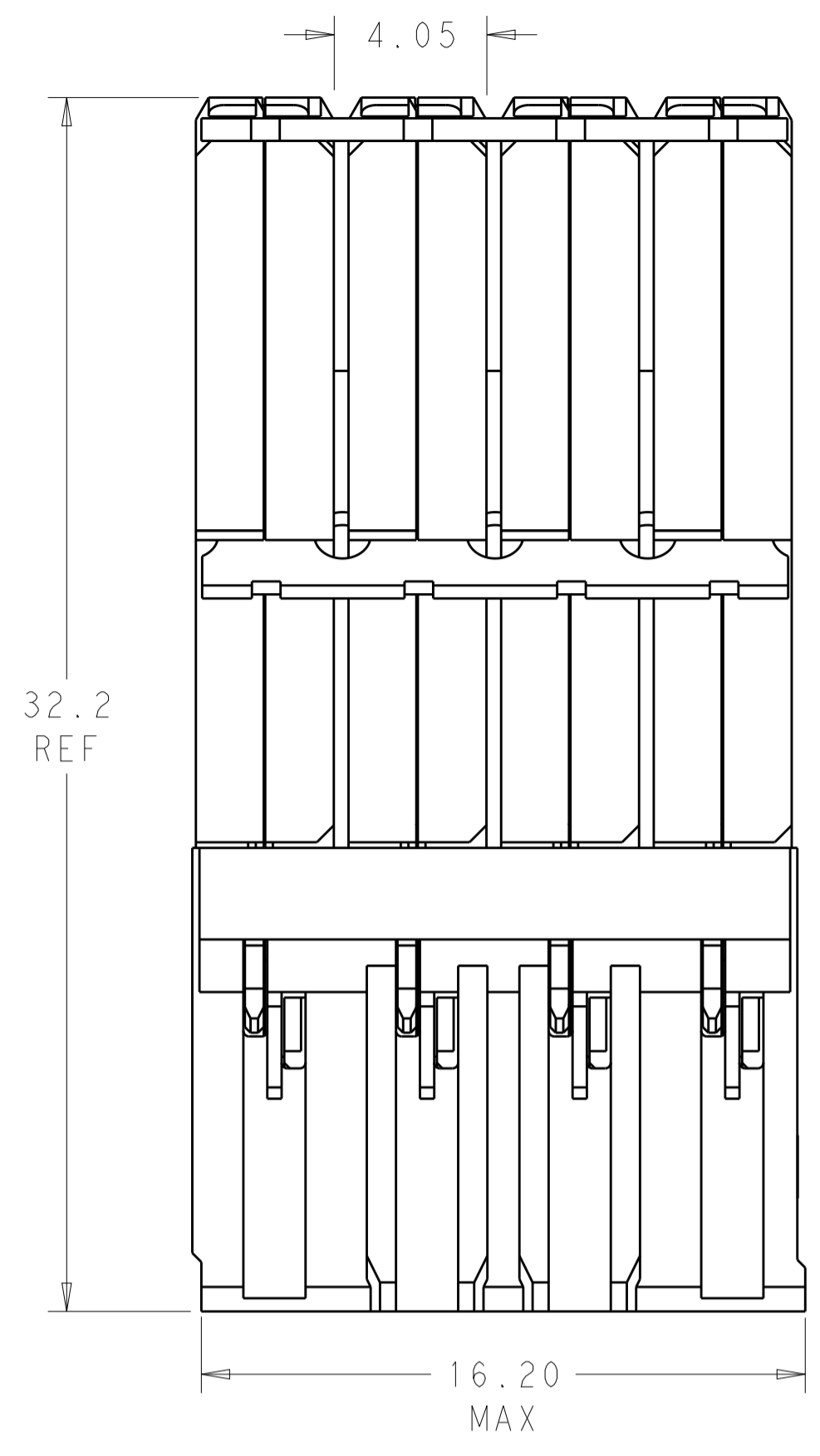
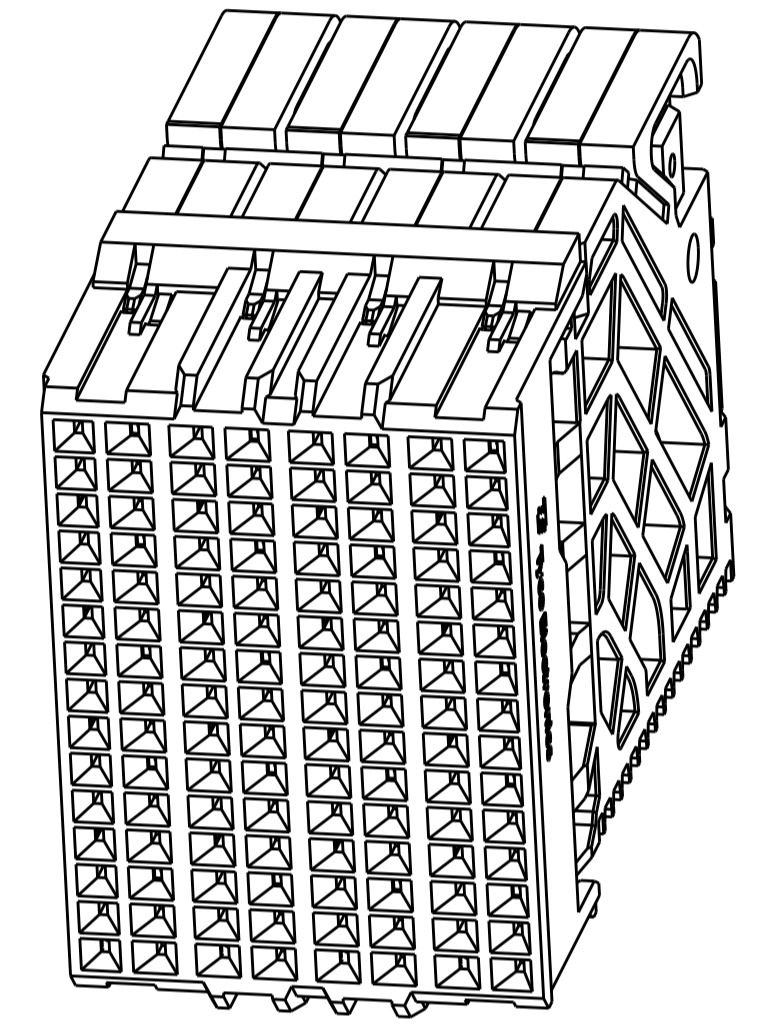


LOC		DIST		REVISIONS			
AD	00	P	LTN	DESCRIPTION	DATE	DWN	APVD
		D		REVISED PER ECO-15-004915	13APR2015	AP	DD



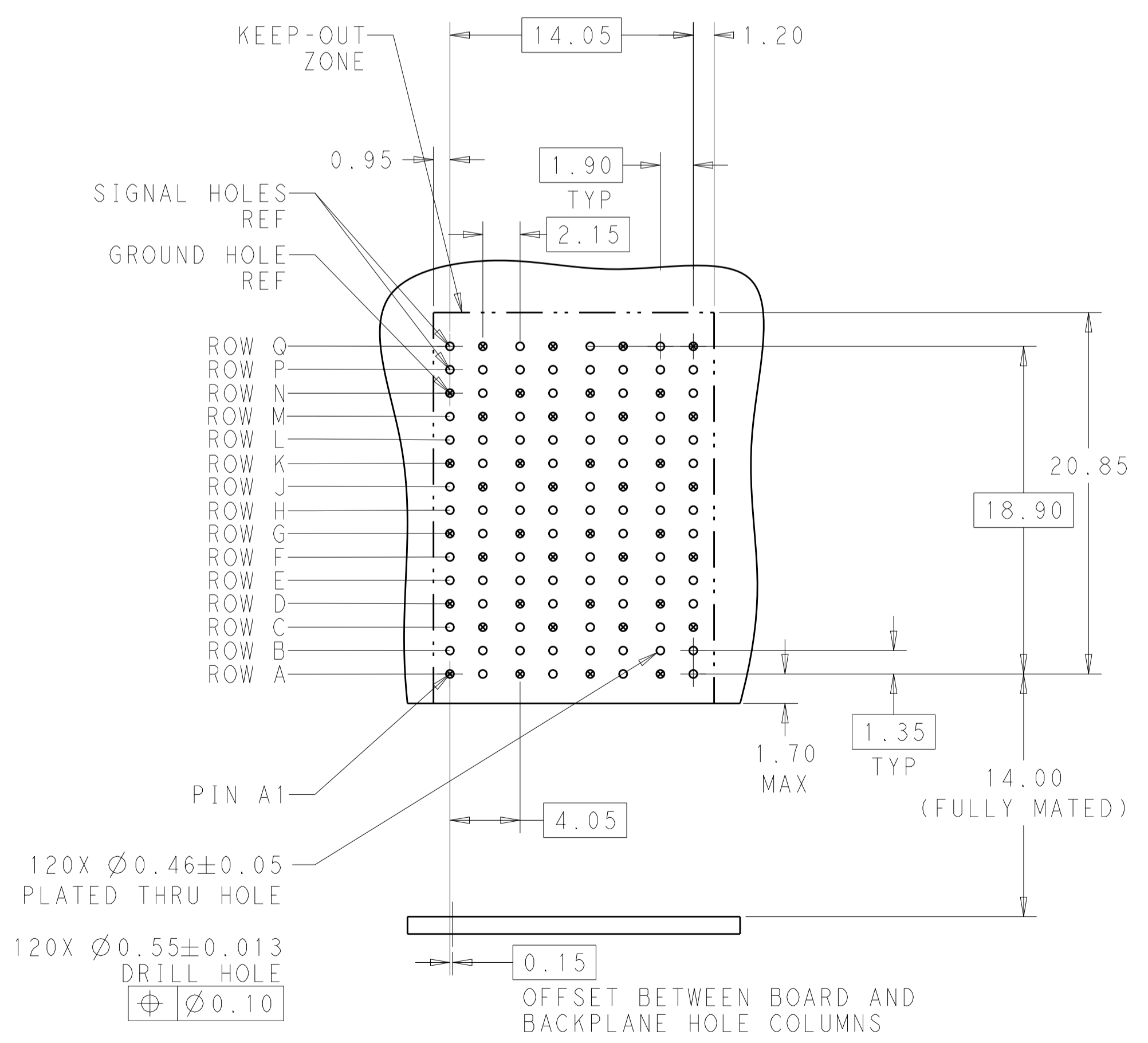
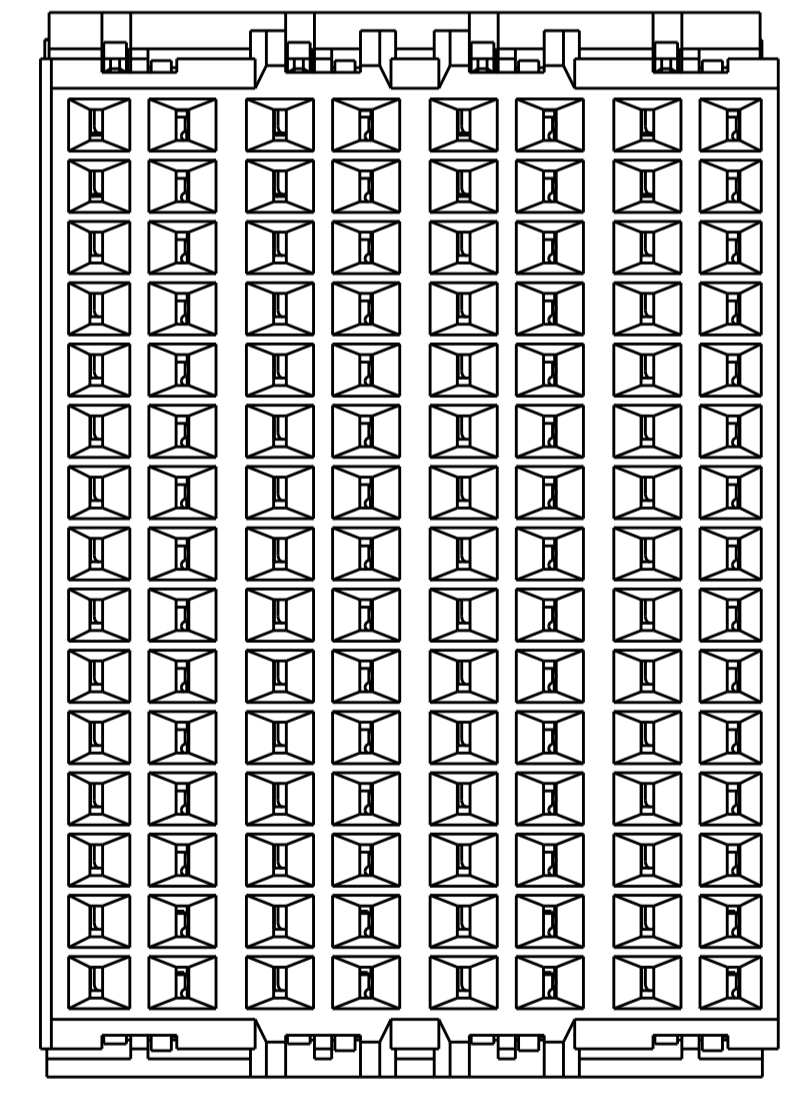
⚠ MATERIAL:
 HOUSING: LCP, GLASS FILLED, UL94V-0.
 TERMINALS: HIGH PERFORMANCE COPPER ALLOY.

⚠ FINISH:
 30µ" SELECTIVE GOLD IN CONTACT AREA. SELECTIVE TIN ON PCB TAILS, NICKEL OVERALL.



SCALE 4:1

REFER TO WWW.TE.COM FOR PRODUCT AVAILABILITY



120X Ø0.46±0.05 PLATED THRU HOLE

120X Ø0.55±0.013 DRILL HOLE
 Ⓢ Ø0.10

OFFSET BETWEEN BOARD AND BACKPLANE HOLE COLUMNS

RECOMMENDED PCB LAYOUT
 MIN BOARD THICKNESS 1.0

NONE	⚠	2132701-1
KEY POSITION	FINISH	PART NUMBER

THIS DRAWING IS A CONTROLLED DOCUMENT.		DWN	29APR2011	TE Connectivity NAME: IMPACT. ORTHOGONAL, 5 PAIR, DAUGHTERCARD, 8 COLUMN, NO GUIDE, SIGNAL MODULE, 0.46 EYELET SIZE: CAGE CODE: DRAWING NO: RESTRICTED TO: A100779C=2132701
DIMENSIONS:		CHK	29APR2011	
TOLERANCES UNLESS OTHERWISE SPECIFIED:		APVD	29APR2011	
0 PLC ± 1 PLC ±0.25 2 PLC ±0.15 3 PLC ± 4 PLC ± ANGLES ±		PRODUCT SPEC	APPLICATION SPEC	
MATERIAL		WEIGHT		CUSTOMER DRAWING
FINISH SEE TABLE		SCALE	6:1	SHEET 1 OF 1 REV D