

INTERCONNECTS

SERIES 850, 851, 852, 853 • .050" GRID SOLDER CUP HEADERS AND SOCKETS • SINGLE AND DOUBLE ROW STRIPS

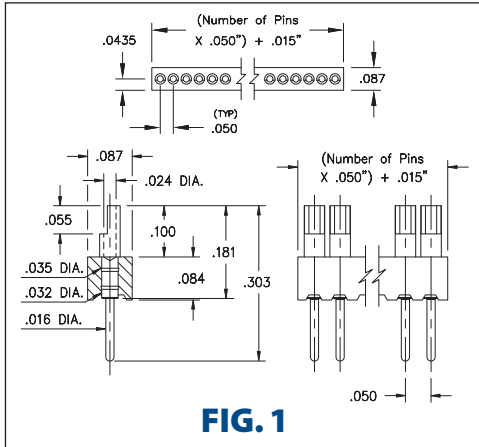


FIG. 1

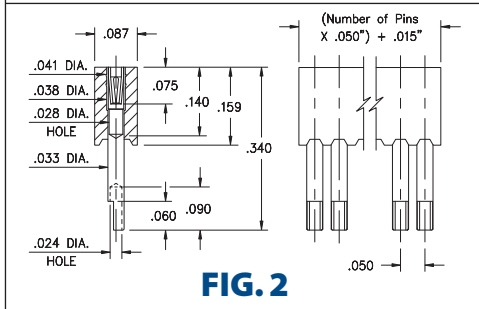


FIG. 2

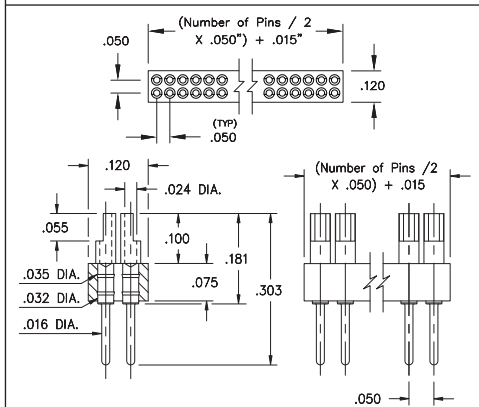


FIG. 3

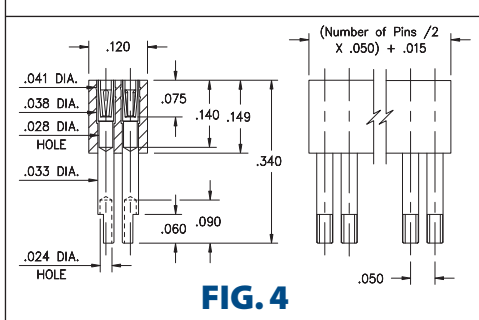
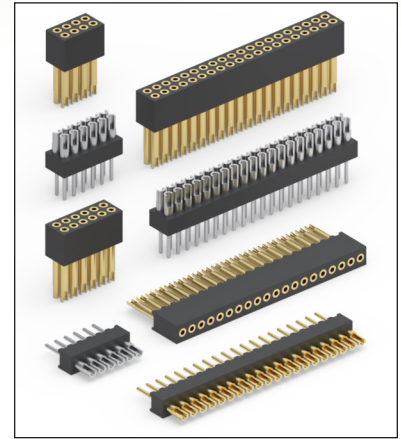


FIG. 4

- Solder cups are pre-aligned and accept up to 26 AWG wire
- Series 850 and 852 headers use MM #3050-0 pins. See page 244 for details
- Series 851 and 853 sockets use MM #1157-0 receptacles that accept pin diameters from .015"-.020". See page 160 for details
- Receptacles use Hi-Rel, 3-finger BeCu #11 contact rated at 3 amps. See page 251 for details
- Insulators are high temperature thermoplastic, suitable for all soldering operations



ORDERING INFORMATION

| | | | | | | |
|---------------------------------|-------------------------------|--|------------|--|--|--|
| FIG. 1 | Series 850...003 | Single Row Solder Cup / Solder Tail | | | | |
| | | 850-XX-0 | -10-003000 | | | |
| | Specify number of pins | | 01-50 | | | |
| FIG. 2 | Series 851...003 | Single Row Solder Cup Sockets | | | | |
| | | 851-XX- | -10-003000 | | | |
| | Specify number of pins | | 01-50 | | | |
| | | | | | | |
| SPECIFY PLATING CODE XX= | | 10 | | | | |
| Pin Plating | | | 10 μ" Au | | | |

| | | | | | | |
|---------------------------------|-------------------------------|--|------------|--|--|--|
| FIG. 3 | Series 852...003 | Double Row Solder Cup / Solder Tail | | | | |
| | | 852-XX-0 | -10-003000 | | | |
| | Specify number of pins | | 002-100 | | | |
| FIG. 4 | Series 853...003 | Double Row Solder Cup Sockets | | | | |
| | | 853-XX- | -10-003000 | | | |
| | Specify number of pins | | 002-100 | | | |
| | | | | | | |
| SPECIFY PLATING CODE XX= | | 13 | | | | |
| Sleeve (Pin) | | | 10 μ" Au | | | |
| Contact (Clip) | | | 30 μ" Au | | | |

