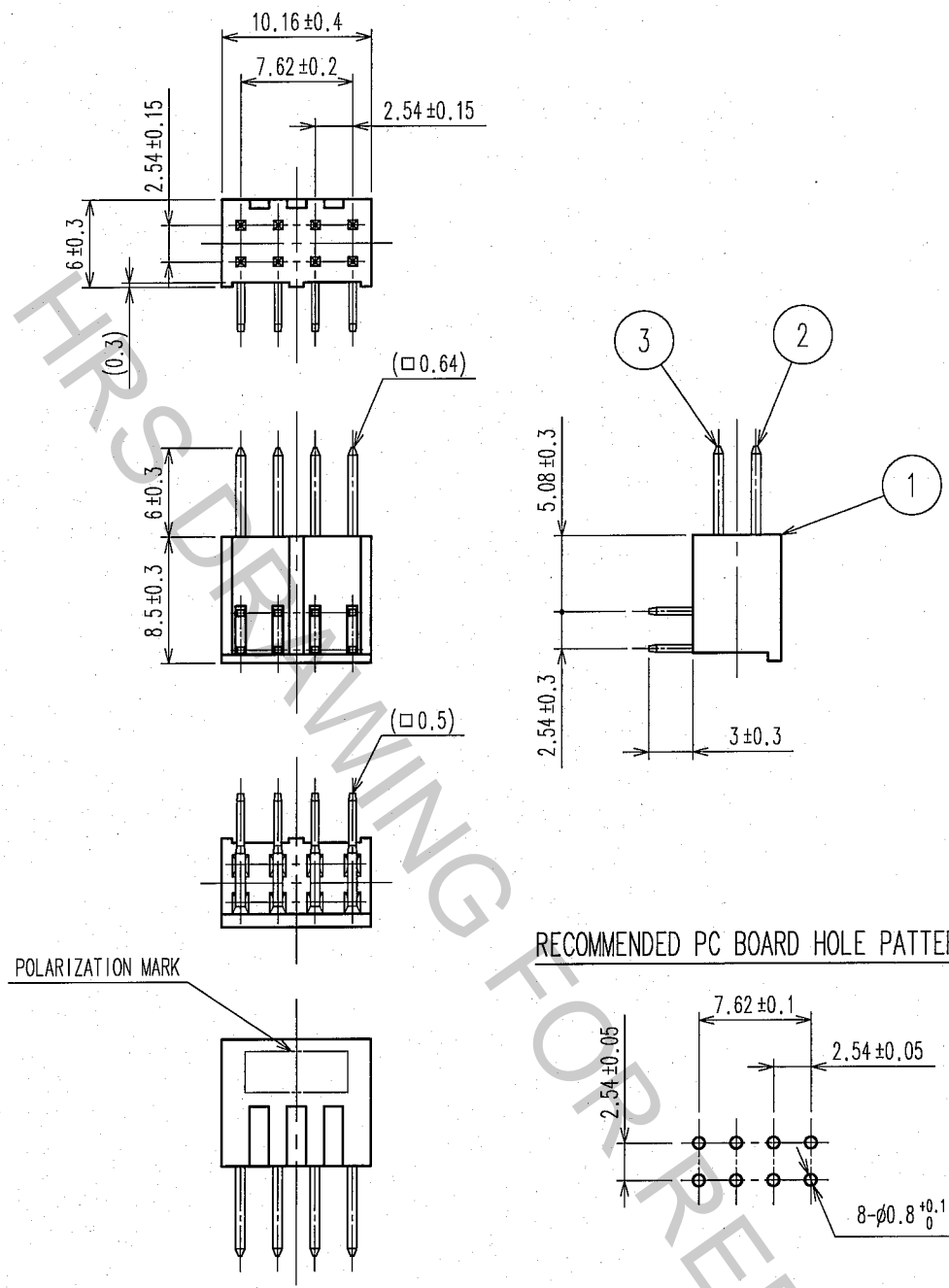


1			2			3			4		
COUNT	DESCRIPTION OF REVISIONS	BY	CHKD	DATE	COUNT	DESCRIPTION OF REVISIONS	BY	CHKD	DATE		
△					△						
△					△						
△					△						



RECOMMENDED PC BOARD HOLE PATTERN

NOTE 1. THE DIMENSIONS IN PARENTHESES ARE FOR REFERENCE.

1	PBT	BLACK UL94V-0	2, 3	BRASS	CONTACT AREA : GOLD 0.2μ m min. DIP AREA : TIN-PLATING 2μ m min. UNDER PLATING : NICKEL 2.5μ m min.
NO.	MATERIAL	FINISH, REMARKS	NO.	MATERIAL	FINISH, REMARKS

CODE NO. (OLD) CL	DRAWN K.NAKAMURA	DESIGNED K.NAKAMURA	CHECKED H. Ozawa	APPROVED H. Okawa	RELEASED
	07.02.01	07.02.01	07.02.01	07.02.01	

<p>SCALE 2 : 1</p> <p>UNITS mm</p>	DRAWING NO. EDC4-018580-21	PART NO. A1-8PA-2.54DS(71)
	<p>HIROSE ELECTRIC CO.,LTD.</p>	CODE NO. CL619-0016-4-71

TO

1/1