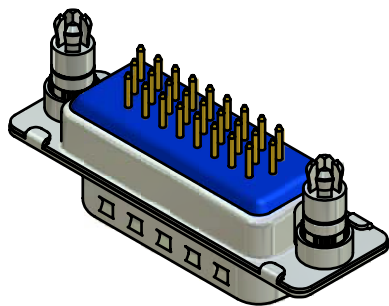
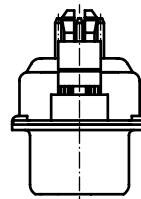
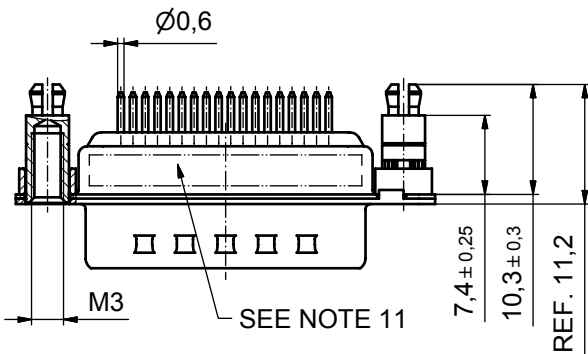
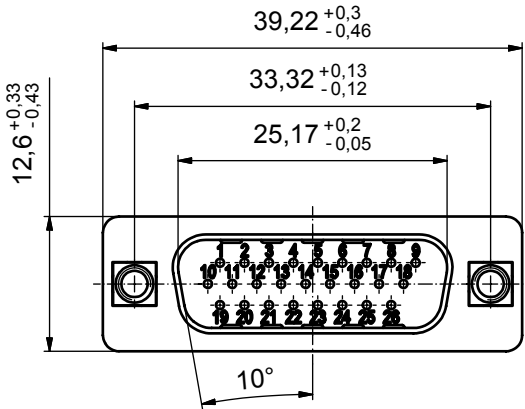
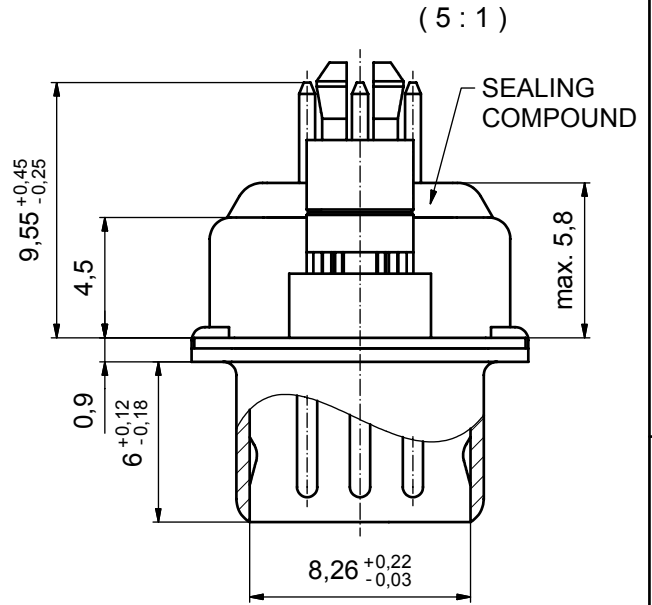


P.C.B. HOLE DRILLINGS



NOTES:

1. RoHS COMPLIANT
2. SUITABLE FOR WAVE SOLDERING
3. METALSHELLS: STEEL; min. 315µm TIN over 40-80µm NICKEL
4. INSULATORS: HIGH TEMPERATURE PLASTIC UL 94 V-0, BLACK
5. CONTACTS: COPPER ALLOY  
PLATING: 8µm HARD GOLD over min. 50µm NICKEL  
CONTACT TAILS PRETINNED
6. THREADED SPACER CLIP: COPPER ALLOY; min. 200µm TIN over 80µm NICKEL  
PCB-HOLE: ø3,1 ± 0,1mm; PCB-THICKNESS: 1,6mm
7. COLLAR: COPPER ALLOY; min. 200µm TIN over 80µm NICKEL
8. DIELECTRIC WITHSTANDING VOLTAGE: 300 VDC
9. CAPACITANCE: 830pF ± 20%
10. MAXIMUM TORQUE VALUE FOR THREAD: 6 in. LB
11. CONNECTOR IS PART MARKED: 241A20890X CONEC ABC

Directive 2002/95/EC  
 „RoHS“  
 Compliant

APPROVAL # FREIGABE # DEBLOCAGE # AUTORIZACION # APPROVAL	
CUSTOMER APPROVAL DATE:	
NAME:	TITLE:
COMPANY NAME:	
APPROVAL # FREIGABE # DEBLOCAGE # AUTORIZACION # APPROVAL	

THIS DRAWING MAY NOT BE COPIED OR REPRODUCED IN ANY WAY, AND MAY NOT BE PASSED ON TO A THIRD PARTY WITHOUT WRITTEN PERMISSION. OWNERSHIP AND COPYRIGHT OF CONEC GmbH			
DO NOT ALTER CAD DRAWING BY HAND			
rev.	description	date	name
a	Origin		

tolerance	dim. in mm
date	name
drawn	18.07.07 Letzmenkühler
appd.	18.07.07 Kühle
norm	
d-old	

scale:	2:1 (5:1)	
material:	SEE NOTES	
title:	D-SUB HD FILTER MALE 26pos. SOLDER PIN STRAIGHT with threaded spacer clip	
dwg no:	Inventor 10	DIN-A3
	24K1A1028	sh: 1
part no:	241A20890X	

