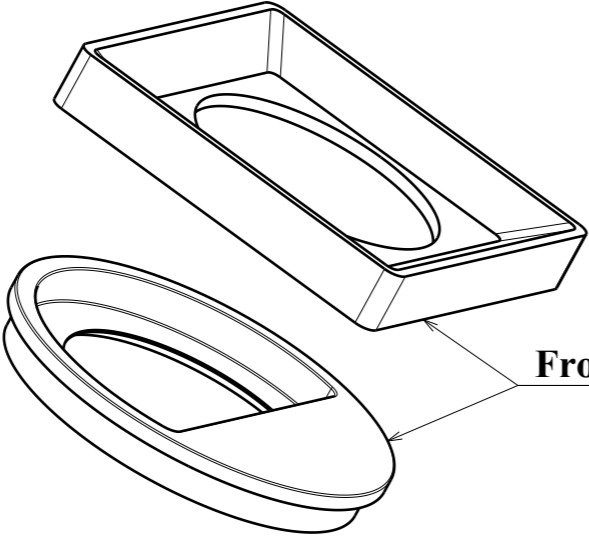
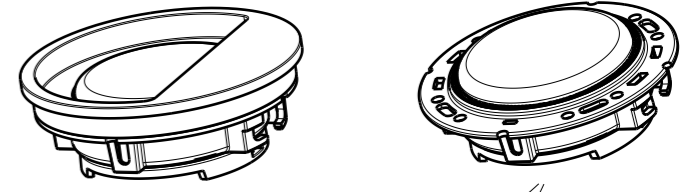


H G F E D C B A

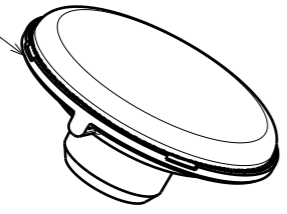


**Front plate examples**



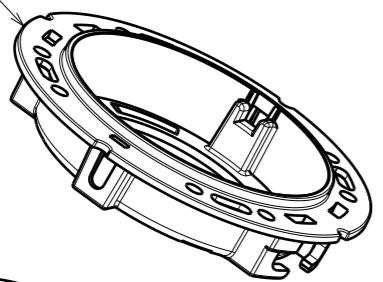
**Examples**

D=49.9

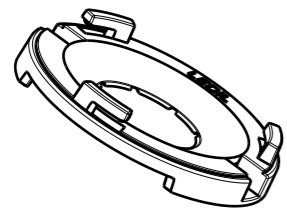


**Optic**

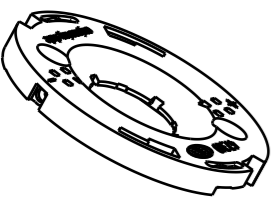
D=69.9mm



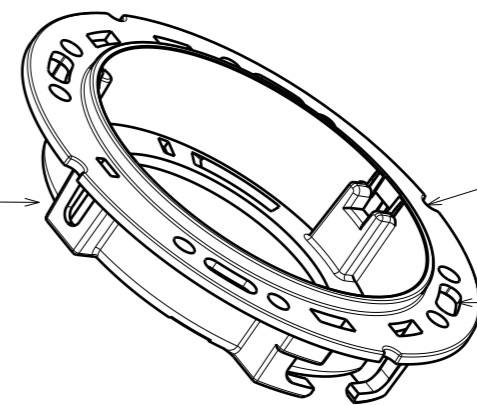
**Ledil-clamp / TE / Bender-wirth / other twist and lock socket types (holder A)**



**BJB and Stucchi 50mm (holder B)**



**Horizontal fix: M3 Nut + bolt**



**Rotation fix**

**Vertical fix: M3 Screw / Twist and lock / Snap**



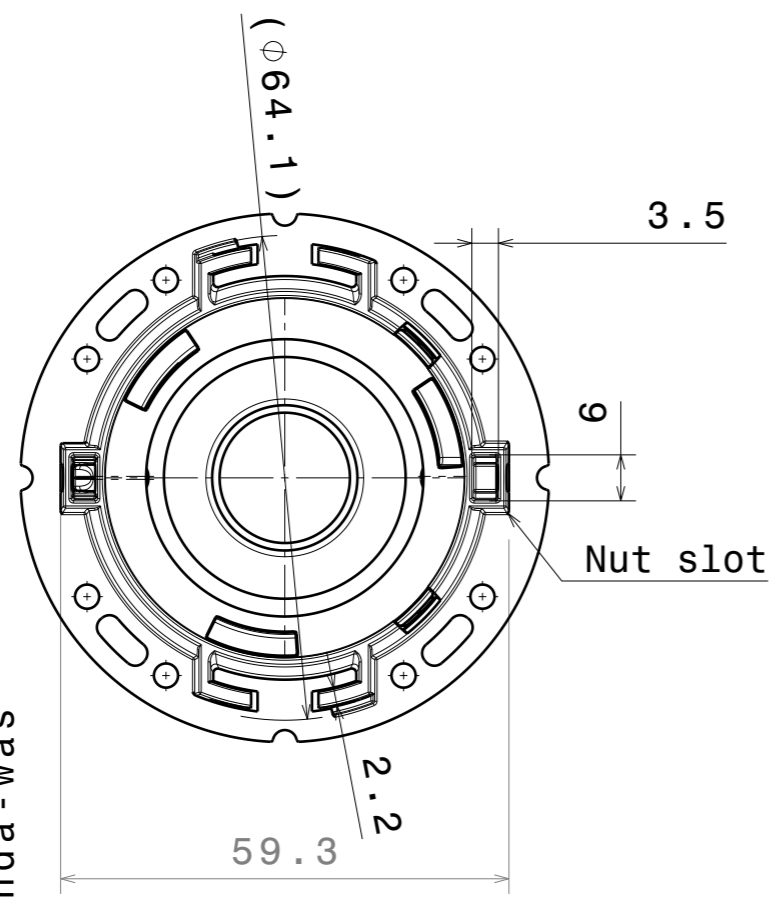
**LES size up to ~14mm, see compatibility [www.ledil.com](http://www.ledil.com)**

See more details on page 2 and 3

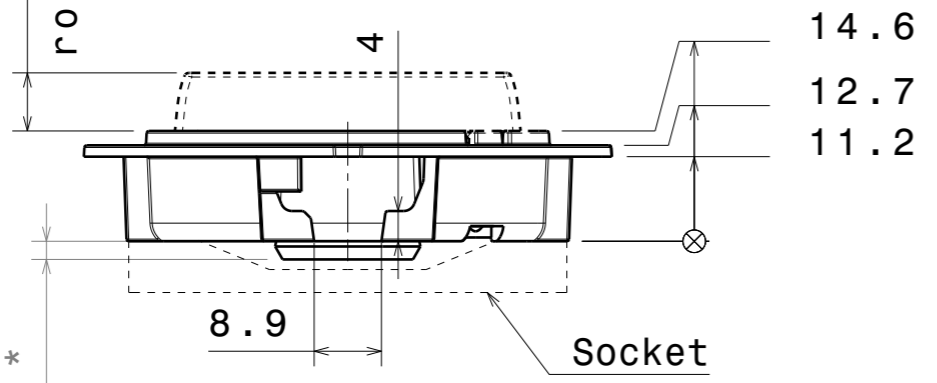
Tolerances if not otherwise shown According to DIN ISO 2768-1 Linear measures: up to 30mm class M, otherwise class C According to DIN ISO 2768-2 Form and position: class L		<b>LEDiL</b> Ledil Oy Salorankatu 10 FIN 24240 SALO Finland	
THIRD ANGLE PROJECTION:		DRAWING TITLE <b>RONDA-family</b>	
This drawing is the property of LEDiL Oy. It may not be reproduced, copied or communicated without a written agreement with LEDiL Oy.		SIZE <b>A3</b>	PART NUMBER -
		SCALE 1:1	WEIGHT -
		SHEET 1/3	

H G B A

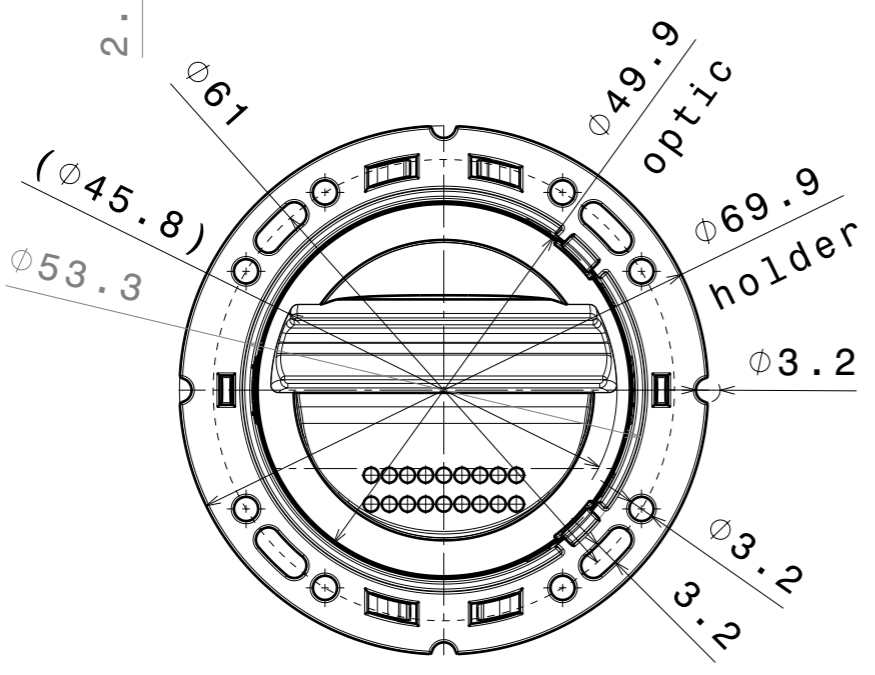
Bottom view



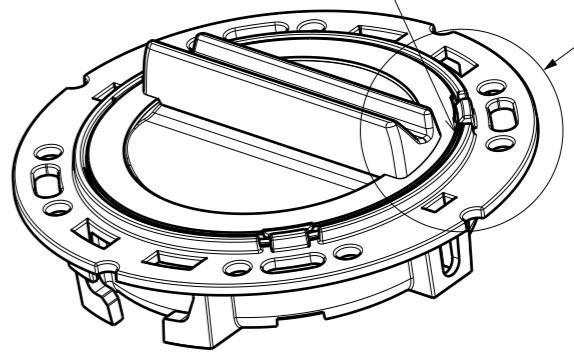
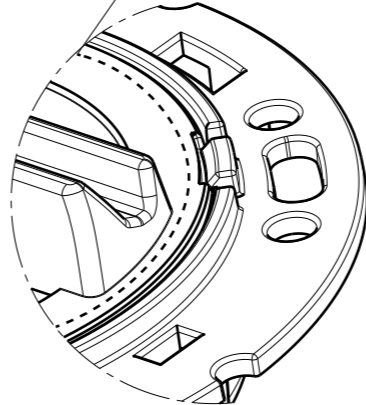
Front view



Top view



Front panel location suggestion when seamless look needed



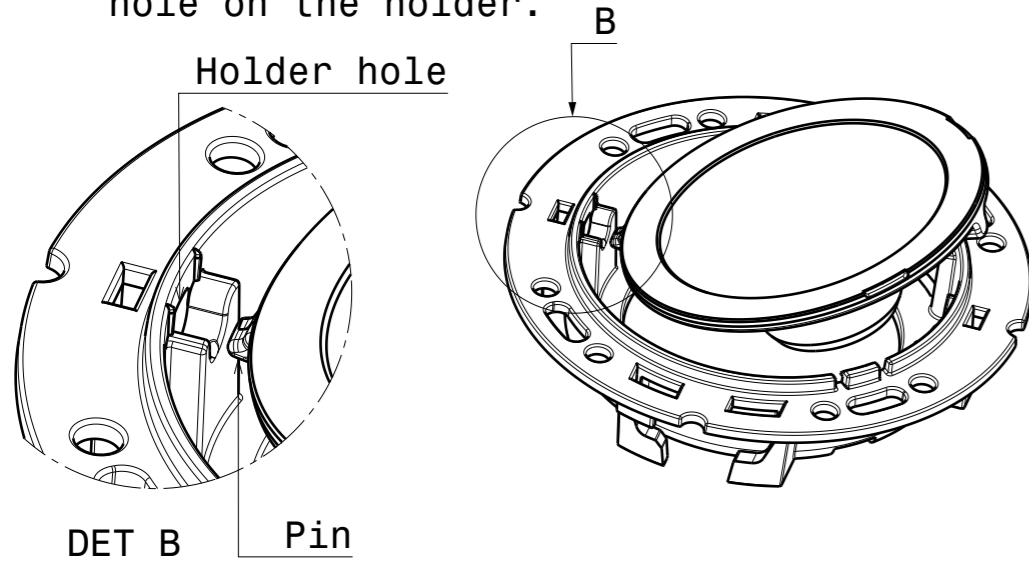
Isometric view

\* Ensure from 3d according specific optic version

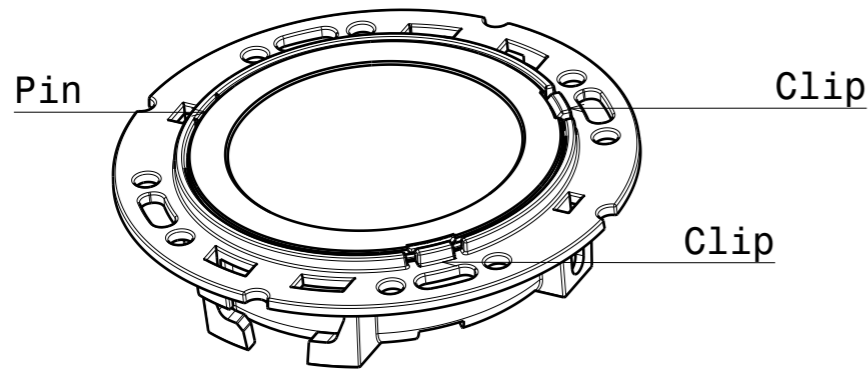
Tolerances if not otherwise shown According to DIN ISO 2768-1 Linear measures: up to 30mm class M, otherwise class C According to DIN ISO 2768-2 Form and position: class L		<b>LEDiL</b> Ledil Oy Salorankatu 10 FIN 24240 SALO Finland	
THIRD ANGLE PROJECTION:		DRAWING TITLE <b>RONDA-family</b>	
This drawing is the property of LEDiL Oy. It may not be reproduced, copied or communicated without a written agreement with LEDiL Oy.		SIZE <b>A3</b>	PART NUMBER -
		SCALE 1:1	WEIGHT -
		SHEET 2/3	

**OPTIC/HOLDER ASSEMBLY**

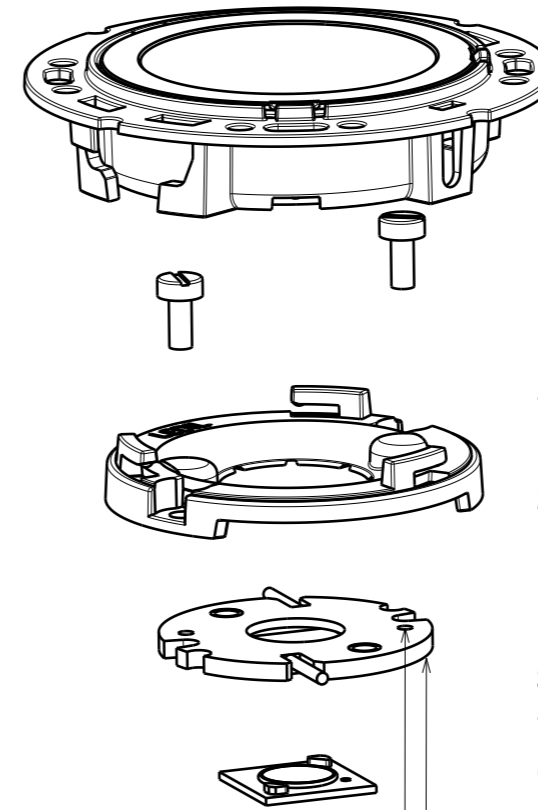
1. Place pin on the side of the lens into relative hole on the holder.



2. Press the lens under clips on the holder, ensuring both clips are fixed.



**TYPICAL CONNECTOR ASSEMBLY (including solderless BENDER WIRTH as example)**



1. Ensure correct relation of clamp and connector before screwing. Recommended torque 0.6Nm.

2. Assemble LED, BENDER&WIRTH connector and C13658\_CLAMP-VER013-18 clamp on heatsink with M3 screw.

3. Attach optic by aligning the holes in the holder with hooks and turning the optic holder clockwise until it locks.

Bender&Wirth model 4xx Typ L1

Align clamp positioning pin with holes in the connector.

Tolerances if not otherwise shown  
According to DIN ISO 2768-1  
Linear measures:  
up to 30mm class M, otherwise class C  
According to DIN ISO 2768-2  
Form and position: class L

**LEDiL** LediL Oy  
Salorankatu 10  
FIN 24240 SALO  
Finland

THIRD ANGLE PROJECTION:

DRAWING TITLE  
**RONDA-family**

This drawing is the property of LEDiL Oy. It may not be reproduced, copied or communicated without a written agreement with LEDiL Oy.

SIZE	PART NUMBER		
A3	-		
SCALE	1:1	WEIGHT	-
SHEET		3/3	