



SERIES: VF-S250-XXA | **DESCRIPTION:** AC-DC POWER SUPPLY

FEATURES

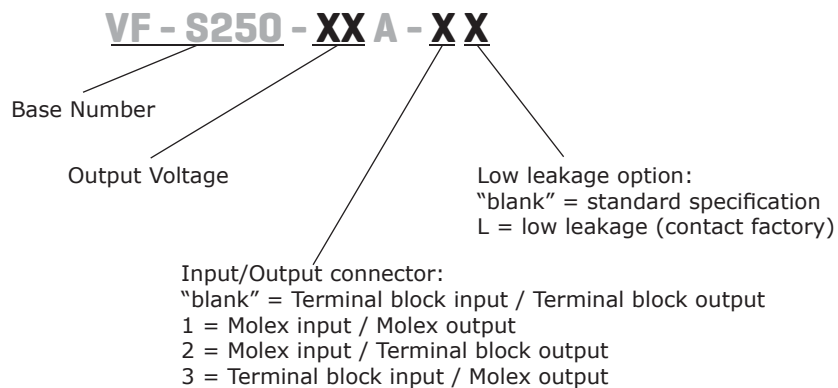
- up to 250 W continuous power
- 600 W peak power within 500 μ s duty duration
- passive power factor correction
- power good signal
- remote on/off control
- 3000 Vac isolation voltage
- over load, over voltage, over temperature, and short circuit protections
- UL, cUL, and TUV 60950-1 safety approvals
- efficiency up to 85%



| MODEL | output voltage | output current | output power | ripple and noise | efficiency |
|-------------|----------------|----------------|--------------|----------------------------|------------|
| | (Vdc) | max (A) | max (W) | max (mVp-p) ^{2,3} | typ (%) |
| VF-S250-05A | 5 | 40 | 200 | 50 | 75% |
| VF-S250-09A | 9 | 25 | 225 | 90 | 83% |
| VF-S250-12A | 12 | 20.83 | 250 | 120 | 80% |
| VF-S250-15A | 15 | 16.67 | 250 | 150 | 83% |
| VF-S250-18A | 18 | 13.89 | 250 | 180 | 83% |
| VF-S250-24A | 24 | 10.42 | 250 | 240 | 83% |
| VF-S250-28A | 28 | 8.93 | 250 | 280 | 83% |
| VF-S250-36A | 36 | 6.93 | 250 | 360 | 83% |
| VF-S250-48A | 48 | 5.21 | 250 | 480 | 83% |
| VF-S250-54A | 54 | 4.63 | 250 | 540 | 83% |

Notes: 1. Maximum power must not exceed 135 W with convection cooling or 250 W for forced air. 5 and 9 V models maximum current listed.
 2. 1% minimum load is required to maintain the ripple and regulation.
 3. Ripple and noise is measured from 10 KHz to 20 MHz at output terminals with a 0.1 μ F ceramic capacitor and a 22 μ F electrolytic capacitor in parallel.

PART NUMBER KEY



INPUT

| parameter | conditions/description | min | typ | max | units |
|----------------|---|--------|-----|----------|--------|
| voltage | 90-132/180-264 auto selectable | 90/180 | | 132/264 | Vac |
| frequency | | 47 | | 63 | Hz |
| current | at 110~120 Vac, cold start at 200~240 Vac, cold start | | | 6 3 | A A |
| inrush current | at 115 Vac, cold start at 230 Vac, cold start | | | 35 70 | A A |
| power factor | compliant to EN 61000-3-2 class A | | | | |
| remote on/off | designated as RMSW on the CN1, requires a low signal to inhibit output, hiccup mode | | | | |

OUTPUT

| parameter | conditions/description | min | typ | max | units |
|-------------------------|---|-----|------|-----|-------|
| line regulation | low line to high line | | ±1 | | % |
| load regulation | all other outputs | | ±1 | | % |
| temperature coefficient | | | 0.25 | | mV/°C |
| transient response | output voltage returns to within 1% in less than 2.5 ms for a 50% load change peak transient does not exceed 5%. | | | | |
| start-up time | at 120 Vac | | | 1 | s |
| rise time | | 0.2 | | 20 | ms |
| hold-up time | at 120 Vac and 80% of rated maximum load | 20 | | | ms |
| adjustability | | | ±5 | | % |
| power good | designated as PG on the CN1, signal goes high 100~500 ms after the output reaches regulation, signal goes low at least 1 ms before loss of regulation | | | | |
| fan drive | 12 Vdc / 300 mA for external fan | | | | |

PROTECTIONS

| parameter | conditions/description | min | typ | max | units |
|-----------------------------|---|-----|-----|-----|-------|
| over voltage protection | AC input needs to be reset to restart the power supply | | | 130 | % |
| over current protection | automatically recovers | | 110 | 140 | % |
| short circuit protection | short circuit can be continuous, recovers automatically upon removal of short | | | | |
| over temperature protection | auto recovery | | | 85 | °C |

SAFETY & COMPLIANCE

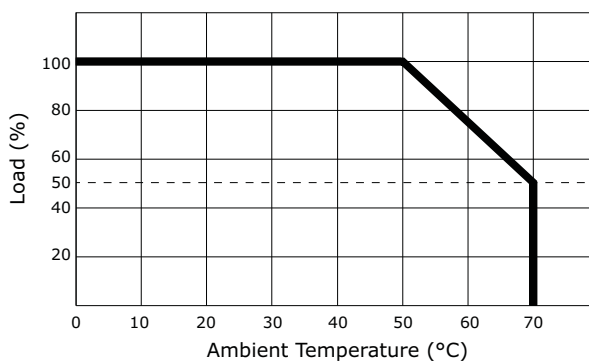
| parameter | conditions/description | min | typ | max | units |
|-------------------|--|-------------------------|-----|-----|-------------------|
| isolation voltage | for 3 seconds at 10 mA max primary to secondary: primary to transformer core: primary to earth chassis: | 3,000 1,500 1,500 | | | Vac Vac Vac |
| safety approvals | UL 60950-1, CSA C22.2 No. 60950-1, TUV EN 60950-1 and CB | | | | |
| EMI/EMC | CISPR 22/EN 55022 class B, EN 61000-3-2, 3, EN 61000-4-2, 3, 4, 5, 6, 8, 11, EN 55024 CE marked (LVD) | | | | |
| leakage current | at 240 Vac, (optional for 500 µA at 240 Vac, 300 µA at 120 Vac) | | | 1.5 | mA |
| MTBF | according to MIL-HDBK-217 at 30°C | 100,000 | | | hrs |
| RoHS compliant | yes | | | | |

ENVIRONMENTAL

| parameter | conditions/description | min | typ | max | units |
|-----------------------|---|-----|-----|-----|-------|
| operating temperature | | 0 | | 70 | °C |
| storage temperature | | -20 | | 85 | °C |
| operating humidity | non-condensing | 5% | | 90% | % |
| storage humidity | non-condensing | 5% | | 95% | % |
| vibration | acceleration ± 7.35 M/(SxS), on X, Y and Z Axis | 5 | | 50 | Hz |

DERATING CURVE

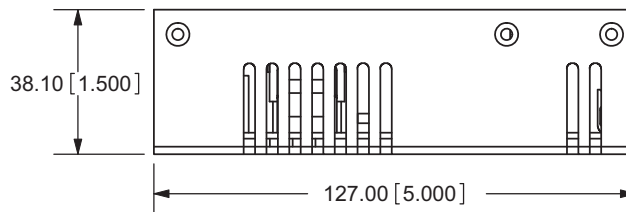
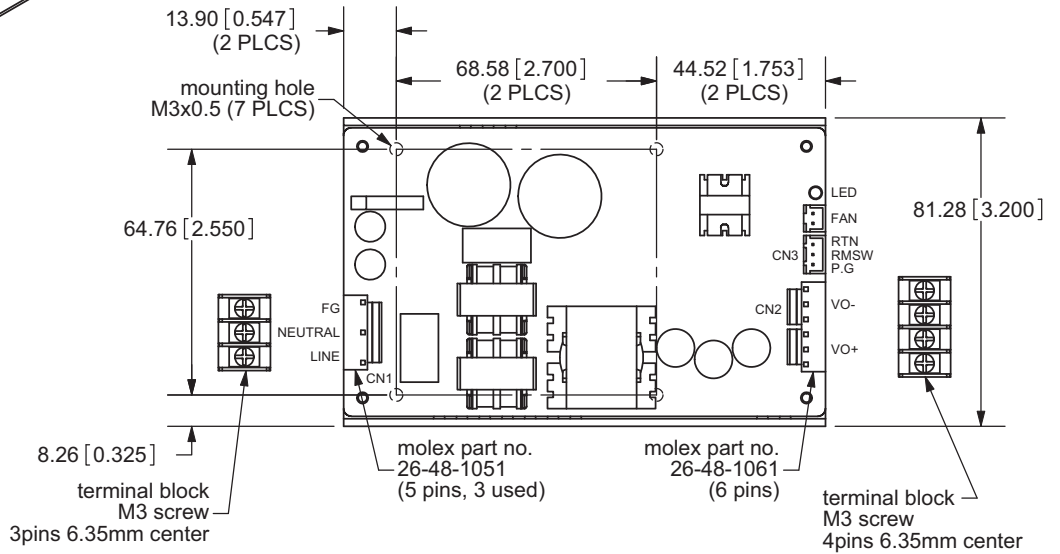
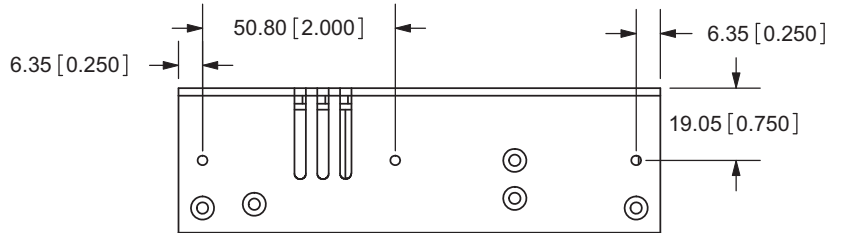
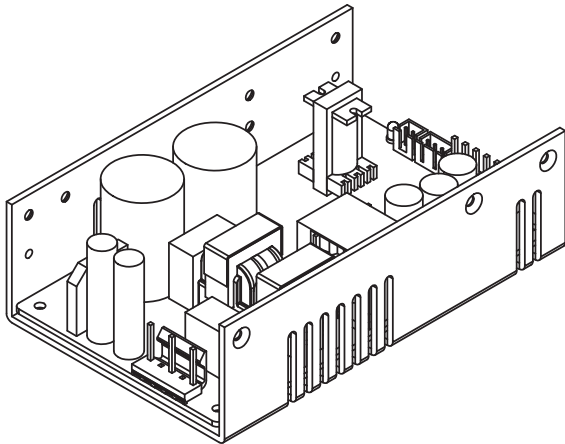
output power vs. ambient temperature



MECHANICAL

| parameter | conditions/description | min | typ | max | units |
|------------|---|-----|-----|-----|-------|
| dimensions | 127.00 x 81.28 x 38.10 (5 x 3.2 x 1.5 inch) | | | | mm |
| weight | | | 400 | | g |

MECHANICAL DRAWING



| CN1 | |
|-----|------------|
| 1 | ground |
| 2 | ac neutral |
| 3 | ac line |

| CN2 | |
|-----|-----|
| 1 | Vo+ |
| 2 | Vo+ |
| 3 | Vo+ |
| 4 | Vo- |
| 5 | Vo- |
| 6 | Vo- |

| CN3 | |
|-----|---------------|
| 1 | Power Good |
| 2 | remote switch |
| 3 | RTN |

- Notes:
1. CN1 mates with molex part no. 09-93-0500 and molex 2478, 2578, 8818 crimp pins.
 2. CN2 mates with molex part no. 09-93-0600 and molex 2478, 2578, 8818 crimp pins.
 3. CN3 mates with JST part no. XHP-3 or equivalent (Chyao Shiunn JS-2001-03) and JST SXH-002T-P0.6 mating pins
 4. Fan drive connector mates with JST part no. XHP-2 or equivalent.
 5. Mounting hole maximum M3 screw depth 3.8mm

REVISION HISTORY

| rev. | description | date |
|------|---|------------|
| 1.0 | initial release | 05/5/2009 |
| 1.01 | new template applied | 12/16/2011 |
| 1.02 | V-Infinity branding removed | 08/28/2012 |
| 1.03 | updated Molex mating connector part numbers | 07/11/2013 |
| 1.04 | updated spec | 08/13/2013 |

The revision history provided is for informational purposes only and is believed to be accurate.



Headquarters
20050 SW 112th Ave.
Tualatin, OR 97062
800.275.4899

Fax 503.612.2383
cui.com
techsupport@cui.com

CUI offers a two (2) year limited warranty. Complete warranty information is listed on our website.

CUI reserves the right to make changes to the product at any time without notice. Information provided by CUI is believed to be accurate and reliable. However, no responsibility is assumed by CUI for its use, nor for any infringements of patents or other rights of third parties which may result from its use.

CUI products are not authorized or warranted for use as critical components in equipment that requires an extremely high level of reliability. A critical component is any component of a life support device or system whose failure to perform can be reasonably expected to cause the failure of the life support device or system, or to affect its safety or effectiveness.