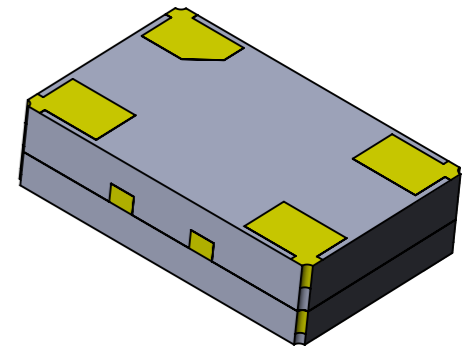
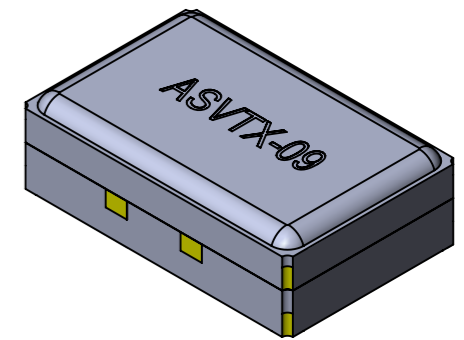
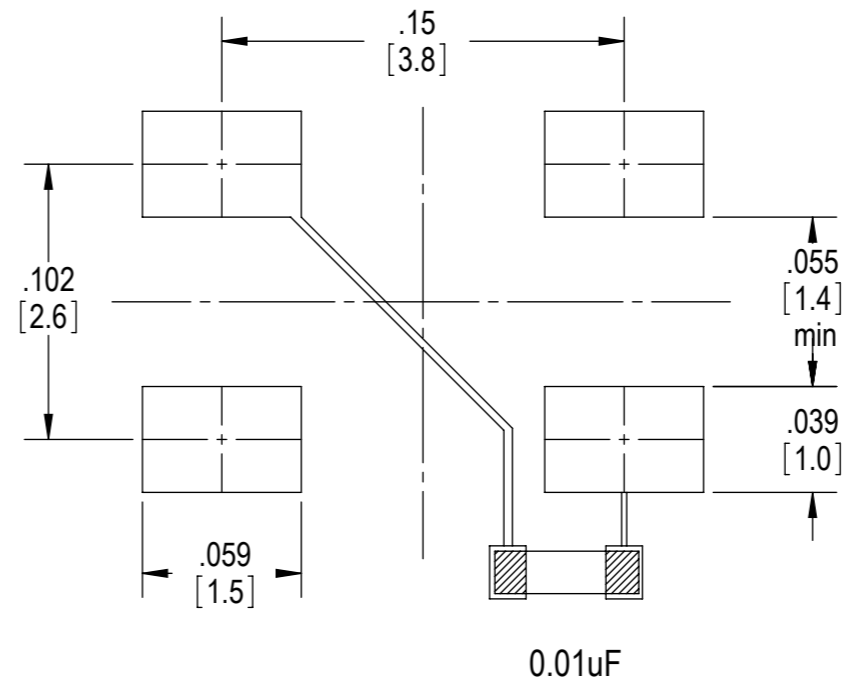


PIN	FUNCTION
1	Vcc/NC*
2	GND
3	Output
4	Vdd

*NC for ASTX-09 only



Recommended Land Pattern



Note: The outline package may vary.
Electrical properties, pin configuration, and land pattern are the same.

Note: Recommended using an approximately
0.01uF bypass capacitor between PIN 2 and 4.

UNLESS OTHERWISE SPECIFIED: DIMENSIONS ARE IN INCH(MM) SURFACE FINISH: TOLERANCES: LINEAR: ANGULAR:		FINISH:	DEBUR AND BREAK SHARP EDGES	DO NOT SCALE DRAWING	REVISION
NAME	SIGNATURE	DATE		 30332 Esperanza, Rancho Santa margarita, California 92688	
DRAWN	XXXXXX				
CHK'D	XXXXXX			TITLE: VOLTAGE CONTROLLED TEMPERATURE COMPENSATED CRYSTAL OSCILLATOR	
APPV'D				DWG NO.	A3
MFG				ASVTX-09	
Q.A			MATERIAL:	SCALE:16:1	SHEET 1 OF 1
			WEIGHT:		